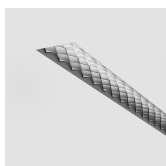


LE LOUVRE™ - CONTINUOUS RECESSED



Project Name:

Fixture Type:

Fixture Code:

Quantities:

A. LUMINAIRE

LELR1R Direct

.One power cord for every 50 linear feet.

B. LENGTH OF RUN

SFG_ _

Minimum length to order is 4ft and orders to be in 2ft increments.

Example: 4ft = SFG04

Example: 10ft = SFG10

Example: 50ft = SFG50

For runs over 50ft in length, consult factory.

C. MAX LENGTH PER SECTION

SL04 4ft

SL06 6ft

SL08 8ft

SL10 10ft

SL12 12ft

You can select the preferred maximum length per segment, to account for transportation and building constraints. Example: If a 40ft run is required and SL12 (12ft) is selected, we would provide 4 10ft segments. For special requirements, please contact sales@betacalco.com.

D. LOUVER

LV1 Frosted

LV2 Black

LV4 Satin Chrome

LV6 Satin Gold

LV9 Satin Champagne

E. LM/FT

LPF010 100 lm/ft

LPF020 200 lm/ft

LPF030 300 lm/ft

LPF040 400 lm/ft

LPF050 500 lm/ft

LPF060 600 lm/ft

LPF070 700 lm/ft

LPF080 800 lm/ft

LPF100 1000 lm/ft

LPF120 1200 lm/ft

Lumens/ft are determined by the color of the Louver. Consult website for available lumens/ft based on selected louver.
All data shown based on DD3 diffuser.

F. CRI

CR80 CRI 80+

CR90 CRI 90+

G. CCT

CTA30 3000K

CTA35 3500K

CTA40 4000K

H. DIFFUSER

DD1 Asymmetric diffuser ¹

DD4 Comfort diffuser

¹ Recommended for use with Frosted louver only. When standing at the end view of the profile on the side where the power cord is installed, the asymmetric beam will aim to the right.

LE LOUVRE™ - CONTINUOUS RECESSED

I. VOLTAGE

V1 120/277V

V2 240V¹

V3 347V²

V4 Low Voltage³

¹ Not available in North America.

² Only available with DA01 dimming.

³ Only available with DA45.

J. DIMMING

DA01 0-10V Dimming 1.0%

DA02 0-10V Dimming 0.1%¹

DA20 DALI Dimming 0.1%¹

DA21 DALI Dimming 1.0%¹

DA30 DSI/switchDim²

DA45 PoE³

¹ Not available with 347V.

² Not available in North America.

³ Only available with V4.

K. CEILING TYPE & TRIM

RT1 Tegular ceiling¹

RT2 T-Bar ceiling²

RT3 Trimless³

RT4 Trim³

¹ Fixture designed to fit into a 9/16" or 15/16" standard tegular grid T-bar and through tile mount. Dimensions are nominal for grid ceiling fixtures. All fixture metalwork is white.

² Fixture designed to fit into a 9/16" or 15/16" standard grid T-bar and through tile mount. Dimensions are nominal for grid ceiling fixtures. All fixture metalwork is white.

³ Fixture designed for drywall ceilings. All fixture metalwork is white.

L. EMERGENCY

E0 Not required

E1 Emergency system - Integral

E3 Emergency generated circuit¹

¹ A drawing will be required at time of ordering to determine the required number and location of the emergency sections or generator circuits. ¹ Available upon request, consult factory for details. Not available with 347V.

M. CHICAGO PLENUM

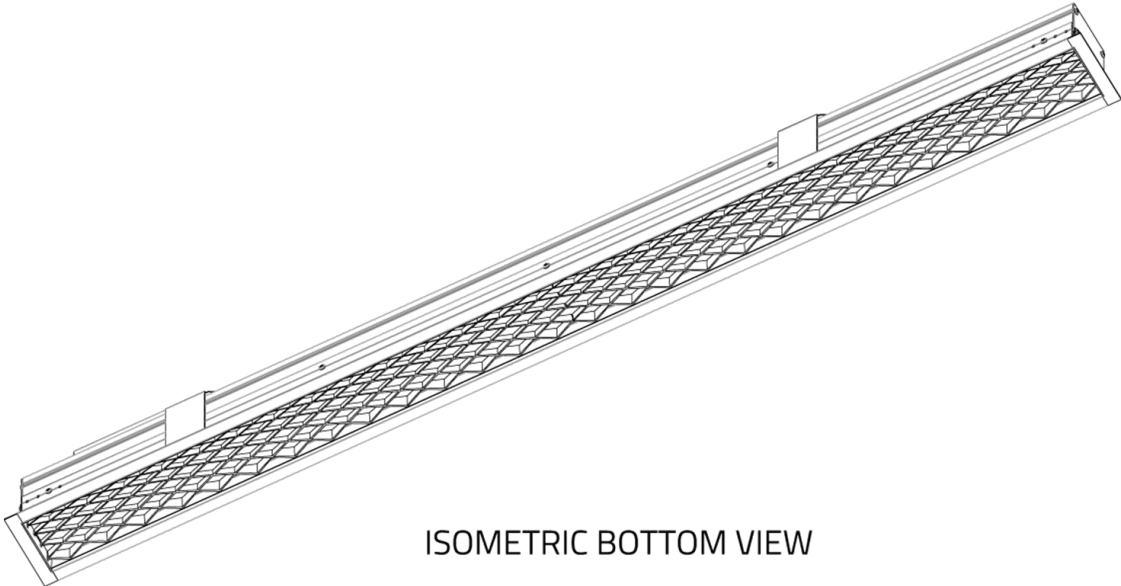
CP0 Not required

CP1 Chicago Plenum



LE LOUVRE™ - CONTINUOUS RECESSED

DIMENSIONAL DIAGRAMS

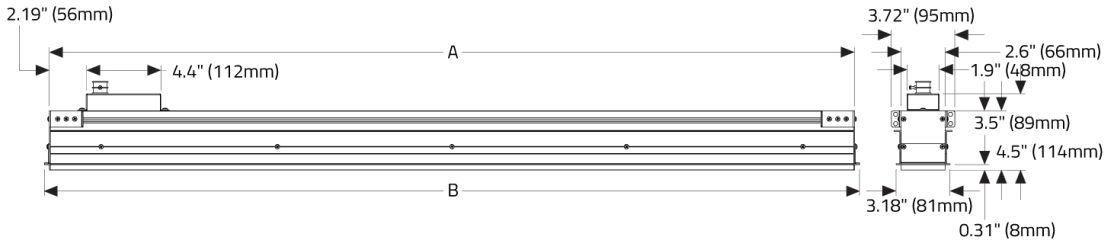


Top View
(Asymmetric Light Direction)



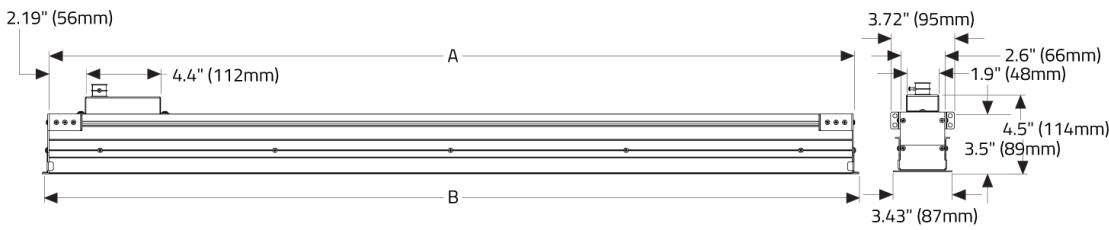
LE LOUVRE™ - CONTINUOUS RECESSED

Grid Ceiling - Tegular ceiling



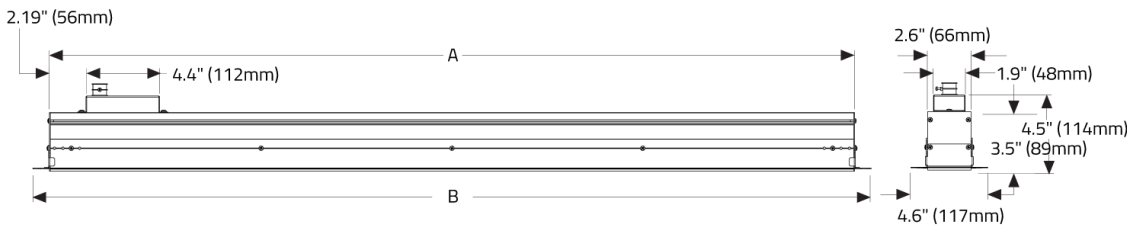
Max Length (Per section)	A	B
4ft	46.82" (1189mm)	47.7" (1212mm)
6ft	70.82" (1791mm)	71.7" (1821mm)
8ft	94.82" (2408mm)	95.7" (2431mm)
10ft	118.82" (3018mm)	119.7" (3040mm)
12ft	142.82" (3627mm)	143.7" (3650mm)

Grid Ceiling - T-bar ceiling



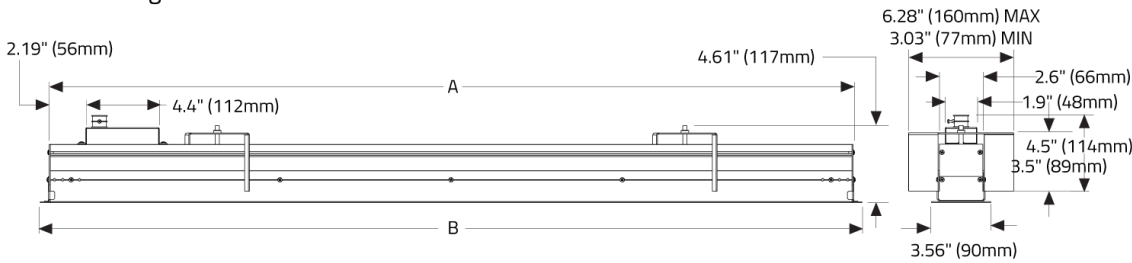
Max Length (Per section)	A	B
4ft	46.82" (1189mm)	47.7" (1212mm)
6ft	70.82" (1791mm)	71.7" (1821mm)
8ft	94.82" (2408mm)	95.7" (2431mm)
10ft	118.82" (3018mm)	119.7" (3040mm)
12ft	142.82" (3627mm)	143.7" (3650mm)

Hard Ceiling - Trimless



Max Length (Per section)	A	B
4ft	48.1" (1222mm)	50.1" (1273mm)
6ft	72.1" (1831mm)	74.1" (1882mm)
8ft	96.1" (2431mm)	98.1" (2492mm)
10ft	120.1" (3050mm)	122.1" (3040mm)
12ft	144.1" (3660mm)	146.1" (3711mm)

Hard Ceiling - Trim



Max Length (Per section)	A	B
4ft	48.1" (1222mm)	59.04" (1246mm)
6ft	72.1" (1831mm)	73.04" (1855mm)
8ft	96.1" (2431mm)	97.04" (2465mm)
10ft	120.1" (3050mm)	121.04" (3074mm)
12ft	144.1" (3660mm)	145.04" (3684mm)