

LE LOUVRE SYSTEMS™ - SUSPENDED

Project Name:

Fixture Type:

Fixture Code:

Quantities:

A. CHOOSE A MODULE

Make a selection from one of the following 7 sections. One power cord for every 50 linear feet. Connection parts for each section are shipped separately for on site assembly. Project drawings are not required for this product.

STRAIGHT SECTIONS 2FT

LE1PSL02 2ft middle section Direct

LE1PSM02 2ft middle section with power cord Direct

LE1PSN02 2ft section with end cap Direct

LE1PSP02 2ft section with end cap and power cord Direct

Available as Direct only.

STRAIGHT SECTIONS 4FT

LE1PSL04 4ft middle section Direct

LE1PSM04 4ft middle section with power cord Direct

LE1PSN04 4ft section with end cap Direct

LE1PSP04 4ft section with end cap and power cord Direct

LE2PSL04 4ft middle section Direct/Indirect

LE2PSM04 4ft middle section with power cord Direct/Indirect

LE2PSN04 4ft section with end cap Direct/Indirect

LE2PSP04 4ft section with end cap and power cord Direct/Indirect

STRAIGHT SECTION 6FT

LE1PSL06 6ft middle section Direct

LE1PSM06 6ft middle section with power cord Direct

LE1PSN06 6ft section with end cap Direct

LE1PSP06 6ft section with end cap and power cord Direct

LE2PSL06 6ft middle section Direct/Indirect

LE2PSM06 6ft middle section with power cord Direct/Indirect

LE2PSN06 6ft section with end cap Direct/Indirect

LE2PSP06 6ft section with end cap and power cord Direct/Indirect

STRAIGHT SECTION 8FT

LE1PSL08 8ft middle section Direct

LE1PSM08 8ft middle section with power cord Direct

LE1PSN08 8ft section with end cap Direct

LE1PSP08 8ft section with end cap and power cord Direct

LE2PSL08 8ft middle section Direct/Indirect

LE2PSM08 8ft middle section with power cord Direct/Indirect

LE2PSN08 8ft section with end cap Direct/Indirect

LE2PSP08 8ft section with end cap and power cord Direct/Indirect

STRAIGHT SECTION 10FT

LE1PSL10 10ft middle section Direct

LE1PSM10 10ft middle section with power cord Direct

LE1PSN10 10ft section with end cap Direct

LE1PSP10 10ft section with end cap and power cord Direct

LE2PSL10 10ft middle section Direct/Indirect

LE2PSM10 10ft middle section with power cord Direct/Indirect

LE2PSN10 10ft section with end cap Direct/Indirect

LE2PSP10 10ft section with end cap and power cord Direct/Indirect

STRAIGHT SECTION 12FT

LE1PSL12 12ft middle section Direct

LE1PSM12 12ft middle section with power cord Direct

LE1PSN12 12ft section with end cap Direct

LE1PSP12 12ft section with end cap and power cord Direct

LE2PSL12 12ft middle section Direct/Indirect

LE2PSM12 12ft middle section with power cord Direct/Indirect

LE2PSN12 12ft section with end cap Direct/Indirect

LE2PSP12 12ft section with end cap and power cord Direct/Indirect

CORNER SECTION (28"X28" L SHAPE)

LE1PSL01 Corner with no end caps Direct

LE1PSM01 Corner middle with power cord Direct

LE1PSN01 Corner with Left end cap Direct

LE1PSN03 Corner with Right end cap Direct

LE1PSP01 Corner with Left end cap and power cord Direct

LE1PSP03 Corner with Right end cap and power cord Direct

LE2PSL01 Corner with no end caps Direct/Indirect

LE2PSM01 Corner middle with power cord Direct/Indirect

LE2PSN01 Corner with Left end cap Direct/Indirect

LE2PSN03 Corner with Right end cap Direct/Indirect

LE2PSP01 Corner with Left end cap and power cord Direct/Indirect

LE2PSP03 Corner with Right end cap and power cord Direct/Indirect



LE LOUVRE SYSTEMS™ - SUSPENDED

B. LOUVER

LV1 Frosted
LV9 Satin Champagne

LV2 Black

LV4 Satin Chrome

LV6 Satin Gold

C. LM/FT (DIRECT)

LPF010 100 lm/ft
LPF050 500 lm/ft
LPF100 1000 lm/ft

LPF020 200 lm/ft
LPF060 600 lm/ft
LPF120 1200 lm/ft

LPF030 300 lm/ft
LPF070 700 lm/ft

LPF040 400 lm/ft
LPF080 800 lm/ft

Lumens/ft are determined by the color of the Louver. Consult website for available lumens/ft. based on selected louver.

D. LM/FT (INDIRECT)

LPG000 Not required
LPG100 1000 lm/ft

LPG025 250 lm/ft
LPG120 1200 lm/ft

LPG050 500 lm/ft
LPG160 1600 lm/ft

LPG075 750 lm/ft

Consult website for available lumens/ft.
All data shown based on DD3 diffuser.

E. CRI

CR80 CRI 80+

CR90 CRI 90+

F. CCT (DIRECT)

CTA30 3000K

CTA35 3500K

CTA40 4000K

G. CCT (INDIRECT)

CTB00 Not required

CTB30 3000K

CTB35 3500K

CTB40 4000K

H. DIRECT DIFFUSER

DD1 Asymmetric diffuser ¹

DD4 Comfort diffuser

¹ Recommended for use with Frosted louver only. When standing at the end view of the profile on the side where the power cord is installed, the asymmetric beam will aim to the right.

I. UPLIGHT DIFFUSER

UD0 Not required

UD1 Clear diffuser (Batwing distribution) **UD3** Asymmetric diffuser ¹

¹ Available up to 1200 lm/ft.

J. BLACKOUT PLATE

UB00 Not required

UB_ _ Blackout plate ¹

¹ Available on a per foot basis. May be required to prevent lighting up duct work in a loft type application.

K. VOLTAGE

V1 120/277V

V2 240V ¹

V3 347V ²

V4 Low Voltage ³

¹ Not available in North America.

² Only available with DA01 dimming.

³ Only available with DA45 dimming.

LE LOUVRE SYSTEMS™ - SUSPENDED

L. DIMMING

DA01 0-10V Dimming 1.0%
DA30 DSI/switchDim ²

DA02 0-10V Dimming 0.1% ¹
DA45 PoE ³

DA20 DALI Dimming 0.1% ¹

DA21 DALI Dimming 1.0% ¹

¹ Not available with 347V.

² Not available in North America.

³ Only available with V4.

M. CEILING TYPE

G1 Grid ceiling ¹

H1 Hard ceiling ²

The cost for the canopies, power cables, connections mechanisms and endcaps for the fixture has been added to these items.

¹ Combo kit provided includes installation to T-bar and through tile mount.

² Designed for drywall ceilings.

N. SUSPENSION

HLA03 3ft cable suspension

HLA06 6ft cable suspension

HLA09 9ft cable suspension

O. FIXTURE FINISH

FA01 White

FA02 Black Metallic - Textured

FA20 Silver Metallic - Textured

FA25 Gold Metallic - Textured

FA27 Wood grain - Light Cherry ¹

FA28 Wood grain - Dark Walnut ¹

FA44 Midnight Blue Metallic - Textured

FA45 Copper Metallic

FA46 Charcoal Metallic - Textured

FA47 Bronze Metallic - Textured

FA52 Champagne Metallic

FA53 Red Metallic - Textured

¹ Longer than normal lead times may apply, consult factory.

P. CANOPY FINISH

CF01 White

CF02 Black Metallic - Textured

CF20 Silver Metallic - Textured

CF25 Gold Metallic - Textured

CF44 Midnight Blue Metallic - Textured

CF45 Copper Metallic

CF46 Charcoal Metallic - Textured

CF47 Bronze Metallic - Textured

CF52 Champagne Metallic

CF53 Red Metallic - Textured

Q. EMERGENCY

E0 Not required

E1 Emergency system - Integral

E3 Emergency generator circuit ¹

¹ A drawing will be required at time of ordering to determine the required number and location of the emergency sections or generator circuits. ¹ Available upon request, consult factory for details. Not available with 347V.

R. CIRCUITS

CS1 Single circuit

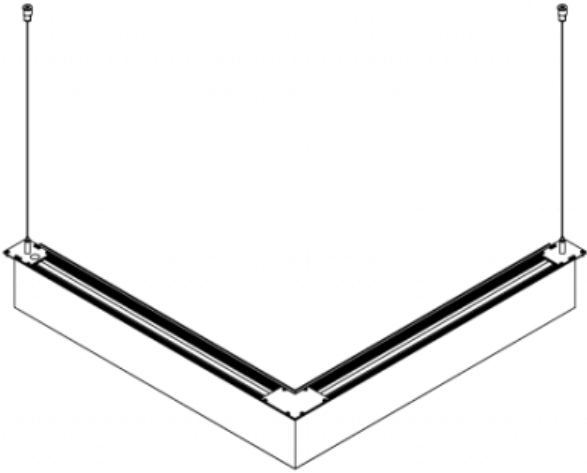
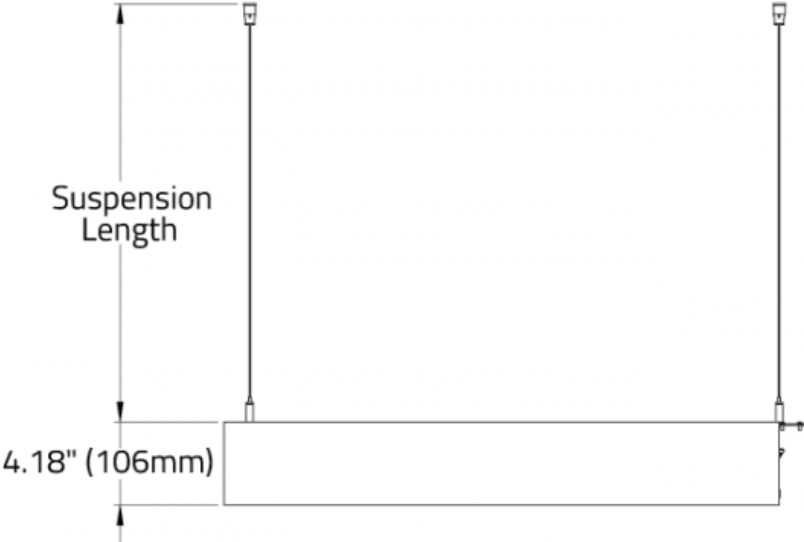
CS2 Dual circuit ¹

¹ Independent control of uplight for LELP2P.

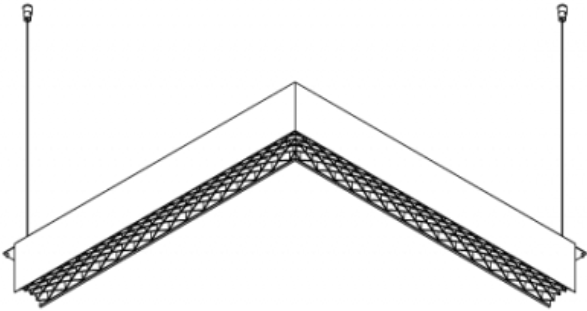
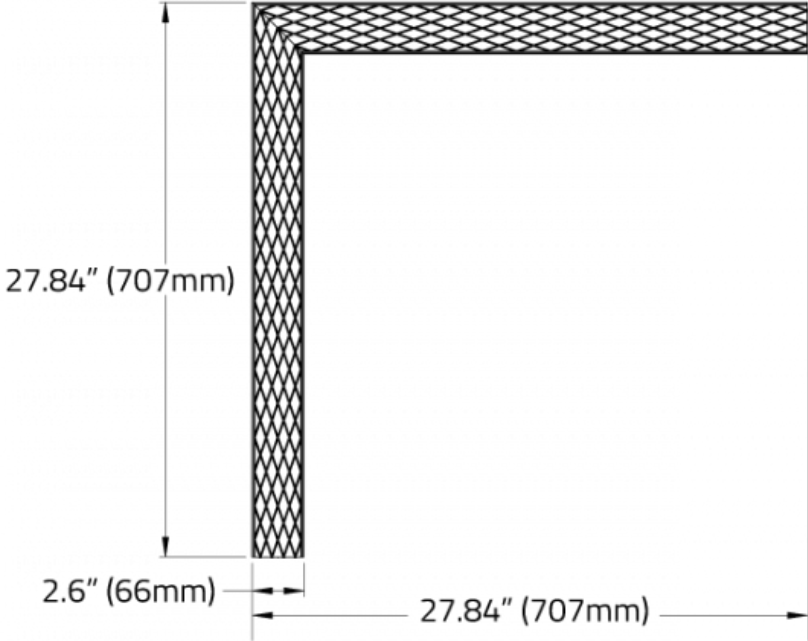
S. SENSORS

LE LOUVRE SYSTEMS™ - SUSPENDED

DIMENSIONAL DIAGRAMS



ISOMETRIC TOP VIEW



ISOMETRIC BOTTOM VIEW