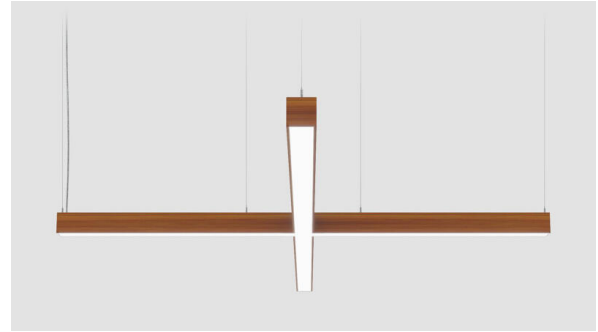




MACRO CROSS™

FULL SPECIFICATION SHEET



Fixture Type

Fixture Code

Quantities

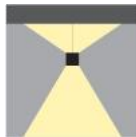
1 DESCRIPTION

The robust 4" linear profile takes the form of a cross, with dimensions ranging from 30" to 85" in length and width. Excellent light performance makes **MACRO CROSS** ideal for general illumination at standard ceiling heights. An indirect light option is available with either a clear or opal diffuser. Available in 3 neutral finishes, White, Black, and Silver Metallic; as well as 2 wood grain finishes Light Cherry and Dark Walnut. Three color temperatures are available plus monochromatic red, green, and blue. MACRO CROSS can integrate with your data network via Power over Ethernet.

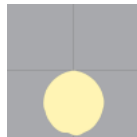
2 MOUNTING & OPTICS



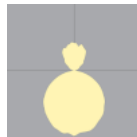
Suspended
Direct



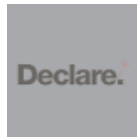
Suspended
Direct/Indirect



Direct



Direct-indirect



Declare



PoE

3 APPROVALS



4 GENERAL SPECIFICATION

BODY AND TRIM

Steel and aluminum.

POWER CABLE

Silver braided.

FINISH

Polyester powder coated. Canopy finishes as specified except for wood grain finishes where the canopy will be supplied white.

INTEGRAL EMERGENCY SYSTEM

Emergency option provides a 1.5 hour (3 hours for EU) emergency lighting facility. The self contained system includes the inverter module, NiCad batteries, LED charge indicator and test switch (NA only). Not available with a 347V supply.

POE

Macro Cross can integrate into your data network via Power over Ethernet (PoE) connectivity.

MECHANICAL

Luminaires mount directly over J box (by others – North America only).

SENSORS

Consult factory regarding sensor compatibility.

APPROVALS

Damp Rated.

DRIVERS

Integral, HPF electronic drivers for 120–277V (EU–240V). The driver is integral to the fixture housing.

SUSPENSION

Stainless steel cables. Recommended minimum distance from ceiling: 305mm/12" for white LEDs and 610mm/24" for colored LEDs (only for direct/indirect).

DIFFUSERS

Opal polycarbonate, supplied in sections.

DELIVERED LUMENS

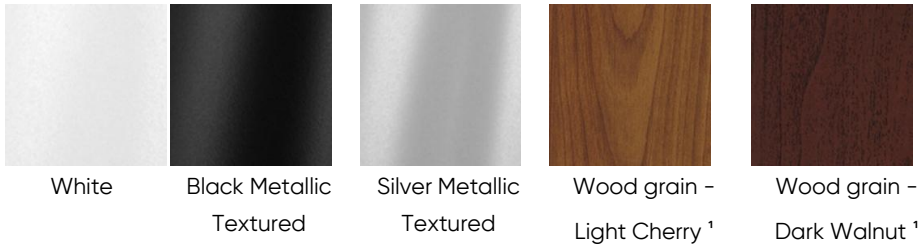
Delivered lumens & LPW based on 4000K (min 80 CRI) for white LEDs only.

REPORTED L70 @25°C(77°F)

> 60,000 hrs.

5 DESIGN OPTIONS

FINISH



¹ Longer than normal lead times may apply, consult factory.

6 HOW TO ORDER

A. LUMINAIRE

- AB0** 30", Direct, 5910 lms **AB1** 43", Direct, 8778 lms **AB2** 57", Direct, 11693 lms **AB3** 71", Direct, 14777 lms
- AB4** 85", Direct, 17732 lms **AB5** 30", Direct/Indirect, 7860 lms **AB6** 43", Direct/Indirect, 11678 lms **AB7** 57", Direct/Indirect, 14716 lms
- AB8** 71", Direct/Indirect, 20882 lms **AB9** 85", Direct/Indirect, 23578 lms

B. CCT/COLOR (DIRECT)

- J1** 2700K (min 80 CRI) **J2** 3000K (min 80 CRI) **J3** 3500K (min 80 CRI) **J4** 4000K (min 80 CRI)
- J7** Red **J8** Green **J9** Blue

C. CCT/COLOR (INDIRECT)

- K0** Indirect CCT not required **K1** 2700K (min 80 CRI) **K2** 3000K (min 80 CRI) **K3** 3500K (min 80 CRI)
- K4** 4000K (min 80 CRI) **K7** Red **K8** Green **K9** Blue

D. UPLIGHT DIFFUSER

- U0** Uplight diffuser not required **U1** Clear diffuser **U2** Opal diffuser

Uplight diffuser required for direct/indirect fixtures only.

E. DIMMING

D1 0-10V Dimming (1.0%)	D2 0-10V Dimming (0.1%)	D3 347V, 0-10V Dimming (1.0%)	D4 DALI Dimming (0.1%)
D5 DALI Dimming (1.0%)	D6 DSI (EU only)	D7 switchDim (EU only)	DA45 PoE

D6 & D7 options not available in North America.

DA45 must be used with EV only.

F. FINISH

F1 White	F2 Black Metallic Textured	F20 Silver Metallic Textured	F27 Wood grain - Light Cherry ¹
F28 Wood grain - Dark Walnut ¹			

¹ Longer than normal lead times may apply, consult factory.

G. LUMEN OUTPUT

L0 100% of standard output	L1 Lumen & Wattage Reduction to approximately 75% of standard output	L2 Lumen & Wattage Reduction to approximately 50% of standard output	L3 Lumen & Wattage Reduction to approximately 25% of standard output
-----------------------------------	---	---	---

Custom reduction percentages available upon request

H. EMERGENCY

E0 Emergency system not required	E1 Emergency System - Integral (direct illumination only, not available with 347V)
---	---

I. CONTROLS

C0 Controls not required	C1 Encelium/Zigbee control
---------------------------------	-----------------------------------

J. SWITCHING

W0 Single circuit	W1 Separate switching
--------------------------	------------------------------

K. OPTIONAL LOW VOLTAGE

EV Low Voltage

To be used with DA45 only.

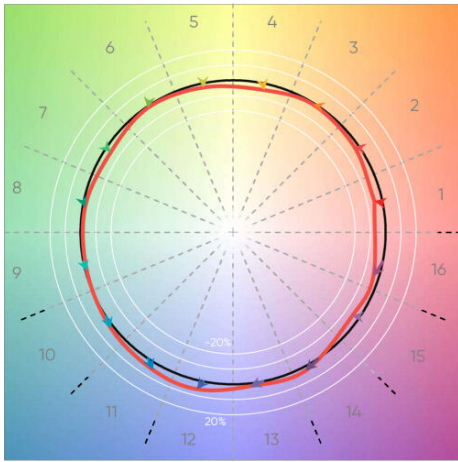
7 TECHNICAL DATA

LUMINAIRE

Code	AB0	AB1	AB2	AB3	AB4	AB5
Size	30"	43"	57"	71"	85"	30"
Wattage	57W	84W	112W	142W	170W	75W
Light Direction	Direct	Direct	Direct	Direct	Direct	Direct/Indirect
Delivered lms	5910	8778	11693	14777	17732	7860
LPW	104	105	105	105	105	105
Suspension Points	4	4	5	5	5	4
Code	AB6	AB7	AB8	AB9		
Size	43"	57"	71"	85"		
Wattage	111W	140W	199W	224W		
Light Direction	Direct/Indirect	Direct/Indirect	Direct/Indirect	Direct/Indirect		
Delivered lms	11678	14716	20882	23578		
LPW	105	105	105	105		
Suspension Points	4	5	5	5		

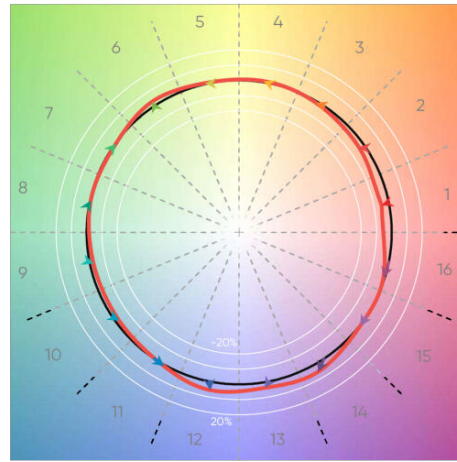
8 TM-30 DATA

CCT 2700K



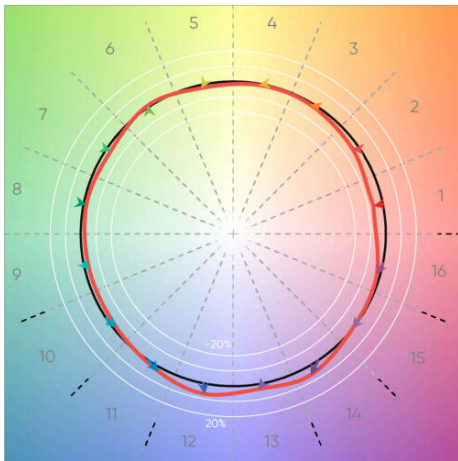
CRI(Ra)	93
CRI(R9)	61
TM30(Rf)	91
TM30(Rg)	98
Duv	-0.0022

CCT 3000K



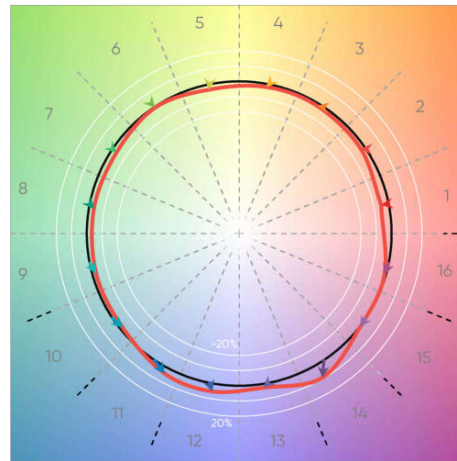
CRI(Ra)	92
CRI(R9)	58
TM30(Rf)	92
TM30(Rg)	100
Duv	-0.0003

CCT 3500K



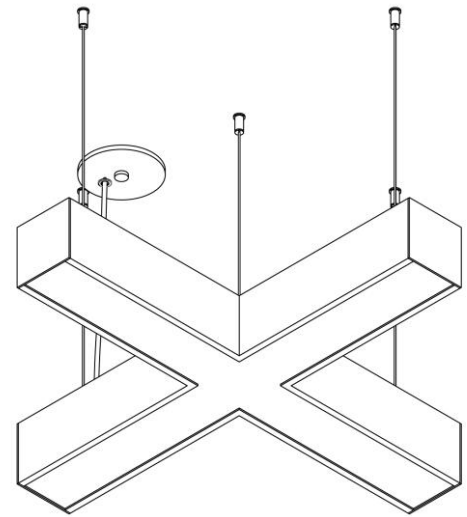
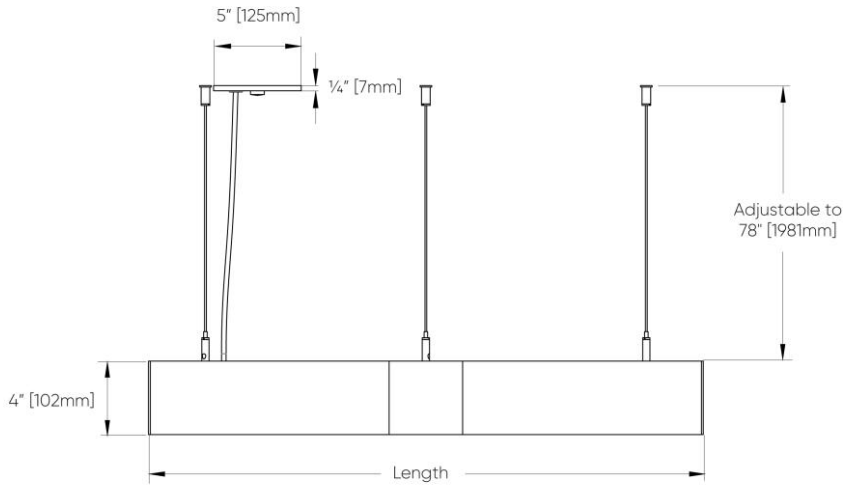
CRI(Ra)	91
CRI(R9)	53
TM30(Rf)	90
TM30(Rg)	99
Duv	-0.0007

CCT 4000K

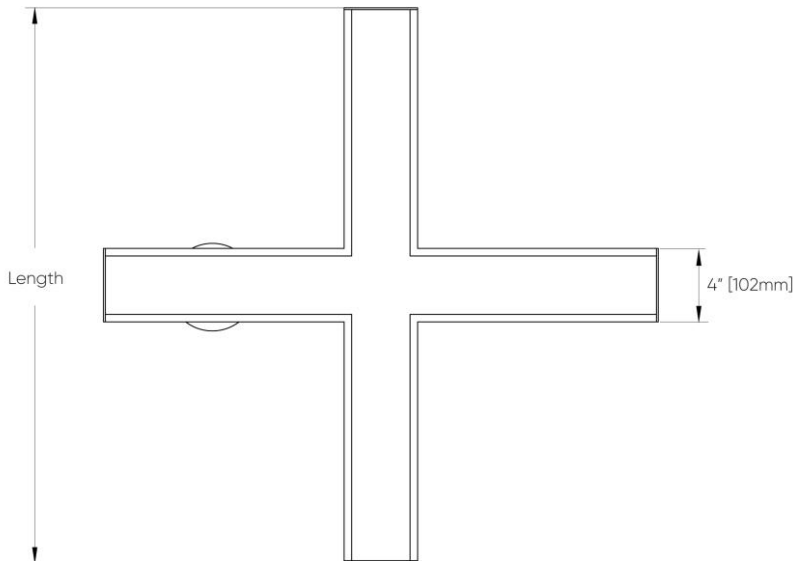


CRI(Ra)	93
CRI(R9)	64
TM30(Rf)	90
TM30(Rg)	98
Duv	0.0000

9 DIMENSIONAL DIAGRAMS



ISO VIEW



Length	Suspension Points
30" [762mm]	4
43" [1092mm]	4
57" [1448mm]	5
71" [1803mm]	5
85" [2159mm]	5