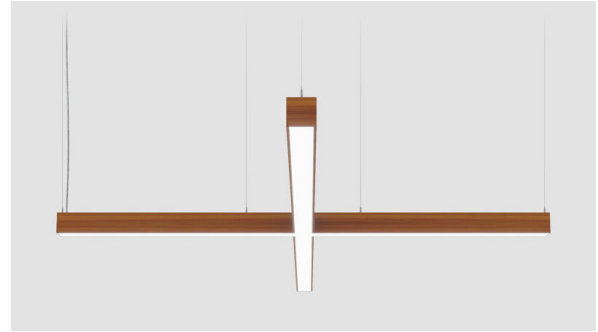




# MACRO CROSS™

## SHORT SPECIFICATION SHEET



Fixture Type

Fixture Code

Quantities

### 1 DESCRIPTION

The robust 4" linear profile takes the form of a cross, with dimensions ranging from 30" to 85" in length and width. Excellent light performance makes **MACRO CROSS** ideal for general illumination at standard ceiling heights. An indirect light option is available with either a clear or opal diffuser. Available in 3 neutral finishes, White, Black, and Silver Metallic; as well as 2 wood grain finishes Light Cherry and Dark Walnut. Three color temperatures are available plus monochromatic red, green, and blue. MACRO CROSS can integrate with your data network via Power over Ethernet.

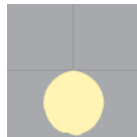
### 2 MOUNTING & OPTICS



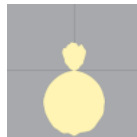
Suspended  
Direct



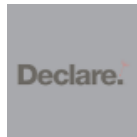
Suspended  
Direct/Indirect



Direct



Direct-indirect



Declare



PoE

### 3 APPROVALS



### 4 GENERAL SPECIFICATION

#### BODY AND TRIM

Steel and aluminum.

#### POWER CABLE

Silver braided.

## **FINISH**

Polyester powder coated. Canopy finishes as specified except for wood grain finishes where the canopy will be supplied white.

## **INTEGRAL EMERGENCY SYSTEM**

Emergency option provides a 1.5 hour (3 hours for EU) emergency lighting facility. The self contained system includes the inverter module, NiCad batteries, LED charge indicator and test switch (NA only). Not available with a 347V supply.

## **POE**

Macro Cross can integrate into your data network via Power over Ethernet (PoE) connectivity.

## **MECHANICAL**

Luminaires mount directly over J box (by others – North America only).

## **SENSORS**

Consult factory regarding sensor compatibility.

## **APPROVALS**

Damp Rated.

## **DRIVERS**

Integral, HPF electronic drivers for 120–277V (EU–240V). The driver is integral to the fixture housing.

## **SUSPENSION**

Stainless steel cables. Recommended minimum distance from ceiling: 305mm/12" for white LEDs and 610mm/24" for colored LEDs (only for direct/indirect).

## **DIFFUSERS**

Opal polycarbonate, supplied in sections.

## **DELIVERED LUMENS**

Delivered lumens & LPW based on 4000K (min 80 CRI) for white LEDs only.

## **REPORTED L70 @25°C(77°F)**

> 60,000 hrs.

**5 DESIGN OPTIONS**

**FINISH**



<sup>1</sup> Longer than normal lead times may apply, consult factory.

**6 HOW TO ORDER**

**A. LUMINAIRE**

- AB0** 30", Direct, 5910 lms      **AB1** 43", Direct, 8778 lms      **AB2** 57", Direct, 11693 lms      **AB3** 71", Direct, 14777 lms
- AB4** 85", Direct, 17732 lms      **AB5** 30", Direct/Indirect, 7860 lms      **AB6** 43", Direct/Indirect, 11678 lms      **AB7** 57", Direct/Indirect, 14716 lms
- AB8** 71", Direct/Indirect, 20882 lms      **AB9** 85", Direct/Indirect, 23578 lms

**B. CCT/COLOR (DIRECT)**

- J1** 2700K (min 80 CRI)      **J2** 3000K (min 80 CRI)      **J3** 3500K (min 80 CRI)      **J4** 4000K (min 80 CRI)
- J7** Red      **J8** Green      **J9** Blue

**C. CCT/COLOR (INDIRECT)**

- K0** Indirect CCT not required      **K1** 2700K (min 80 CRI)      **K2** 3000K (min 80 CRI)      **K3** 3500K (min 80 CRI)
- K4** 4000K (min 80 CRI)      **K7** Red      **K8** Green      **K9** Blue

**D. UPLIGHT DIFFUSER**

- U0** Uplight diffuser not required      **U1** Clear diffuser      **U2** Opal diffuser

Uplight diffuser required for direct/indirect fixtures only.

### E. DIMMING

<b>D1</b> 0-10V Dimming (1.0%)	<b>D2</b> 0-10V Dimming (0.1%)	<b>D3</b> 347V, 0-10V Dimming (1.0%)	<b>D4</b> DALI Dimming (0.1%)
<b>D5</b> DALI Dimming (1.0%)	<b>D6</b> DSI (EU only)	<b>D7</b> switchDim (EU only)	<b>DA45</b> PoE

---

D6 & D7 options not available in North America.

DA45 must be used with EV only.

### F. FINISH

<b>F1</b> White	<b>F2</b> Black Metallic Textured	<b>F20</b> Silver Metallic Textured	<b>F27</b> Wood grain - Light Cherry <sup>1</sup>
<b>F28</b> Wood grain - Dark Walnut <sup>1</sup>			

---

<sup>1</sup> Longer than normal lead times may apply, consult factory.

### G. LUMEN OUTPUT

<b>L0</b> 100% of standard output	<b>L1</b> Lumen & Wattage Reduction to approximately 75% of standard output	<b>L2</b> Lumen & Wattage Reduction to approximately 50% of standard output	<b>L3</b> Lumen & Wattage Reduction to approximately 25% of standard output
-----------------------------------	---	---	---

---

Custom reduction percentages available upon request

### H. EMERGENCY

<b>E0</b> Emergency system not required	<b>E1</b> Emergency System - Integral (direct illumination only, not available with 347V)
---	---

### I. CONTROLS

<b>C0</b> Controls not required	<b>C1</b> Encelium/Zigbee control
---------------------------------	-----------------------------------

### J. SWITCHING

<b>W0</b> Single circuit	<b>W1</b> Separate switching
--------------------------	------------------------------

### K. OPTIONAL LOW VOLTAGE

<b>EV</b> Low Voltage
-----------------------

---

To be used with DA45 only.

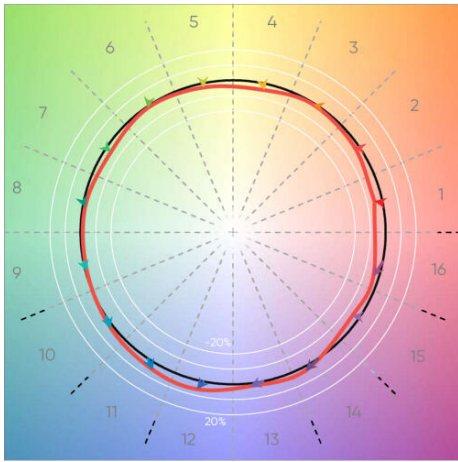
**7** TECHNICAL DATA

**LUMINAIRE**

<b>Code</b>	<b>AB0</b>	<b>AB1</b>	<b>AB2</b>	<b>AB3</b>	<b>AB4</b>	<b>AB5</b>
<b>Size</b>	30"	43"	57"	71"	85"	30"
<b>Wattage</b>	57W	84W	112W	142W	170W	75W
<b>Light Direction</b>	Direct	Direct	Direct	Direct	Direct	Direct/Indirect
<b>Delivered lms</b>	5910	8778	11693	14777	17732	7860
<b>LPW</b>	104	105	105	105	105	105
<b>Suspension Points</b>	4	4	5	5	5	4
<b>Code</b>	<b>AB6</b>	<b>AB7</b>	<b>AB8</b>	<b>AB9</b>		
<b>Size</b>	43"	57"	71"	85"		
<b>Wattage</b>	111W	140W	199W	224W		
<b>Light Direction</b>	Direct/Indirect	Direct/Indirect	Direct/Indirect	Direct/Indirect		
<b>Delivered lms</b>	11678	14716	20882	23578		
<b>LPW</b>	105	105	105	105		
<b>Suspension Points</b>	4	5	5	5		

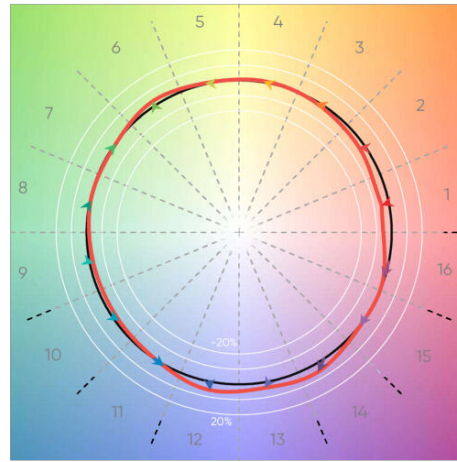
**8** TM-30 DATA

**CCT 2700K**



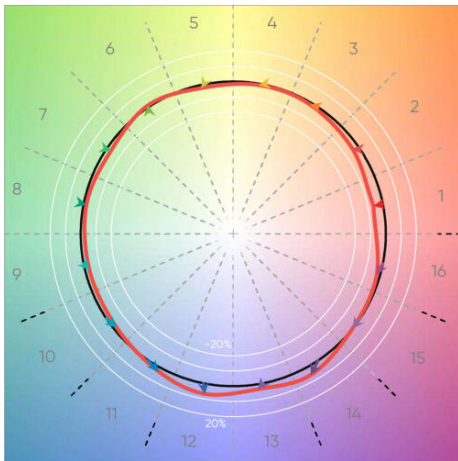
<b>CRI(Ra)</b>	93
<b>CRI(R9)</b>	61
<b>TM30(Rf)</b>	91
<b>TM30(Rg)</b>	98
<b>Duv</b>	-0.0022

**CCT 3000K**



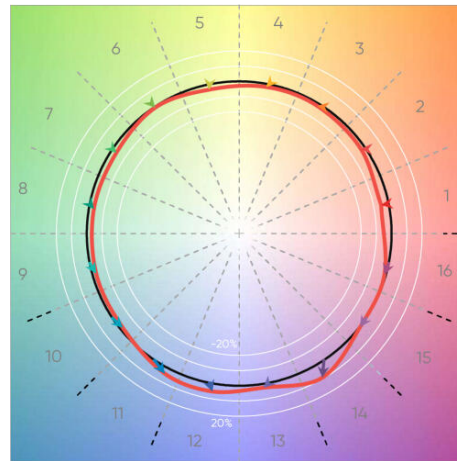
<b>CRI(Ra)</b>	92
<b>CRI(R9)</b>	58
<b>TM30(Rf)</b>	92
<b>TM30(Rg)</b>	100
<b>Duv</b>	-0.0003

**CCT 3500K**



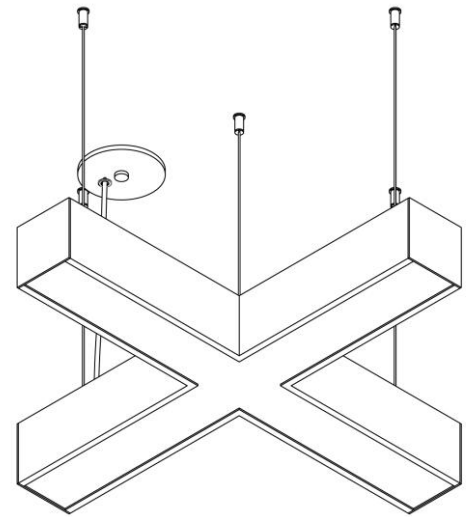
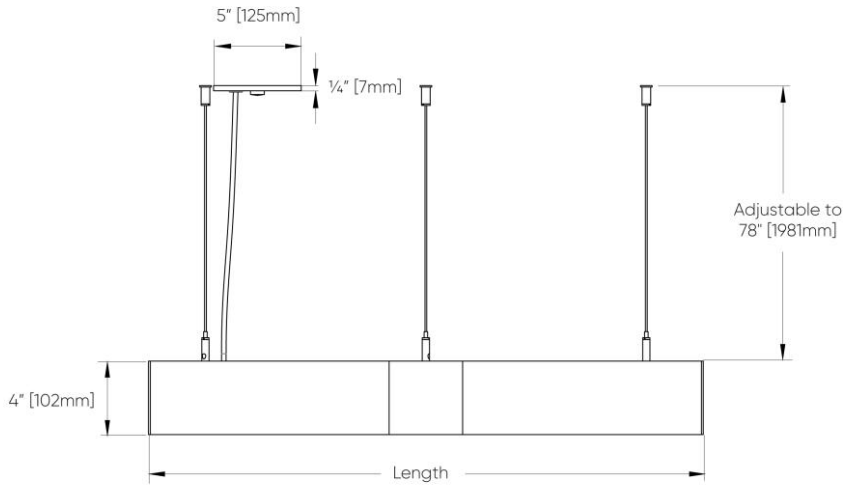
<b>CRI(Ra)</b>	91
<b>CRI(R9)</b>	53
<b>TM30(Rf)</b>	90
<b>TM30(Rg)</b>	99
<b>Duv</b>	-0.0007

**CCT 4000K**

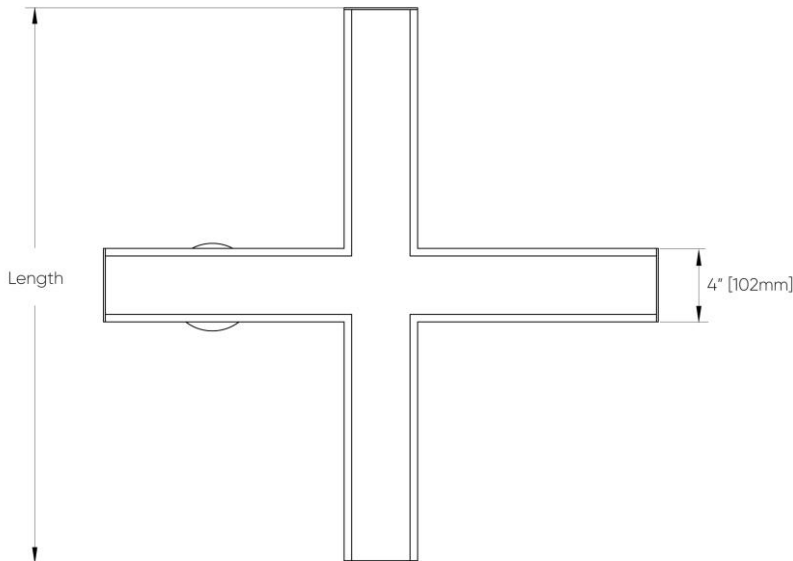


<b>CRI(Ra)</b>	93
<b>CRI(R9)</b>	64
<b>TM30(Rf)</b>	90
<b>TM30(Rg)</b>	98
<b>Duv</b>	0.0000

**9** DIMENSIONAL DIAGRAMS



**ISO VIEW**



Length	Suspension Points
30" [762mm]	4
43" [1092mm]	4
57" [1448mm]	5
71" [1803mm]	5
85" [2159mm]	5