

# MATREX DUAL™ - SUSPENDED

Project Name:

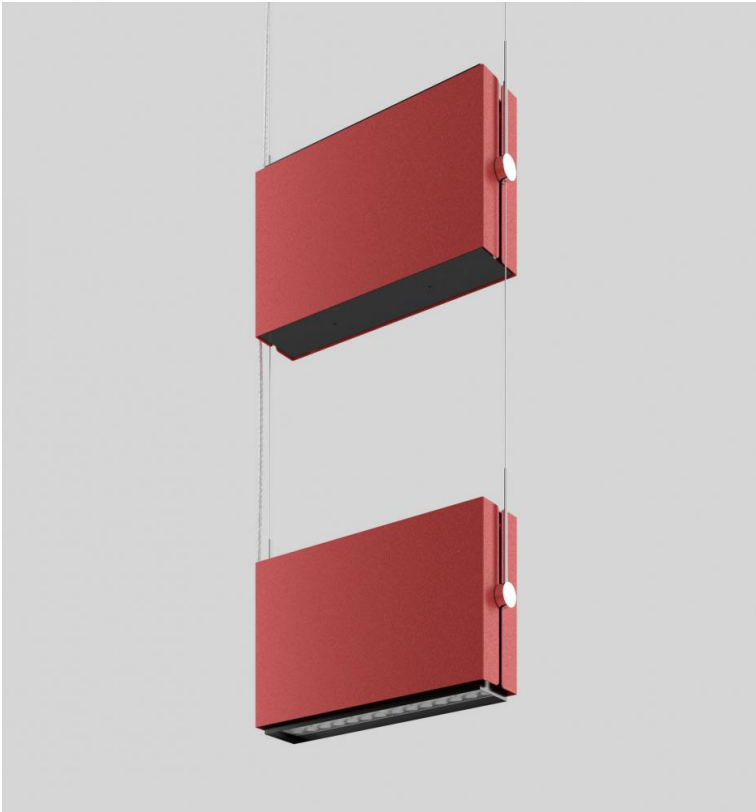
Fixture Type:

Fixture Code:

Quantities:



MATREX DUAL™ - SUSPENDED



# MATREX DUAL™ - SUSPENDED

**MATREX** is a family of spotlights packed with power for projecting light at great distances. With best-in-class thermal management and hidden heat sinks, MATREX's form factor is significantly smaller than traditional spotlights. Multiple mounting systems are available, providing a variety of functions that work in a range of applications, especially those with multiple ceiling heights.

## GENERAL SPECIFICATION

### Body and trim

Steel and aluminum.

### Suspension

Steel cables.

### Integral emergency system

Emergency option provides a 1.5 hour (3 hours for EU) emergency lighting facility. The self contained system includes the inverter module, NiCad batteries, LED charge indicator and test switch (NA only). Integral emergency EU luminaires have a 17" (434mm) x 8.3" (210mm) x 2.3" (58mm) canopy with LED charge indicator. Not available with a 347V supply. Drivers are in the canopy and used with the lower module only.

### Mechanical

Luminaires mount to a junction box or switch box (by others - North America only), depending on canopy selection.

### Delivered lumens

Delivered lumens & lpw based on 4000K, CRI 80+.

### Reported L70 @25°C (77°F)

> 60,000 hrs.

### Designed by

Serge Cornelissen.

### Finish

Powder coated as specified. Custom paint finishes available to special order.

### Power cable

Silver braided.

### Drivers

HPF, electronic, 120-277V, 347V (EU-240V). The driver is integral to the fixture housing except when ordering emergency then they are integral to the canopy.

### Sensors

Consult factory regarding sensor compatibility.

### Approvals

Damp Rated.

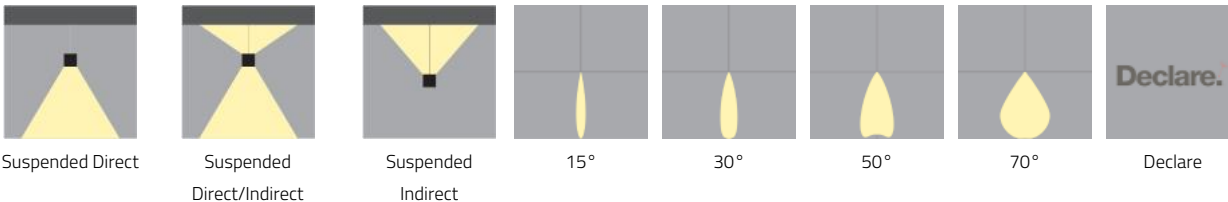
### Estimated L70 @25°C (77°F)

> 171,000 hrs.

### Design

US Pat. No. D917,765.

## MOUNTING & OPTICS



# MATREX DUAL™ - SUSPENDED

## HOW TO ORDER

### A. LUMINAIRE

**MXDP1P01** Double Down, 18400 lms    **MXDP2P01** Direct/Indirect, 18400 lms    **MXDP3P01** Double Up, 18400 lms

All data shown at max output and nominal values.

### B. LUMENS (UPPER MODULE)

**LMA0230** 2300                      **LMA0460** 4600                      **LMA0690** 6900                      **LMA0920** 9200

\* Max lumen values shown, refer to IES files for the different snoot and beam options.

### C. LUMENS (LOWER MODULE)

**LMB0230** 2300                      **LMB0460** 4600                      **LMB0690** 6900                      **LMB0920** 9200

\* Max lumen values shown, refer to IES files for the different snoot and beam options.

### D. CRI

**CR80** CRI 80+                      **CR90** CRI 90+

### E. CCT

**CTA27** 2700K<sup>1</sup>                      **CTA30** 3000K                      **CTA35** 3500K                      **CTA40** 4000K

<sup>1</sup> 2700K is only available with CRI 80+

### F. BEAM ANGLE (UPPER MODULE)

**BA15** 15°                      **BA30** 30°                      **BA50** 50°                      **BA70** 70°  
**BA80** 50°x80°<sup>1</sup>

<sup>1</sup> Available with Double Down luminaire only.

### G. BEAM ANGLE (LOWER MODULE)

**BB15** 15°                      **BB30** 30°                      **BB50** 50°                      **BB70** 70°  
**BB80** 50°x80°<sup>1</sup>

<sup>1</sup> Available with NU8 Ladder Louver only.

### H. VOLTAGE

**V1** 120/277V                      **V2** 240V<sup>1</sup>                      **V3** 347V<sup>2</sup>

<sup>1</sup> Not available in North America.

<sup>2</sup> Only available with DA01 dimming.

### I. DIMMING

**DA01** 0-10V Dimming 1.0%                      **DA02** 0-10V Dimming 0.1%<sup>1</sup>                      **DA20** DALI Dimming 0.1%<sup>1</sup>                      **DA21** DALI Dimming 1.0%<sup>1</sup>  
**DA30** DSI/switchDim<sup>1 2</sup>                      **DA40** DMX Dimming<sup>1 2</sup>

<sup>1</sup> Not available with 347V.

<sup>2</sup> Not available in North America.

<sup>3</sup> Only available with CN4 canopy.

# MATREX DUAL™ - SUSPENDED

## J. FIXTURE FINISH

<b>FA01</b> White	<b>FA02</b> Black Metallic - Textured	<b>FA20</b> Silver Metallic - Textured	<b>FA25</b> Gold Metallic - Textured
<b>FA44</b> Midnight Blue Metallic - Textured	<b>FA46</b> Charcoal Metallic - Textured	<b>FA47</b> Bronze Metallic - Textured	<b>FA53</b> Red Metallic - Textured

## K. CANOPY

<b>CN1</b> Canopy A <sup>1</sup>	<b>CN2</b> Canopy B <sup>2</sup>	<b>CN3</b> Canopy C <sup>1 3</sup>	<b>CN4</b> Canopy D <sup>1 *</sup>
----------------------------------	----------------------------------	------------------------------------	------------------------------------

<sup>1</sup> Fits over a standard j-box (provided by others).

<sup>2</sup> Fits over a switch box (provided by others, 4"x2.125").

<sup>3</sup> For use with V2 (240V) only.

\* To be ordered with E1 (Emergency Integral) or DA40 (DMX Dimming).

## L. CANOPY FINISH

<b>CF01</b> White	<b>CF02</b> Black Metallic - Textured	<b>CF20</b> Silver Metallic - Textured	<b>CF25</b> Gold Metallic - Textured
<b>CF44</b> Midnight Blue Metallic - Textured	<b>CF46</b> Charcoal Metallic - Textured	<b>CF47</b> Bronze Metallic - Textured	<b>CF53</b> Red Metallic - Textured

## M. SNOOTS AND LOUVERS (UPPER MODULE)

<b>NT1</b> Standard Snoot - Black <sup>1</sup>	<b>NT2</b> Standard Snoot - White <sup>1</sup>	<b>NT3</b> Long Snoot - Black <sup>1</sup>	<b>NT4</b> Long Snoot - White <sup>1</sup>
<b>NU7</b> Hex Louver - Black <sup>2</sup>	<b>NU8</b> Ladder Louver - Black <sup>3</sup>		

For precise beam angle and lumen output, please refer to the IES files. Note that using snoots and louvers may decrease overall efficacy.

<sup>1</sup> A snoot must be picked at time of order, if you are not ordering a louver.

<sup>2</sup> Not available with Double Up or Direct/Indirect (Indirect only), BA70 beam angle.

<sup>3</sup> Available with Double Down and Direct/Indirect (Direct only), BA80 beam angle and 2300 lumens only.

## N. SNOOTS AND LOUVERS (LOWER MODULE)

<b>NU1</b> Standard Snoot - Black <sup>1</sup>	<b>NU2</b> Standard Snoot - White <sup>1</sup>	<b>NU3</b> Long Snoot - Black <sup>1</sup>	<b>NU4</b> Long Snoot - White <sup>1</sup>
<b>NU7</b> Hex Louver - Black <sup>2</sup>	<b>NU8</b> Ladder Louver - Black <sup>3</sup>		

For precise beam angle and lumen output, please refer to the IES files. Note that using snoots and louvers may decrease overall efficacy.

<sup>1</sup> A snoot must be picked at time of order, if you are not ordering a louver.

<sup>2</sup> Not available with Double Up or Direct/Indirect (Indirect only), BB70 beam angle.

<sup>3</sup> Available with Double Down and Direct/Indirect (Direct only), BB80 beam angle and 2300 lumens only.

## O. EMERGENCY

<b>E0</b> Emergency system not required	<b>E1</b> Emergency system - Integral <sup>1</sup>
---	--

<sup>1</sup> Integral emergency in the lower module only, drivers are in the canopy. Not available with 347V. Two power cables will be supplied.

<sup>2</sup> CN4 canopy only used when ordering emergency or DMX. Two power cables supplied.

## P. SEPARATE SWITCHING

<b>CS1</b> Single circuit	<b>CS2</b> Separate switching <sup>1</sup>
---------------------------	--

<sup>1</sup> Two power cables will be supplied.



# MATREX DUAL™ - SUSPENDED

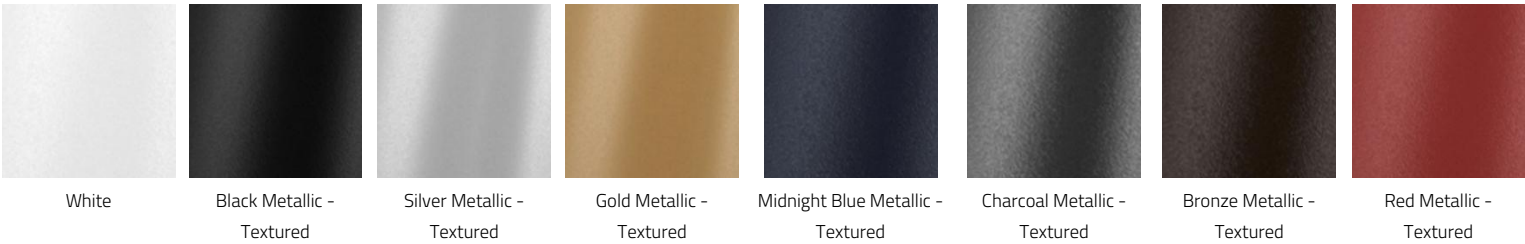
## TECHNICAL DATA

### LUMINAIRE

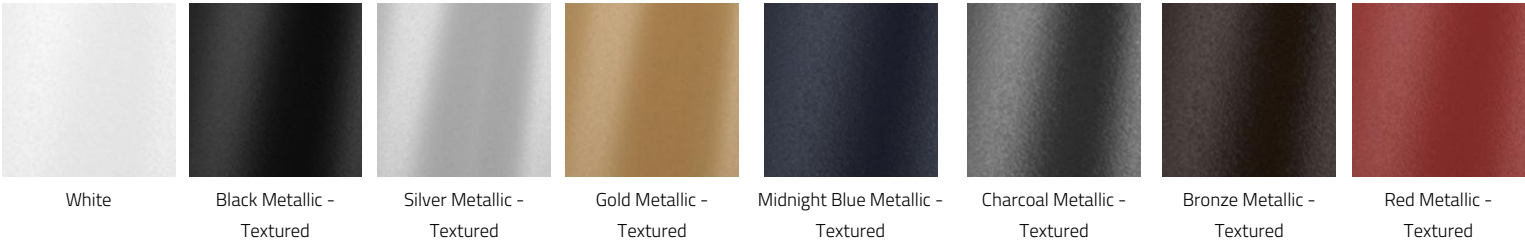
All data shown at max output and nominal values.

Code	MXDP1P01	MXDP2P01	MXDP3P01
Light Direction	Double Down	Direct/Indirect	Double Up
Max Wattage	164W	164W	164W
Max Delivered lms	18400	18400	18400
Max LPW	130	130	130

### FINISH - FIXTURE



### FINISH - CANOPY



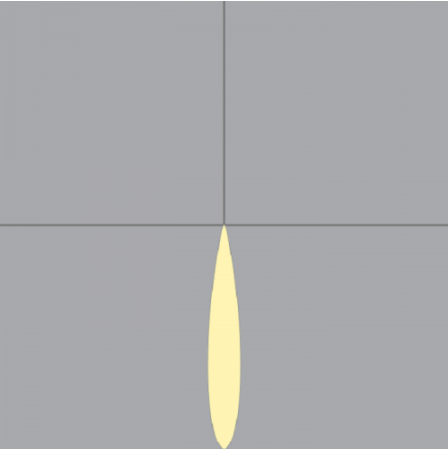
### APPROVALS



# MATREX DUAL™ - SUSPENDED

## PERFORMANCE DATA

### DIRECT 15° BEAM ANGLE

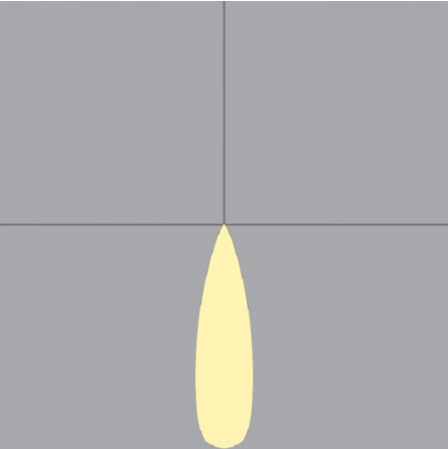


WATTS
32
72
114
164

LUMENS
4600
9000
13600
18000

LPW
138
127
118
110

### DIRECT 30° BEAM ANGLE

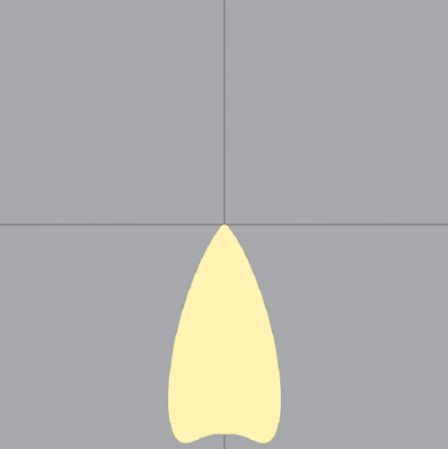


WATTS
32
72
114
164

LUMENS
4600
8800
13000
17400

LPW
140
130
120
112

### DIRECT 50° BEAM ANGLE



WATTS
32
72
114
164

LUMENS
4400
8800
13000
17400

LPW
133
123
114
107

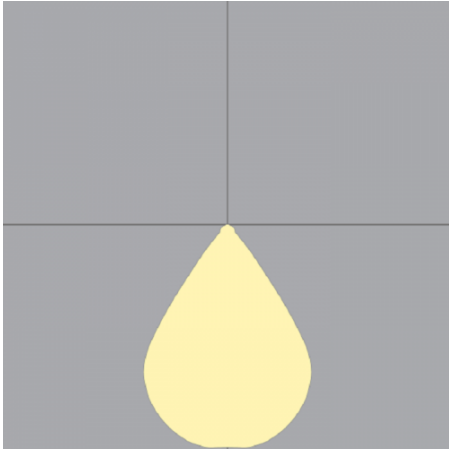
# MATREX DUAL™ - SUSPENDED

## DIRECT 70° BEAM ANGLE

### WATTS

### LUMENS

### LPW



32  
72  
114  
164

4400  
8800  
13200  
17600

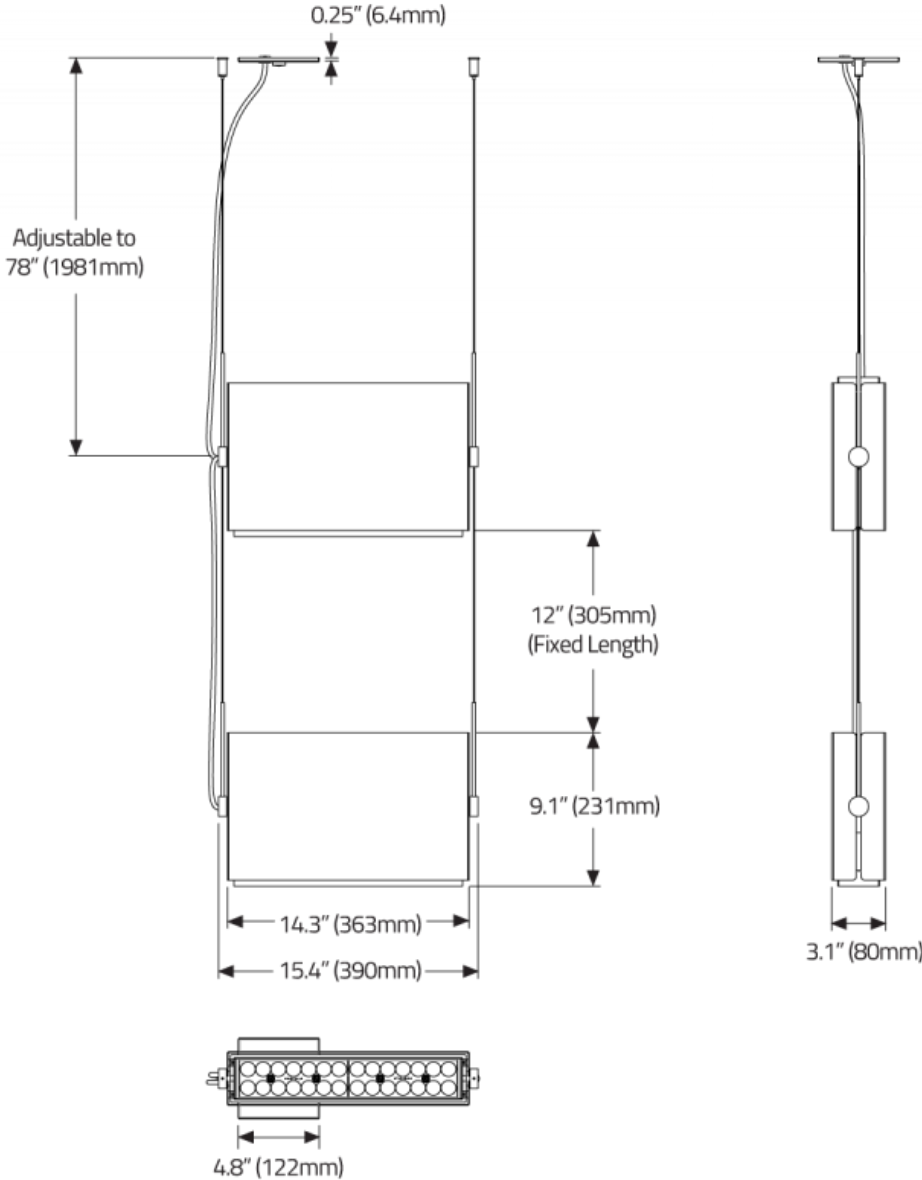
134  
123  
115  
107



# MATREX DUAL™ - SUSPENDED

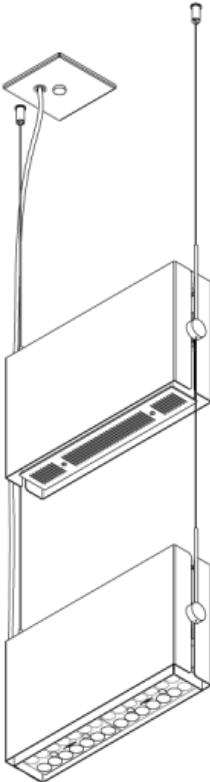
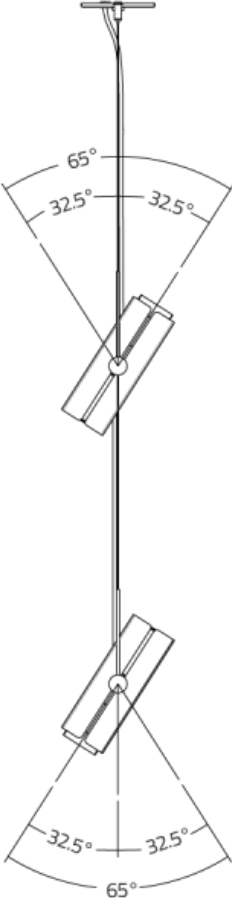
## DIMENSIONAL DIAGRAMS

fixture profiles

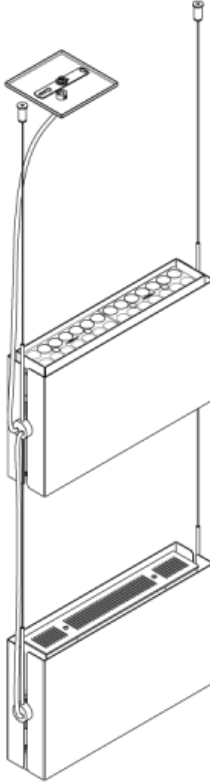


# MATREX DUAL™ - SUSPENDED

Direct/Indirect



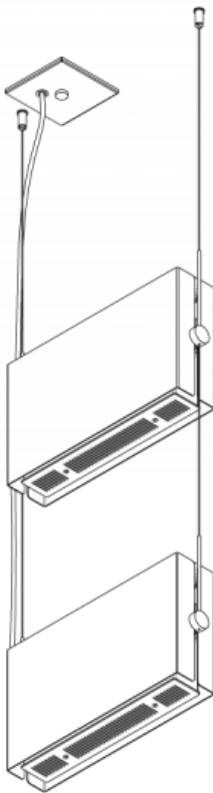
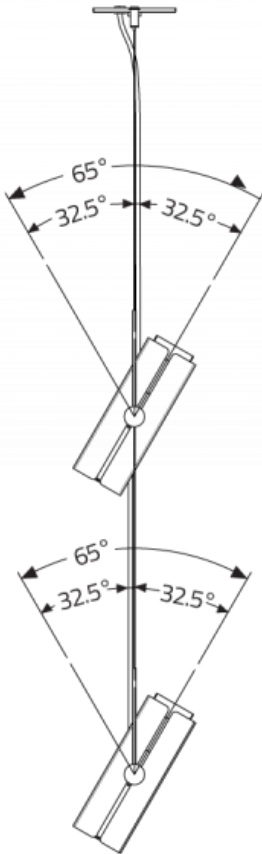
ISOMETRIC BOTTOM VIEW (STRAIGHT)



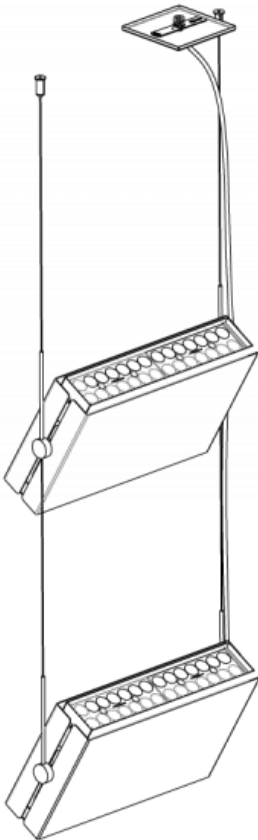
ISOMETRIC TOP VIEW (STRAIGHT)

# MATREX DUAL™ - SUSPENDED

DOUBLE UP



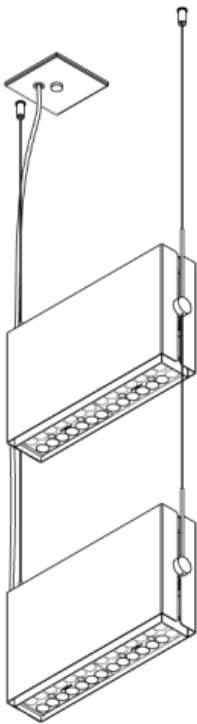
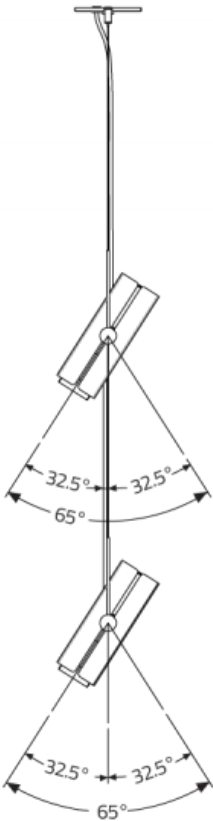
ISOMETRIC BOTTOM VIEW (STRAIGHT)



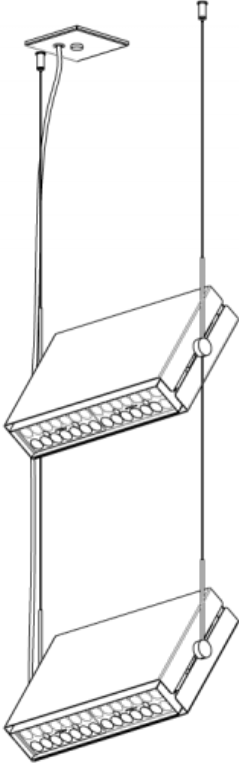
ISOMETRIC VIEW (ANGLED)

# MATREX DUAL™ - SUSPENDED

DOUBLE DOWN



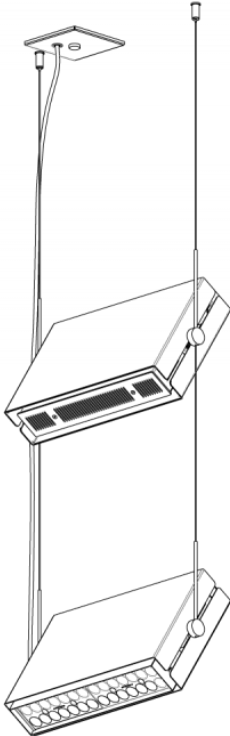
ISOMETRIC BOTTOM VIEW (STRAIGHT)



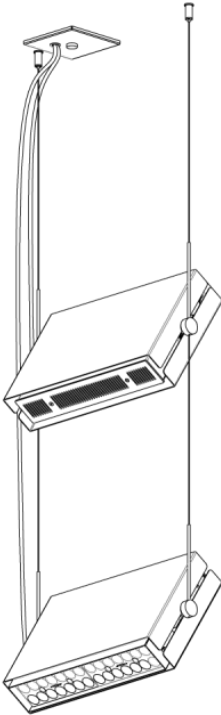
ISOMETRIC VIEW (ANGLED)

# MATREX DUAL™ - SUSPENDED

SEPARATE SWITCHING (CS1, CS2)



SINGLE CIRCUIT

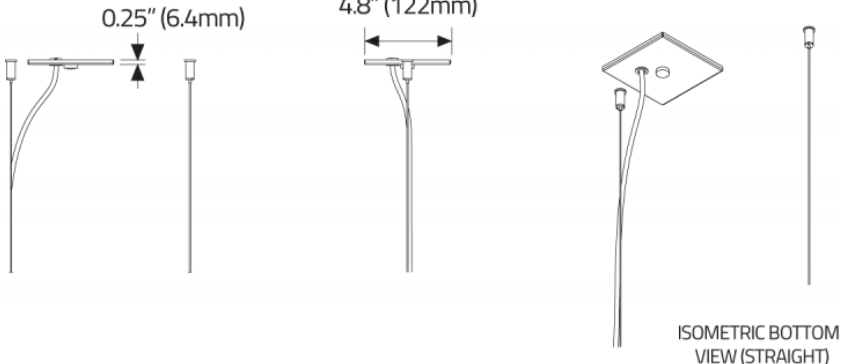


SEPARATE SWITCHING  
(Two power cables supplied)

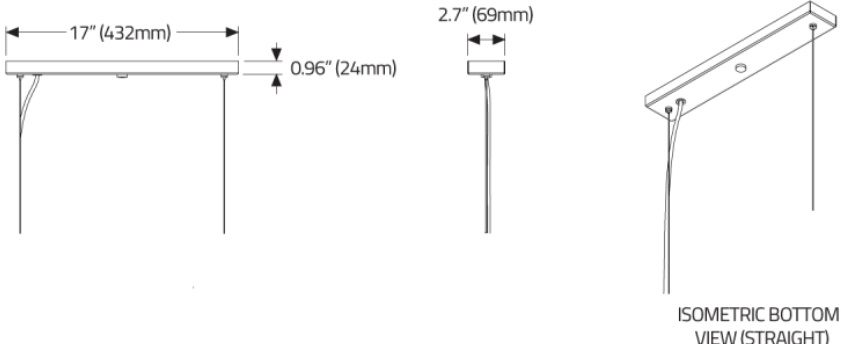
# MATREX DUAL™ - SUSPENDED

## CANOPIES

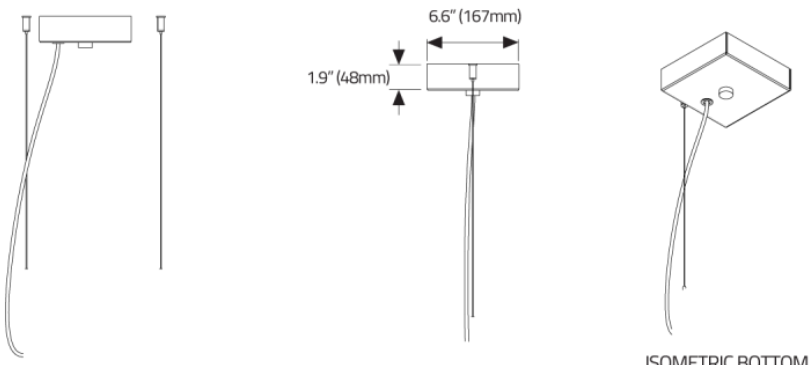
CANOPY A



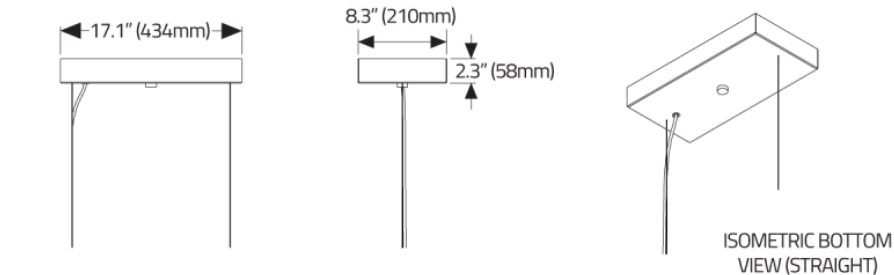
CANOPY B



CANOPY C

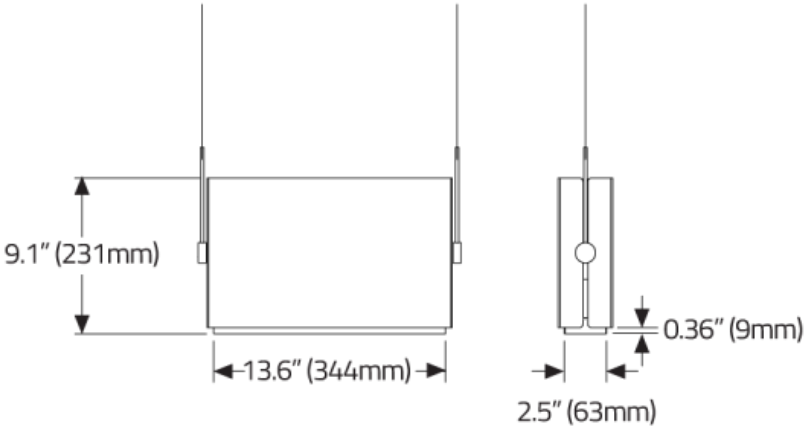


CANOPY D

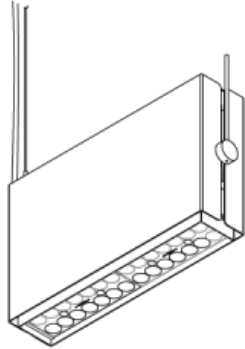


# MATREX DUAL™ - SUSPENDED

## STANDARD SNOOT

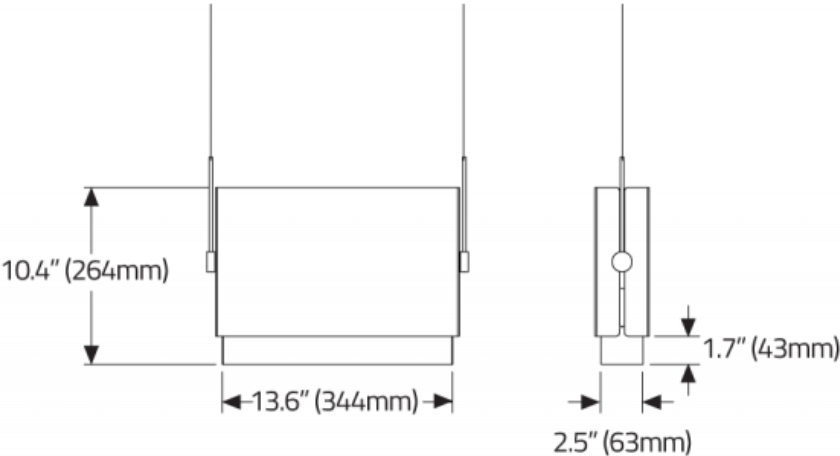


STANDARD SNOOT

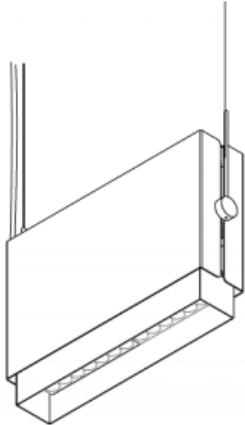


ISOMETRIC BOTTOM VIEW (STANDARD SNOOT)

## LONG SNOOT



LONG SNOOT

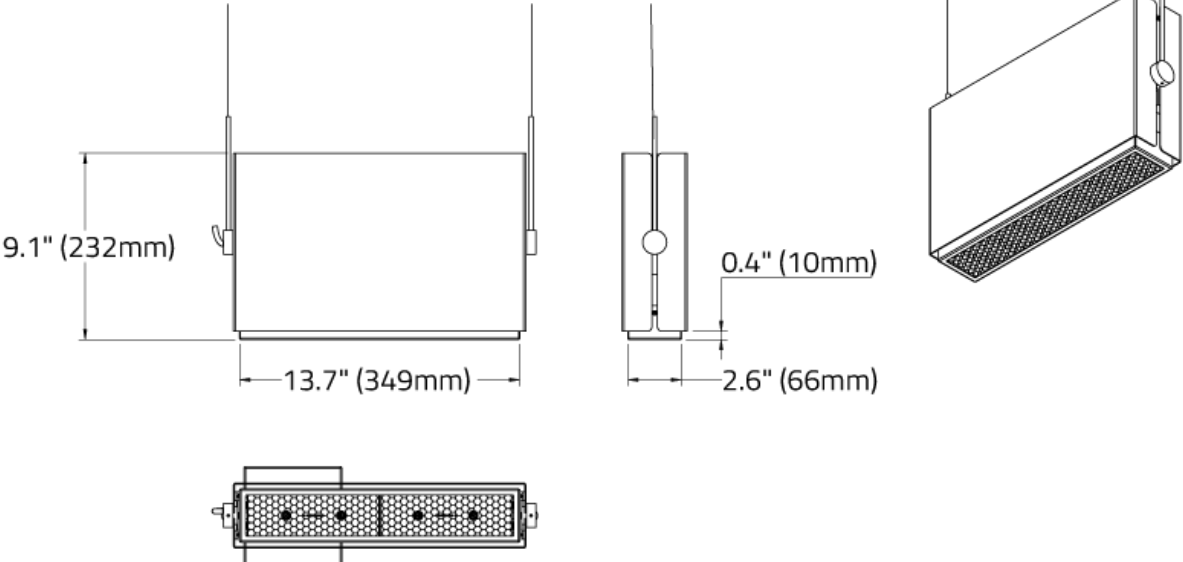


ISOMETRIC BOTTOM VIEW (LONG SNOOT)

# MATREX DUAL™ - SUSPENDED

LOUVRES

## HEX CELL LOUVRE



## LADDER LOUVRE

