

MATREX DUAL™ - SUSPENDED



Project Name:

Fixture Type:

Fixture Code:

Quantities:

A. LUMINAIRE

MXDP1P01 Double Down, 18400 lms **MXDP2P01** Direct/Indirect, 18400 lms **MXDP3P01** Double Up, 18400 lms

All data shown at max output and nominal values.

B. LUMENS (UPPER MODULE)

LMA0230 2300 **LMA0460** 4600 **LMA0690** 6900 **LMA0920** 9200

* Max lumen values shown, refer to IES files for the different snoot and beam options.

C. LUMENS (LOWER MODULE)

LMB0230 2300 **LMB0460** 4600 **LMB0690** 6900 **LMB0920** 9200

* Max lumen values shown, refer to IES files for the different snoot and beam options.

D. CRI

CR80 CRI 80+ **CR90** CRI 90+

E. CCT

CTA27 2700K¹ **CTA30** 3000K **CTA35** 3500K **CTA40** 4000K

¹ 2700K is only available with CRI 80+

F. BEAM ANGLE (UPPER MODULE)

BA15 15° **BA30** 30° **BA50** 50° **BA70** 70°
BA80 50°x80°¹

¹ Available with Double Down luminaire only.

G. BEAM ANGLE (LOWER MODULE)

BB15 15° **BB30** 30° **BB50** 50° **BB70** 70°
BB80 50°x80°¹

¹ Available with NU8 Ladder Louver only.

H. VOLTAGE

V1 120/277V **V2** 240V¹ **V3** 347V²

¹ Not available in North America.

² Only available with DA01 dimming.

MATREX DUAL™ - SUSPENDED

I. DIMMING

DA01 0-10V Dimming 1.0%

DA02 0-10V Dimming 0.1%¹

DA20 DALI Dimming 0.1%¹

DA21 DALI Dimming 1.0%¹

DA30 DSI/switchDim^{1 2}

DA40 DMX Dimming^{1 2}

¹ Not available with 347V.

² Not available in North America.

³ Only available with CN4 canopy.

J. FIXTURE FINISH

FA01 White

FA02 Black Metallic - Textured

FA20 Silver Metallic - Textured

FA25 Gold Metallic - Textured

FA44 Midnight Blue Metallic - Textured

FA46 Charcoal Metallic - Textured

FA47 Bronze Metallic - Textured

FA53 Red Metallic - Textured

K. CANOPY

CN1 Canopy A¹

CN2 Canopy B²

CN3 Canopy C^{1 3}

CN4 Canopy D^{1 *}

¹ Fits over a standard j-box (provided by others).

² Fits over a switch box (provided by others, 4"x2.125").

³ For use with V2 (240V) only.

* To be ordered with E1 (Emergency Integral) or DA40 (DMX Dimming).

L. CANOPY FINISH

CF01 White

CF02 Black Metallic - Textured

CF20 Silver Metallic - Textured

CF25 Gold Metallic - Textured

CF44 Midnight Blue Metallic - Textured

CF46 Charcoal Metallic - Textured

CF47 Bronze Metallic - Textured

CF53 Red Metallic - Textured

M. SNOOTS AND LOUVERS (UPPER MODULE)

NT1 Standard Snoot - Black¹

NT2 Standard Snoot - White¹

NT3 Long Snoot - Black¹

NT4 Long Snoot - White¹

NU7 Hex Louver - Black²

NU8 Ladder Louver - Black³

For precise beam angle and lumen output, please refer to the IES files. Note that using snoots and louvers may decrease overall efficacy.

¹ A snoot must be picked at time of order, if you are not ordering a louver.

² Not available with Double Up or Direct/Indirect (Indirect only), BA70 beam angle.

³ Available with Double Down and Direct/Indirect (Direct only), BA80 beam angle and 2300 lumens only.

N. SNOOTS AND LOUVERS (LOWER MODULE)

NU1 Standard Snoot - Black¹

NU2 Standard Snoot - White¹

NU3 Long Snoot - Black¹

NU4 Long Snoot - White¹

NU7 Hex Louver - Black²

NU8 Ladder Louver - Black³

For precise beam angle and lumen output, please refer to the IES files. Note that using snoots and louvers may decrease overall efficacy.

¹ A snoot must be picked at time of order, if you are not ordering a louver.

² Not available with Double Up or Direct/Indirect (Indirect only), BB70 beam angle.

³ Available with Double Down and Direct/Indirect (Direct only), BB80 beam angle and 2300 lumens only.

O. EMERGENCY

E0 Emergency system not required

E1 Emergency system - Integral¹

¹ Integral emergency in the lower module only, drivers are in the canopy. Not available with 347V. Two power cables will be supplied.

² CN4 canopy only used when ordering emergency or DMX. Two power cables supplied.

P. SEPARATE SWITCHING

CS1 Single circuit

CS2 Separate switching¹

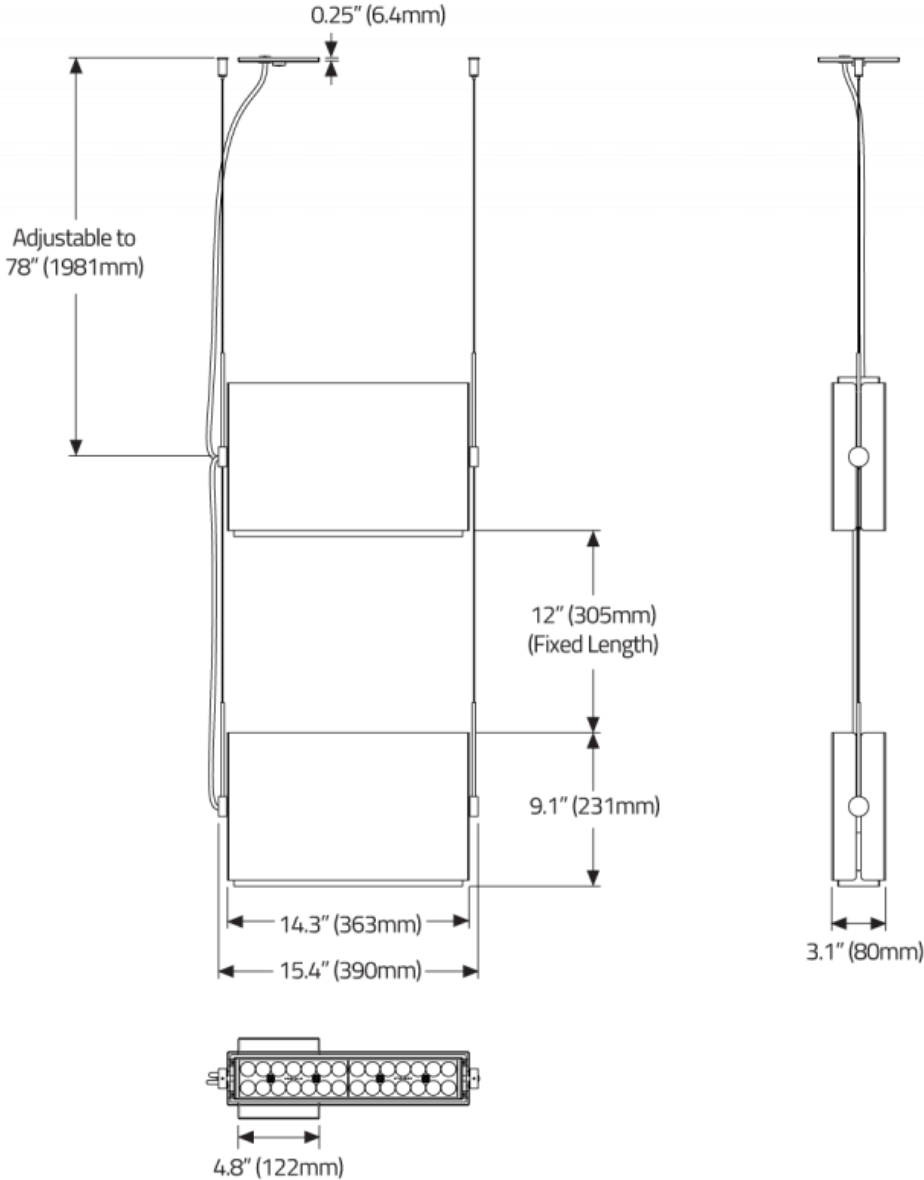
¹ Two power cables will be supplied.



MATREX DUAL™ - SUSPENDED

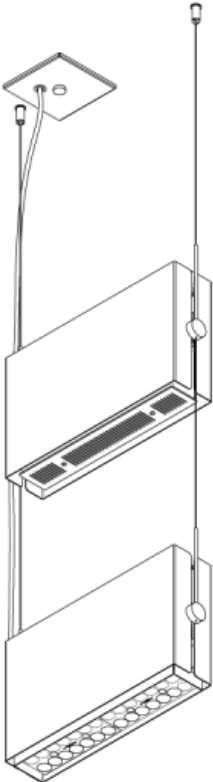
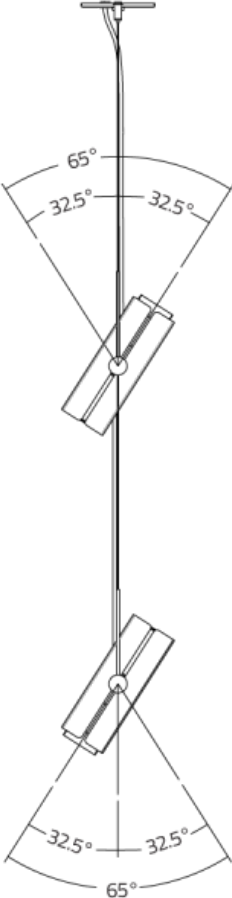
DIMENSIONAL DIAGRAMS

fixture profiles

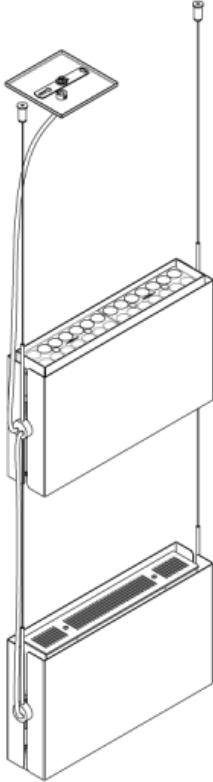


MATREX DUAL™ - SUSPENDED

Direct/Indirect



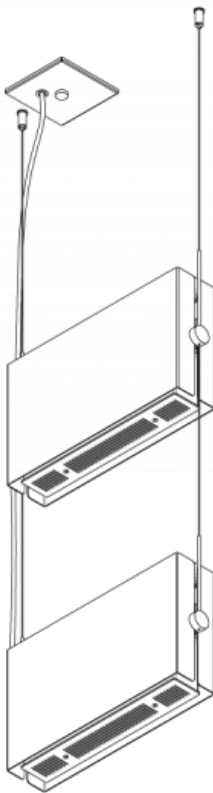
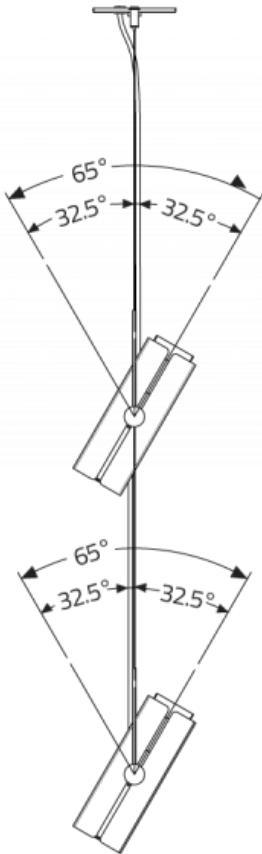
ISOMETRIC BOTTOM VIEW (STRAIGHT)



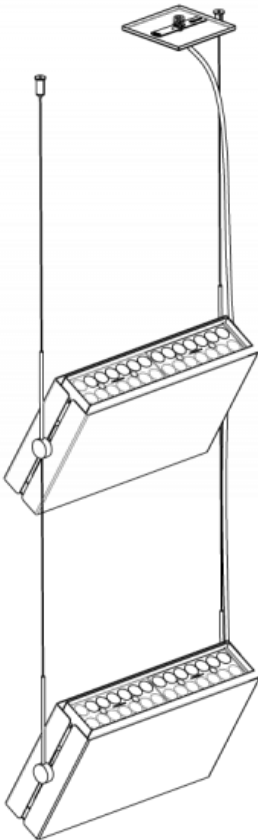
ISOMETRIC TOP VIEW (STRAIGHT)

MATREX DUAL™ - SUSPENDED

DOUBLE UP



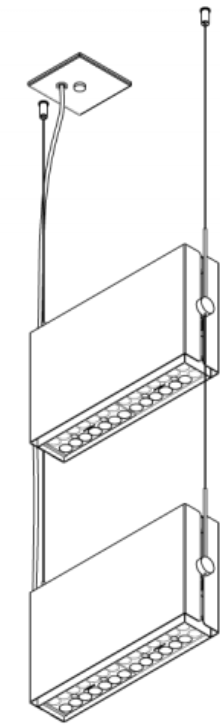
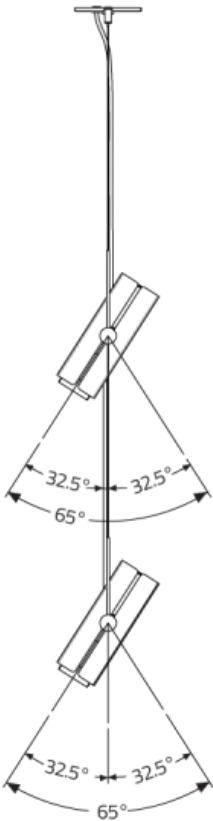
ISOMETRIC BOTTOM VIEW (STRAIGHT)



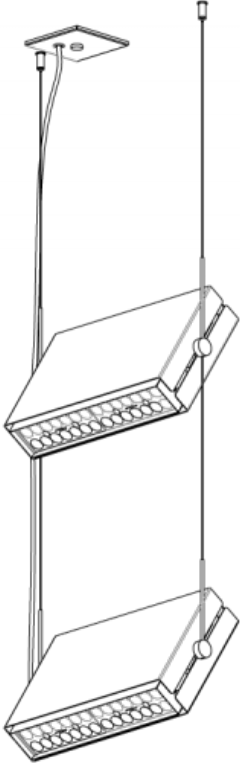
ISOMETRIC VIEW (ANGLED)

MATREX DUAL™ - SUSPENDED

DOUBLE DOWN



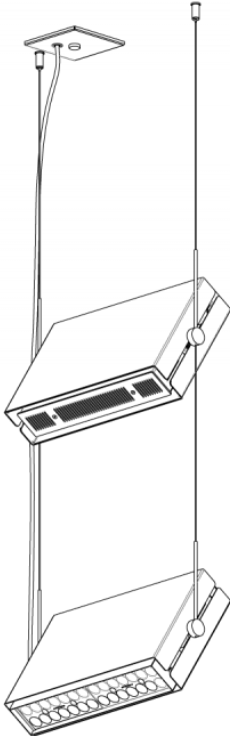
ISOMETRIC BOTTOM VIEW (STRAIGHT)



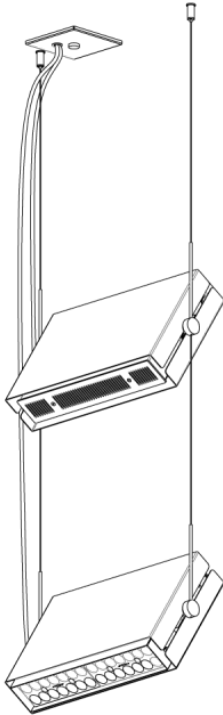
ISOMETRIC VIEW (ANGLED)

MATREX DUAL™ - SUSPENDED

SEPARATE SWITCHING (CS1, CS2)



SINGLE CIRCUIT

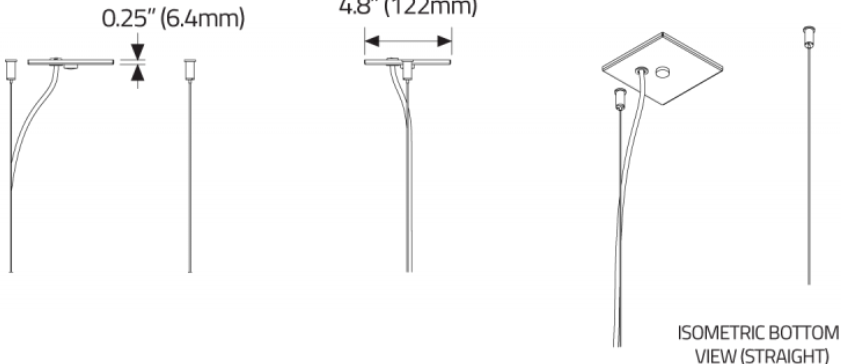


SEPARATE SWITCHING
(Two power cables supplied)

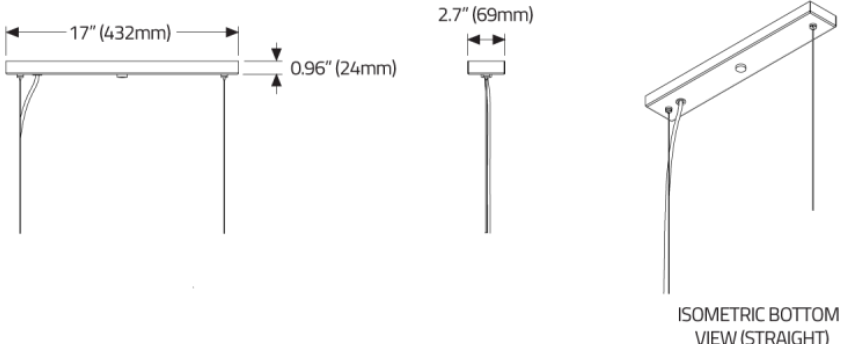
MATREX DUAL™ - SUSPENDED

CANOPIES

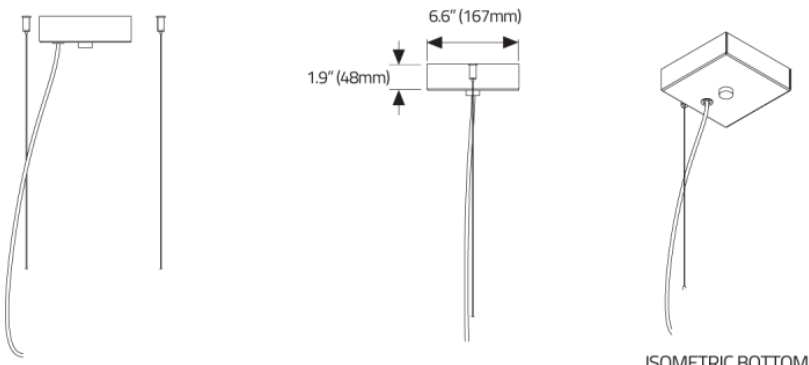
CANOPY A



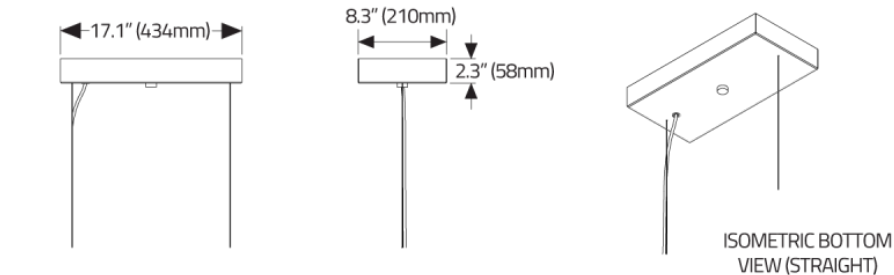
CANOPY B



CANOPY C

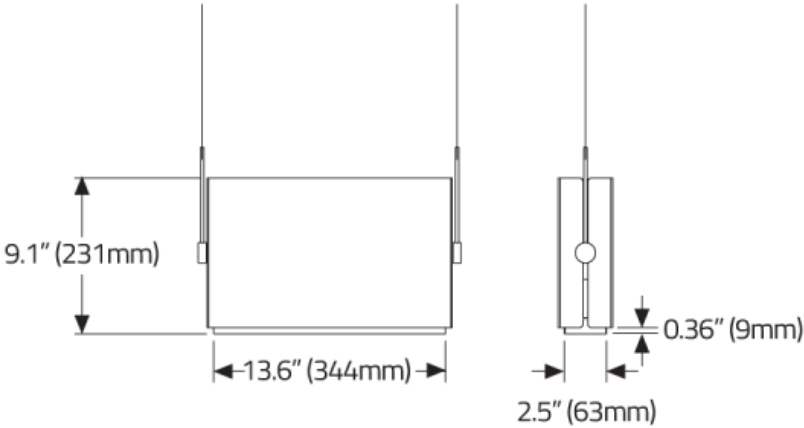


CANOPY D



MATREX DUAL™ - SUSPENDED

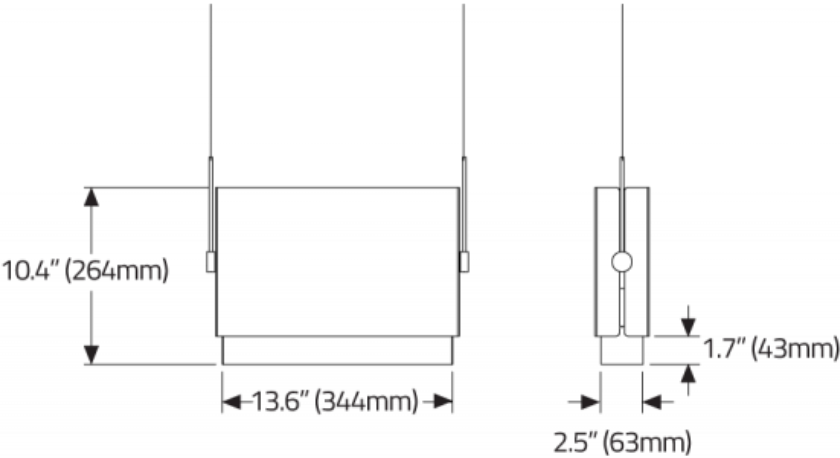
STANDARD SNOOT



STANDARD SNOOT

ISOMETRIC BOTTOM VIEW (STANDARD SNOOT)

LONG SNOOT



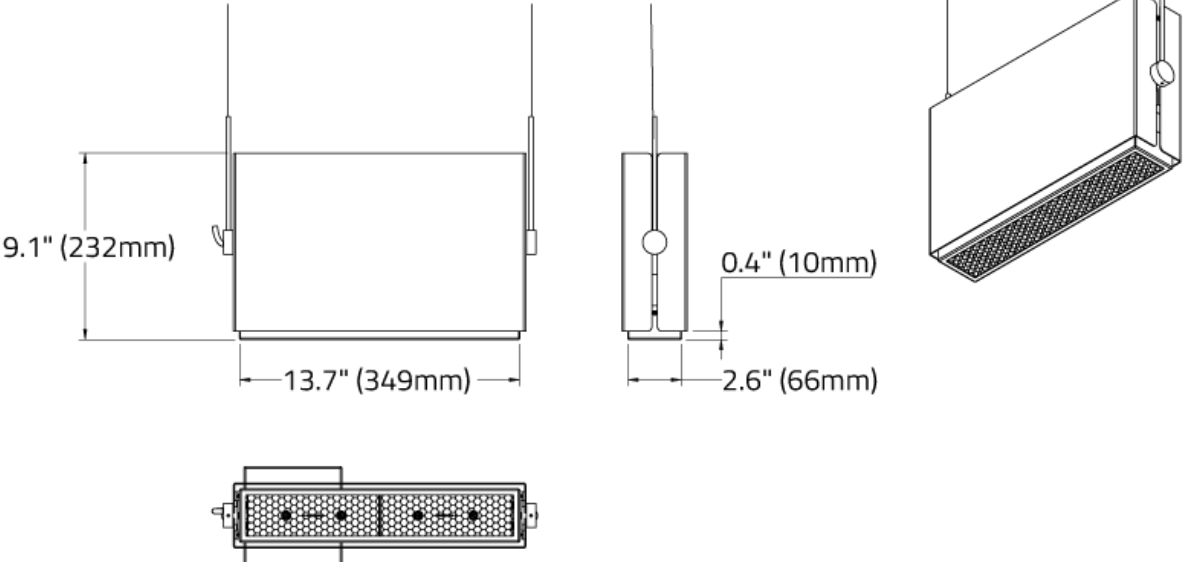
LONG SNOOT

ISOMETRIC BOTTOM VIEW (LONG SNOOT)

MATREX DUAL™ - SUSPENDED

LOUVRES

HEX CELL LOUVRE



LADDER LOUVRE

