

MATREX DUAL TWIST™ - SURFACE



Project Name:

Fixture Type:

Fixture Code:

Quantities:

A. LUMINAIRE

MXDT1P01 Double Down, 18400 lms **MXDT2P01** Direct/Indirect, 18400 lms

All data shown at max output and nominal values.
For MXDT2P01 (Direct/Indirect) the upper module will be direct and lower module will be indirect.

B. LUMENS (UPPER MODULE)

LMA0230 2300 **LMA0460** 4600 **LMA0690** 6900 **LMA0920** 9200

For MXDT2P01 (Direct/Indirect) the upper module will be direct and lower module will be indirect.

C. LUMENS (LOWER MODULE)

LMB0230 2300 **LMB0460** 4600 **LMB0690** 6900 **LMB0920** 9200

For MXDT2P01 (Direct/Indirect) the upper module will be direct and lower module will be indirect.

D. CRI

CR80 CRI 80+ **CR90** CRI 90+

E. CCT

CTA27 2700K¹ **CTA30** 3000K **CTA35** 3500K **CTA40** 4000K

¹ 2700K is only available with CRI 80+

F. BEAM ANGLE (UPPER MODULE)

BA15 15° **BA30** 30° **BA50** 50° **BA70** 70°
BA80 50°x80°¹

¹ Available with Double Down luminaire only.

G. BEAM ANGLE (LOWER MODULE)

BB15 15° **BB30** 30° **BB50** 50° **BB70** 70°
BB80 50°x80°¹

H. VOLTAGE

V1 120/277V **V2** 240V¹ **V3** 347V²

¹ Not available in North America

² Only available with DA01 dimming

MATREX DUAL TWIST™ - SURFACE

I. DIMMING

DA01 0-10V Dimming 1.0%

DA02 0-10V Dimming 0.1%¹

DA20 DALI Dimming 0.1%¹

DA21 DALI Dimming 1.0%¹

DA30 DSI/switchDim^{1 2}

¹ Not available with V3.

² Not available in North America.

J. FIXTURE FINISH

FA01 White

FA02 Black Metallic - Textured

FA20 Silver Metallic - Textured

FA25 Gold Metallic - Textured

FA44 Midnight Blue Metallic - Textured

FA46 Charcoal Metallic - Textured

FA47 Bronze Metallic - Textured

FA53 Red Metallic - Textured

K. SNOOT (UPPER MODULE)

NT1 Standard Snoot - Black¹

NT2 Standard Snoot - White¹

NT3 Long Snoot - Black¹

NT4 Long Snoot - White¹

NT7 Hex Louver - Black²

NT8 Ladder Louver - Black³

Consult IES files for exact beam angle and delivered lumens.

¹ A snoot must be picked at time of order, if you are not ordering a louver.

² Not available with Direct/Indirect (Indirect only), BA70 beam angle.

³ Available with Double Down and Direct/Indirect (Direct only), BA80 beam angle and 2300 lumens only.

L. SNOOT (LOWER MODULE)

NU1 Standard Snoot - Black¹

NU2 Standard Snoot - White¹

NU3 Long Snoot - Black¹

NU4 Long Snoot - White¹

NU7 Hex Louver - Black²

NU8 Ladder Louver - Black³

Consult IES files for exact beam angle and delivered lumens.

¹ A snoot must be picked at time of order, if you are not ordering a louver.

² Not available with Direct/Indirect (Indirect only), BA70 beam angle.

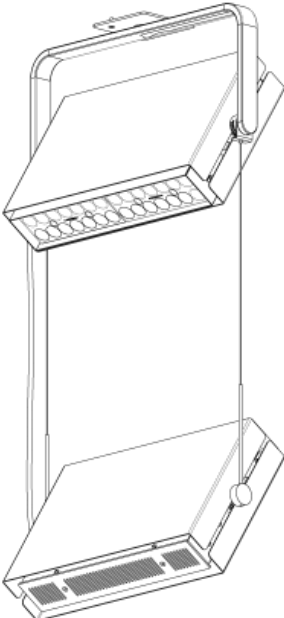
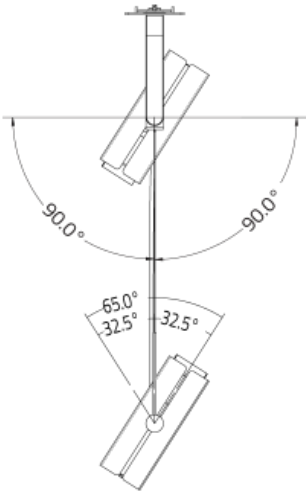
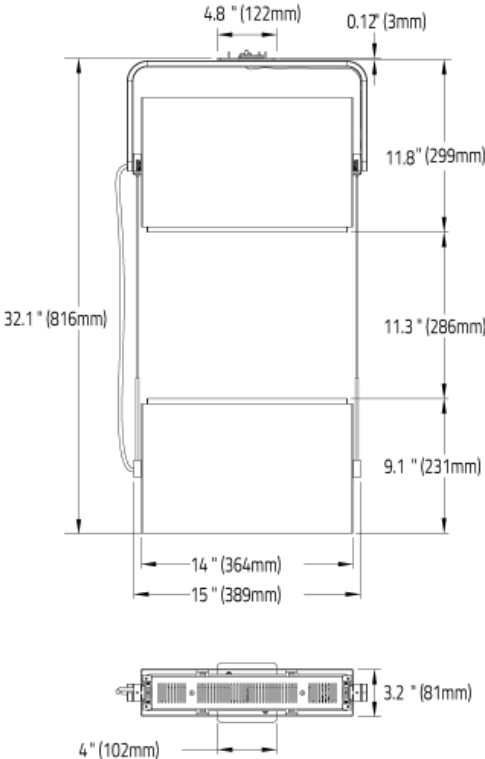
³ Available with Double Down and Direct/Indirect (Direct only), BA80 beam angle and 2300 lumens only.



MATREX DUAL TWIST™ - SURFACE

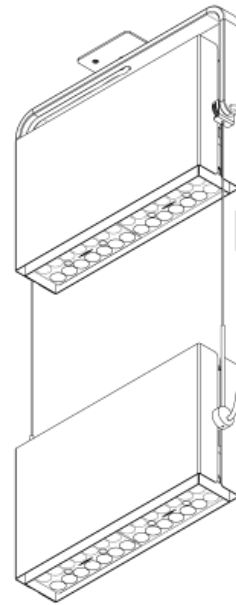
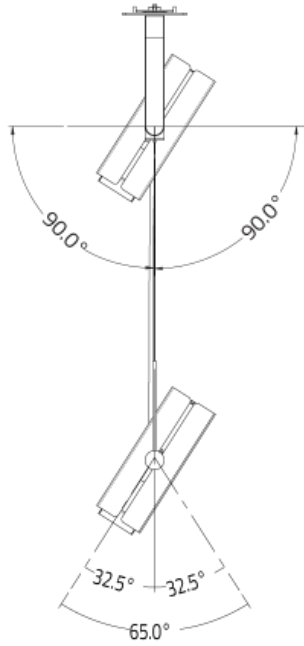
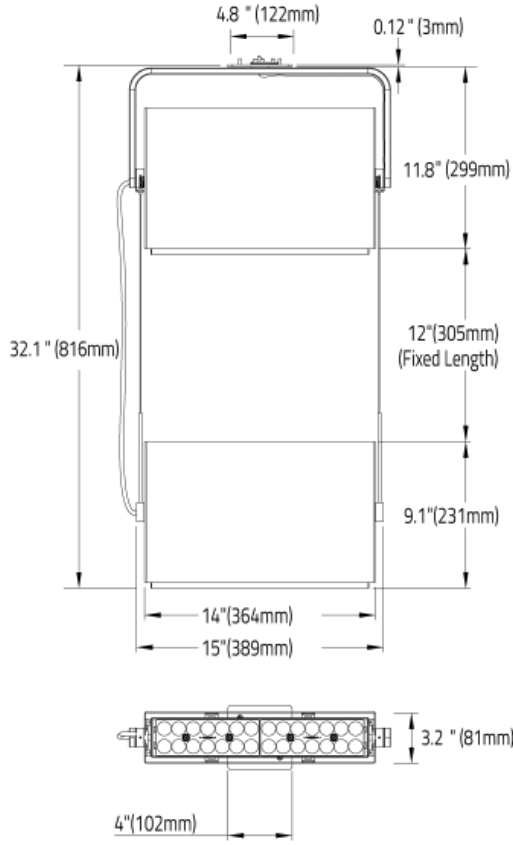
DIMENSIONAL DIAGRAMS

Direct Indirect

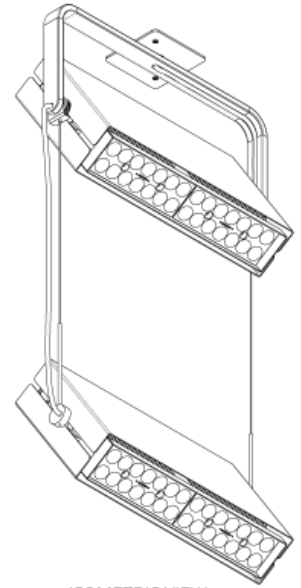


MATREX DUAL TWIST™ - SURFACE

Double Down



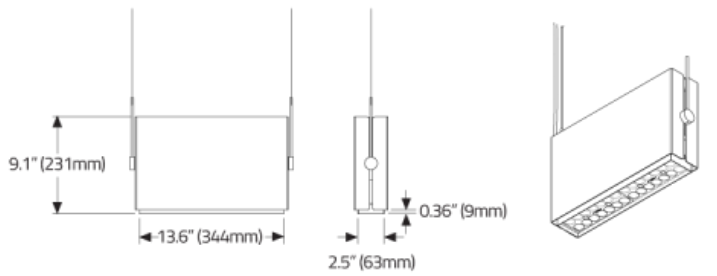
ISOMETRIC BOTTOM VIEW STRAIGHT



ISOMETRIC VIEW ANGLED

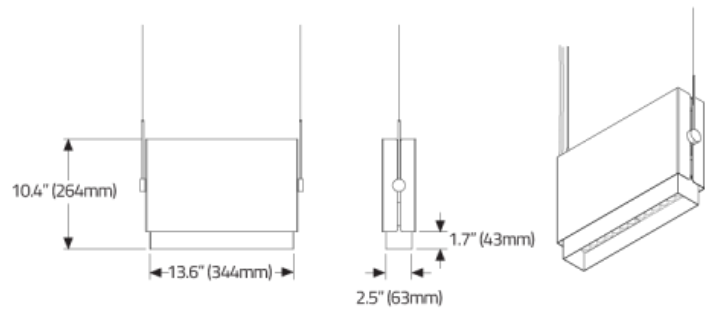
Snoots

STANDARD SNOOT



ISOMETRIC BOTTOM VIEW (STANDARD SNOOT)

LONG SNOOT

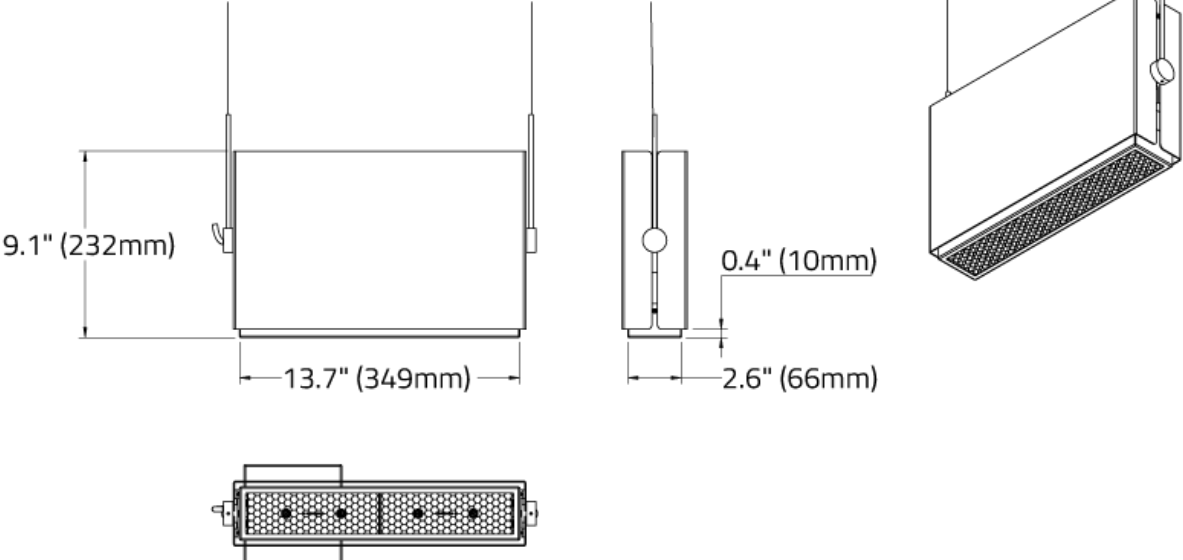


ISOMETRIC BOTTOM VIEW (LONG SNOOT)

MATREX DUAL TWIST™ - SURFACE

LOUVRES

HEX CELL LOUVRE



LADDER LOUVRE

