

MATREX RD DUAL TWIST™ - SURFACE



Project Name:

Fixture Type:

Fixture Code:

Quantities:

A. LUMINAIRE

MRDT1P01 Double Down, LEDs / Multi-Array Optics, 20100 lms

MRDT2P01 Direct/Indirect, LEDs / Multi-Array Optics, 20100 lms

MRDT1P02 Double Down, COB / Reflector, 10050 lms

MRDT2P02 Direct/Indirect, COB / Reflector, 10050 lms

All data shown at max output and nominal values.

For MRDT2P01 and MRDT2P02 (Direct/Indirect) the upper module will be direct and the lower module will be indirect.

B. LUMENS (UPPER MODULE)

LMA0250 2500

LMA0500 5025

LMA0750 7500¹

LMA1000 10050¹

For MRDT2P01 and MRDT2P02 (Direct/Indirect) the upper module will be direct and the lower module will be indirect.

¹ Not available with COB / Reflector.

* Max lumen values shown, refer to IES files for the different snoot and beam options.

C. LUMENS (LOWER MODULE)

LMB0250 2500

LMB0500 5025

LMB0750 7500¹

LMB1000 10050¹

For MRDT2P01 and MRDT2P02 (Direct/Indirect) the upper module will be direct and the lower module will be indirect.

¹ Not available with COB / Reflector.

* Max lumen values shown, refer to IES files for the different snoot and beam options.

D. CRI

CR80 CRI 80+

CR90 CRI 90+¹

¹ Not available with COB / Reflector.

E. CCT

CTA27 2700K¹

CTA30 3000K

CTA35 3500K

CTA40 4000K

¹ 2700K is only available with CRI 80+

F. BEAM ANGLE (UPPER MODULE)

BA15 15°¹

BA30 30°¹

BA50 50°

BA70 70°¹

¹ 15°, 30°, and 70° are not available with COB / Reflector.

G. BEAM ANGLE (LOWER MODULE)

BB15 15°¹

BB30 30°¹

BB50 50°

BB70 70°¹

¹ 15°, 30°, and 70° are not available with COB / Reflector.

H. VOLTAGE

V1 120/277V

V2 240V¹

V3 347V²

¹ Not available in North America

² Only available with DA01 dimming



MATREX RD DUAL TWIST™ - SURFACE

I. DIMMING

DA01 0-10V Dimming 1.0%

DA02 0-10V Dimming 0.1%¹

DA20 DALI Dimming 0.1%¹

DA21 DALI Dimming 1.0%¹

DA30 DSI/switchDim^{1 2}

¹ Not available with V3.

² Not available in North America.

J. FIXTURE FINISH

FA01 White

FA02 Black Metallic - Textured

FA20 Silver Metallic - Textured

FA44 Midnight Blue Metallic - Textured

FA46 Charcoal Metallic - Textured

FA47 Bronze Metallic - Textured

FA53 Red Metallic - Textured

K. SNOOTS AND LOUVER (UPPER MODULE)

NT1 Standard Snoot - Black¹

NT2 Standard Snoot - White¹

NT3 Long Snoot - Black^{1 2}

NT4 Long Snoot - White^{1 2}

NT9 Hex Louver - Black^{2 3}

For precise beam angle and lumen output, please refer to the IES files. Note that using snoots may decrease overall efficacy. For COB/Reflector, the bezel finish matches the snoot finish.

¹ A snoot must be picked at time of order, if you are not ordering a louver.

² Not available with COB / Reflector.

³ Not available with BA70 beam angle. Available with Double Down version only.

L. SNOOTS AND LOUVER (LOWER MODULE)

NU1 Standard Snoot - Black¹

NU2 Standard Snoot - White¹

NU3 Long Snoot - Black^{1 2}

NU4 Long Snoot - White^{1 2}

NU9 Hex Louver - Black^{2 3}

For precise beam angle and lumen output, please refer to the IES files. Note that using snoots and louvers may decrease overall efficacy.

For COB/Reflector, the bezel finish matches the snoot finish.

¹ A snoot must be picked at time of order, if you are not ordering a louver.

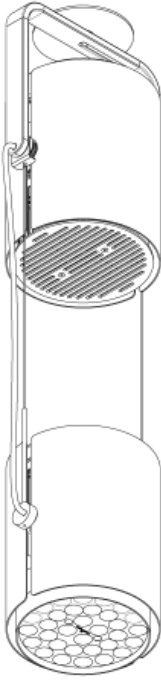
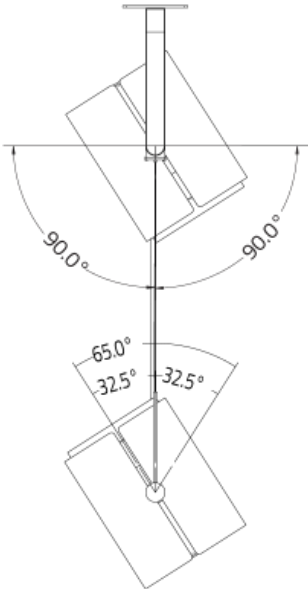
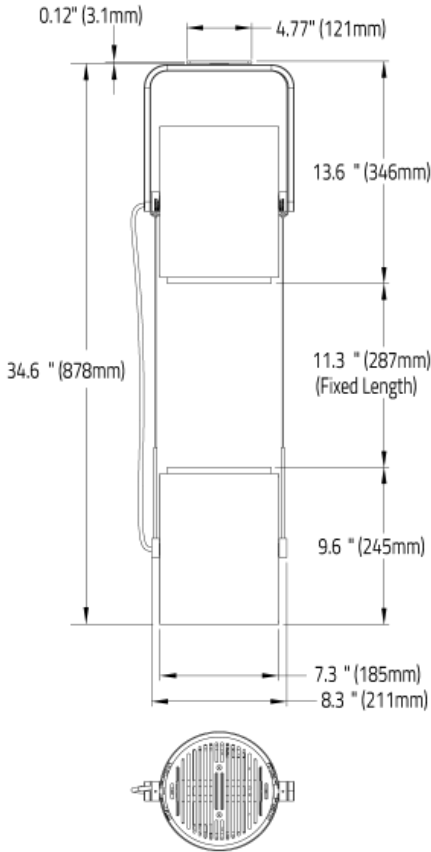
² Not available with BB70 beam angle. Available with Double Down version only.



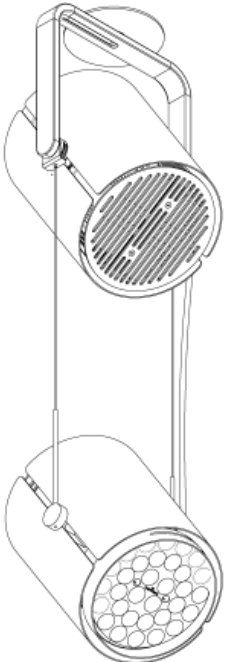
MATREX RD DUAL TWIST™ - SURFACE

DIMENSIONAL DIAGRAMS

Direct/Indirect



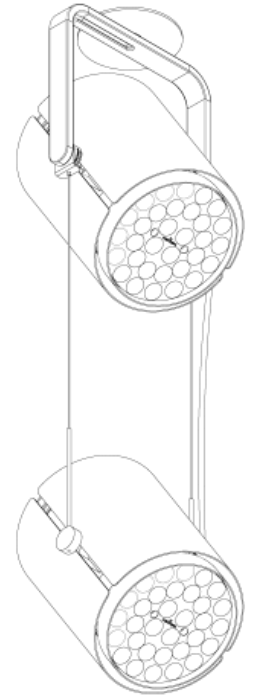
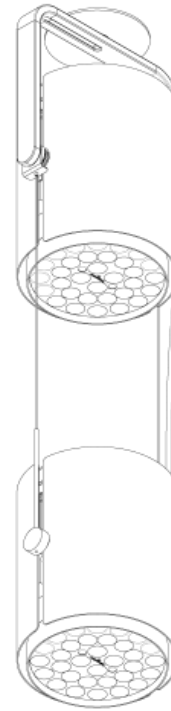
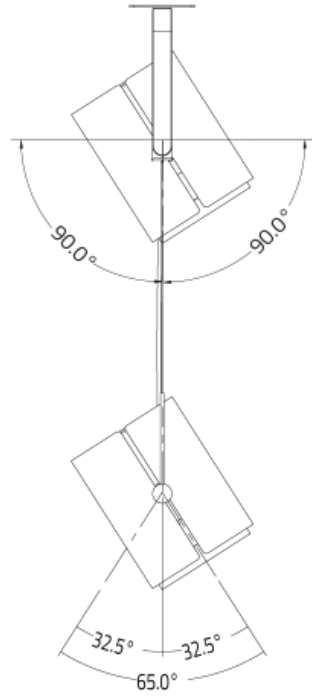
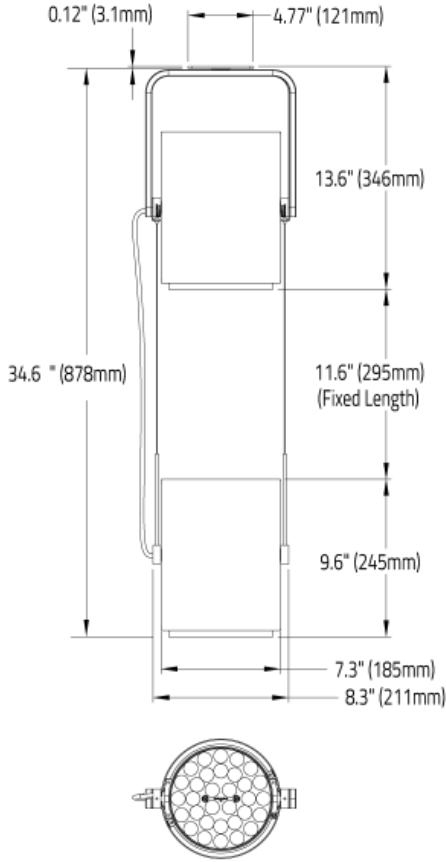
ISOMETRIC BOTTOM VIEW STRAIGHT



ISOMETRIC VIEW ANGLED

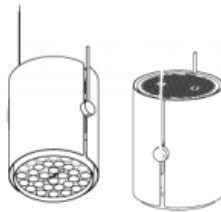
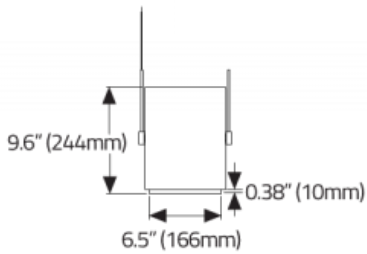
MATREX RD DUAL TWIST™ - SURFACE

Double Down

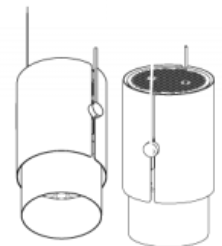
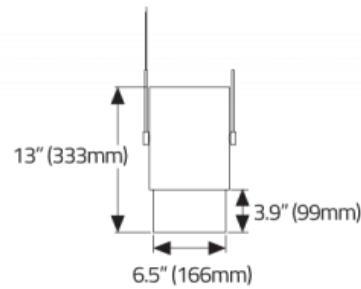


Snoots

STANDARD SNOOT



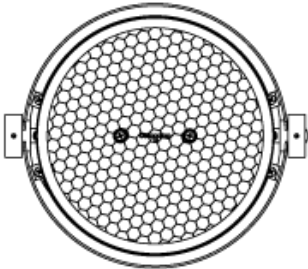
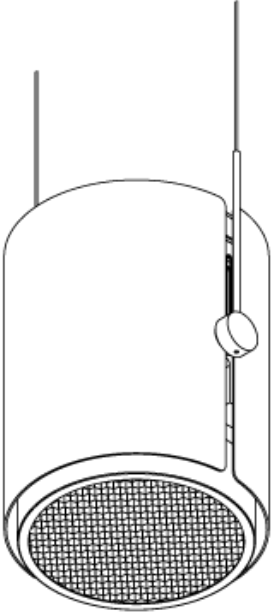
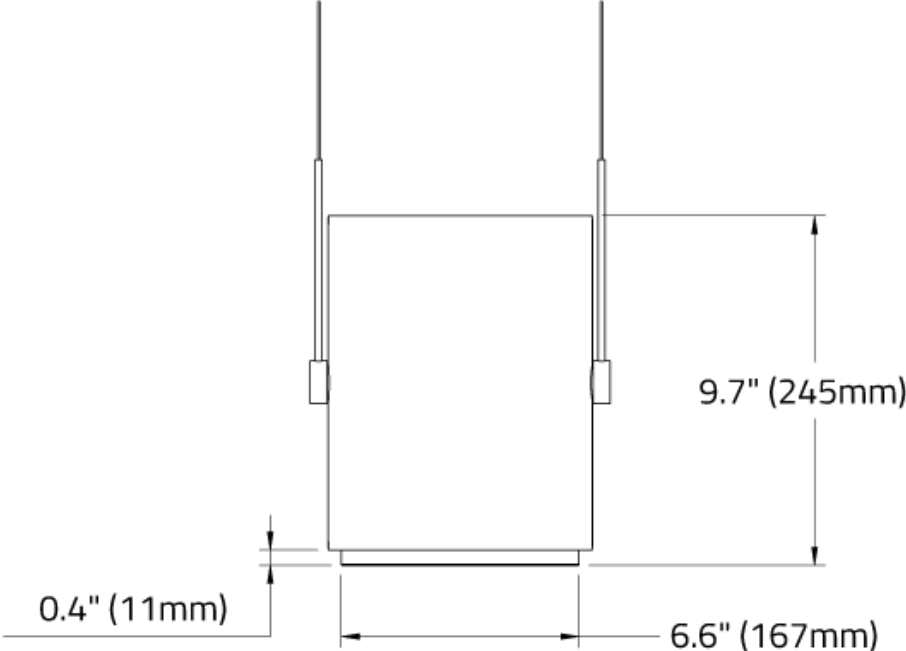
LONG SNOOT



MATREX RD DUAL TWIST™ - SURFACE

LOUVRE

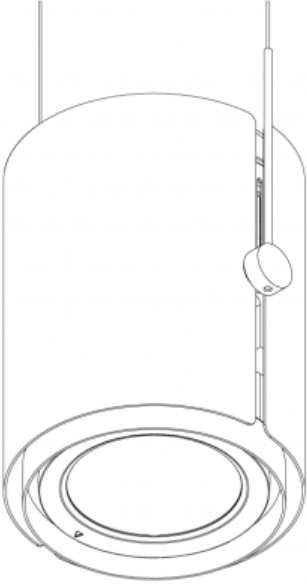
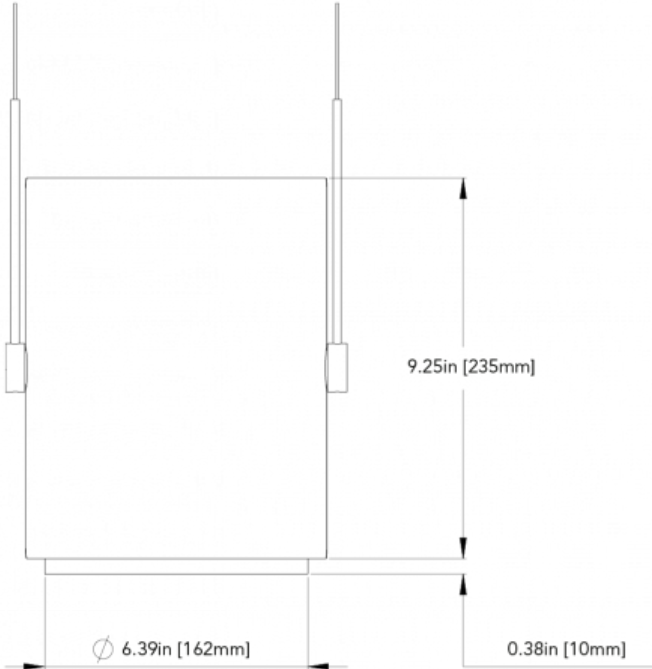
HEX CELL LOUVRE



MATREX RD DUAL TWIST™ - SURFACE

Matrex Round PD - COB

Matrex RD PD - COB



Isometric View

