



MATREX RD DUAL™

FULL SPECIFICATION SHEET



FIXTURE TYPE



FIXTURE CODE

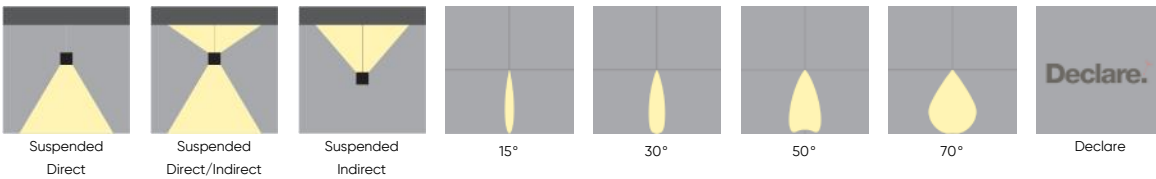


QUANTITIES

1 DESCRIPTION

MATREX is a family of spotlights packed with power for projecting light at great distances. With best-in-class thermal management and hidden heat sinks, **MATREX's** form factor is significantly smaller than traditional spotlights. Multiple mounting systems are available, providing a variety of functions that work in a range of applications, especially those with multiple ceiling heights. Suspension points originate from the sides allowing for unobstructed uplight. The revolutionary design delivers industry-leading performance from a significantly reduced form factor. The snoots are effective in controlling light spill and reducing glare.

2 OPTICS & FEATURES



3 APPROVALS



4 GENERAL SPECIFICATION

BODY AND TRIM

Steel and aluminum.

FINISH

Powder coated as specified. Custom paint finishes available to special order.

SUSPENSION

Steel cables.

INTEGRAL EMERGENCY SYSTEM (EU ONLY)

Emergency option provides a 3 hour emergency lighting facility. Integral emergency EU luminaires have a 13.4" (340mm) x 2.3" (58mm) canopy with LED charge indicator.

MECHANICAL

Luminaires mount to a junction box (by others - North America only).

DELIVERED LUMENS

Delivered lumens & lpw based on 4000K, CRI 80+.

REPORTED L70 @25°C (77°F)

> 60,000 hrs.

DESIGNED BY

Serge Cornelissen.

POWER CABLE

Silver braided.

DRIVERS

HPF, electronic, 120-277V, 347V (EU-240V). The driver is integral to the fixture housing except when ordering emergency, then the driver is integral to the canopy.

SENSORS

Consult factory regarding sensor compatibility.

APPROVALS

Damp Rated.

ESTIMATED L70 @25°C (77°F)

> 171,000 hrs.

SUSTAINABILITY

Designed for on-site LED board, driver, and optic replacement. Contact the factory for maintenance documentation.

5 DESIGN OPTIONS

FINISH - FIXTURE



White

Black
Metallic -
Textured

Silver
Metallic -
Textured

Gold Metallic
- Textured

Midnight
Blue Metallic
- Textured

Charcoal
Metallic -
Textured

Bronze
Metallic -
Textured

Red Metallic
- Textured

FINISH - CANOPY



White

Black
Metallic -
Textured

Silver
Metallic -
Textured

Gold Metallic
- Textured

Midnight
Blue Metallic
- Textured

Charcoal
Metallic -
Textured

Bronze
Metallic -
Textured

Red Metallic
- Textured

6 HOW TO ORDER

1. LUMINAIRE

MRDP1P01 Double Down, LEDs / Multi-Array Optics, 20100 lms
MRDP2P01 Direct/Indirect, LEDs / Multi-Array Optics, 20100 lms
MRDP3P01 Double Up, LEDs / Multi-Array Optics, 20100 lms
MRDP1P02 Double Down, COB / Reflector, 10050 lms
MRDP2P02 Direct/Indirect, COB / Reflector, 10050 lms
MRDP3P02 Double Up, COB / Reflector, 10050 lms

All data shown at max output and nominal values.

2. LUMENS (UPPER MODULE)

LMA0250 2500 **LMA0500** 5025 **LMA0750** 7500 ¹ **LMA1000** 10050 ¹

¹ Not available with COB / Reflector.

* Max lumen values shown, refer to IES files for the different snoot and beam options.

3. LUMENS (LOWER MODULE)

LMB0250 2500 **LMB0500** 5025 **LMB0750** 7500 ¹ **LMB1000** 10050 ¹

¹ Not available with COB / Reflector.

* Max lumen values shown, refer to IES files for the different snoot and beam options.

4. CRI

CR80 CRI 80+ **CR90** CRI 90+ ¹

¹ Not available with COB / Reflector.

5. CCT

CTA27 2700K ¹ **CTA30** 3000K **CTA35** 3500K **CTA40** 4000K

¹ 2700K is only available with CRI 80+ and LEDs / Multi-Array Optics.

6. BEAM ANGLE (UPPER MODULE)

BA15 15° ¹ **BA30** 30° ¹ **BA50** 50° **BA70** 70° ¹

¹ 15°, 30°, and 70° are not available with COB / Reflector.

7. BEAM ANGLE (LOWER MODULE)

BB15 15° ¹

BB30 30° ¹

BB50 50°

BB70 70° ¹

¹ 15°, 30°, and 70° are not available with COB / Reflector.

8. VOLTAGE

V1 120/277V

V2 240V ¹

V3 347V ²

¹ Not available in North America.

² Only available with DA01 dimming.

9. DIMMING

DA01 0-10V Dimming 1.0%

DA02 0-10V Dimming 0.1% ¹

DA20 DALI Dimming 0.1% ¹

DA21 DALI Dimming 1.0% ¹

DA30 DSI/switchDim ^{1 2}

DA40 DMX Dimming ^{1 3}

¹ Not available with 347V. ² Not available in North America. ³ Only available with CN4 canopy.

10. FIXTURE FINISH

FA01 White

FA02 Black Metallic - Textured

FA20 Silver Metallic - Textured

FA25 Gold Metallic - Textured

FA44 Midnight Blue Metallic -
Textured

FA46 Charcoal Metallic -
Textured

FA47 Bronze Metallic - Textured

FA53 Red Metallic - Textured

11. CANOPY

CN1 Canopy A ¹

CN2 Canopy B ¹

CN3 Canopy C ^{1 2}

CN4 Canopy D ^{1 3}

¹ Fits over a standard j-box (provided by others). ² Use with V2 (240V) only. ³ Ordered with E1 (Emergency Integral) or DA40 (DMX Dimming).

12. CANOPY FINISH

CF01 White

CF02 Black Metallic - Textured

CF20 Silver Metallic - Textured

CF25 Gold Metallic - Textured

CF44 Midnight Blue Metallic -
Textured

CF46 Charcoal Metallic -
Textured

CF47 Bronze Metallic - Textured

CF53 Red Metallic - Textured

13. SNOOTS AND LOUVER (UPPER MODULE)

NT1 Standard Snoot – Black ¹ **NT2** Standard Snoot – White ¹ **NT3** Long Snoot – Black ^{1 2} **NT4** Long Snoot – White ^{1 2}
NT5 Half Snoot – Black ^{1 2} **NT6** Half Snoot – White ^{1 2} **NT9** Hex Louver – Black ^{2 3}

For precise beam angle and lumen output, please refer to the IES files. Note that using snoots and louvers may decrease overall efficacy. For COB/Reflector, the bezel finish matches the snoot finish.

¹ Snoot must be picked at time of order, if not ordering a louver. ² Unavailable with COB / Reflector.

³ Unavailable with BA70 beam angle. Available with Double Down version only.

14. SNOOTS AND LOUVER (LOWER MODULE)

NU1 Standard Snoot – Black ¹ **NU2** Standard Snoot – White ¹ **NU3** Long Snoot – Black ^{1 2} **NU4** Long Snoot – White ^{1 2}
NU5 Half Snoot – Black ^{1 2} **NU6** Half Snoot – White ^{1 2} **NU9** Hex Louver – Black ^{2 3}

For precise beam angle and lumen output, please refer to the IES files. Note that using snoots may decrease overall efficacy. For COB/Reflector, the bezel finish matches the snoot finish.

¹ Snoot must be picked at time of order, if not ordering a louver. ² Unavailable with COB / Reflector. ³ Unavailable with BB70 beam angle.

15. EMERGENCY

E0 Emergency system not required **E1** Emergency system – Integral ¹
₂

¹ Integral emergency in the lower module only, drivers are in the canopy. Not available with 347V. Two power cables will be supplied.

² CN4 canopy only used when ordering emergency or DMX. Two power cables supplied.

16. SEPARATE SWITCHING

CS1 Single circuit **CS2** Separate switching ¹

¹ Two power cables will be supplied.

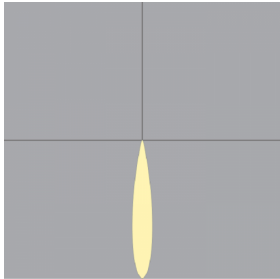
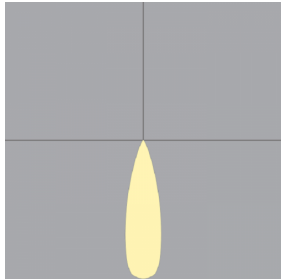
7 TECHNICAL DATA

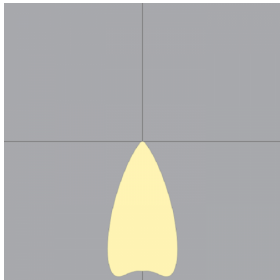
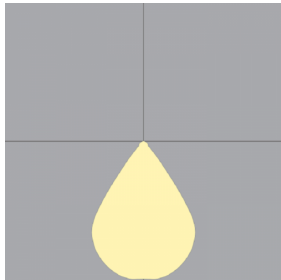
LUMINAIRE

All data shown at max output and nominal values.

Code	MRDP1P01	MRDP2P01	MRDP3P01	MRDP1P02	MRDP2P02	MRDP3P02
Light Direction	Double Down	Direct/Indirect	Double Up	Double Down	Direct/Indirect	Double Up
Max Wattage	186W	186W	186W	88W	88W	88W
Max Delivered lms	20100	20100	20100	10050	10050	10050
Max LPW	124	124	124	111	111	111

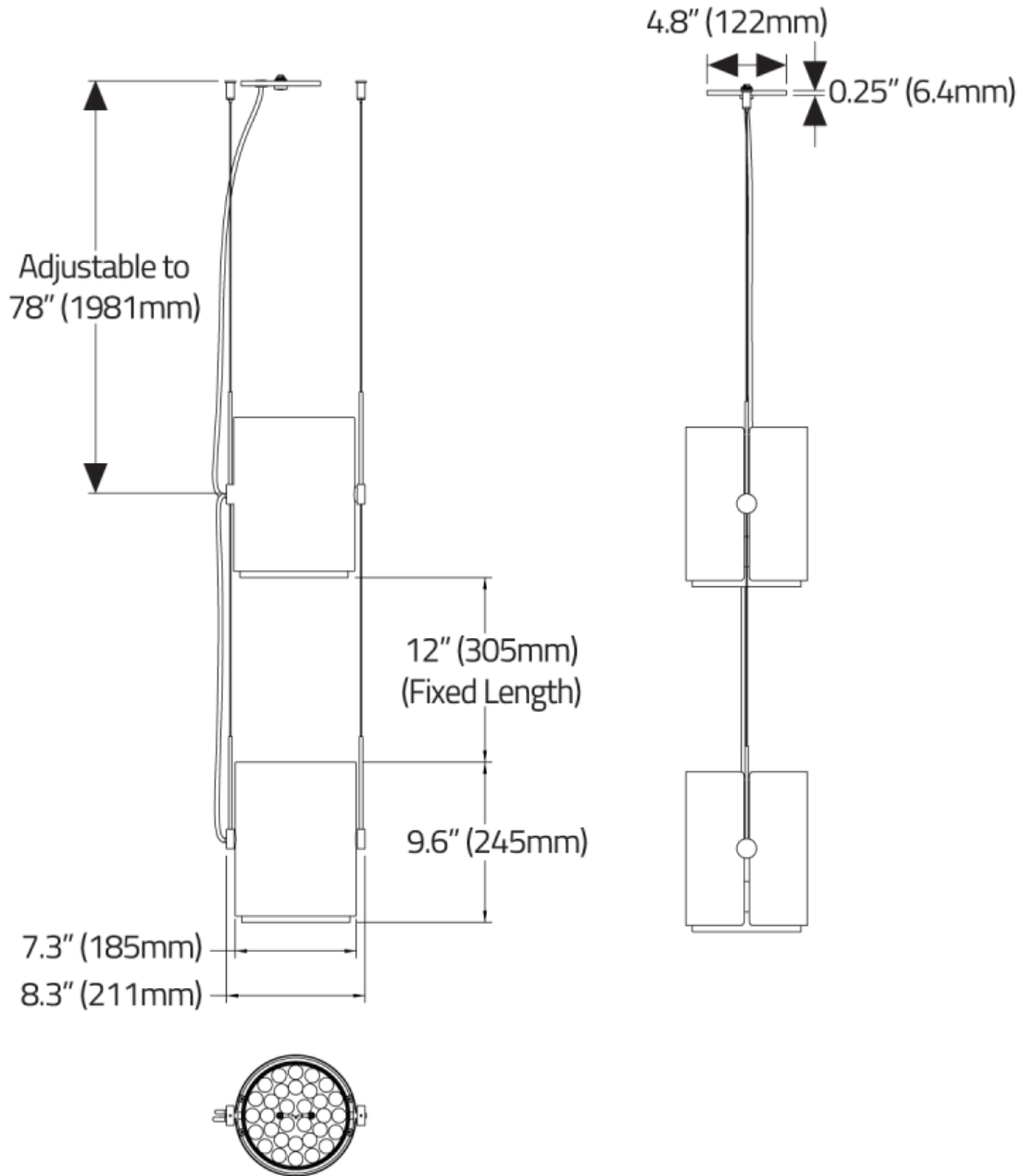
8 PERFORMANCE DATA

DIRECT 15° BEAM ANGLE	WATTS	LUMENS	LPW	DIRECT 30° BEAM ANGLE	WATTS	LUMENS	LPW
	38	5000	132		38	5000	135
	82	9800	121		82	10050	124
	130	14800	114		130	15000	116
	186	20000	106		186	20100	108

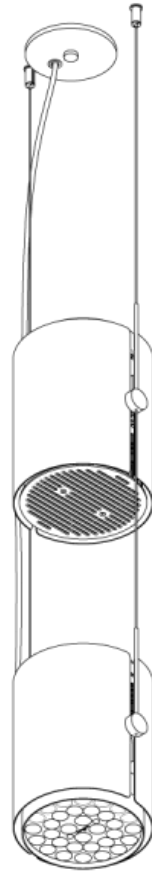
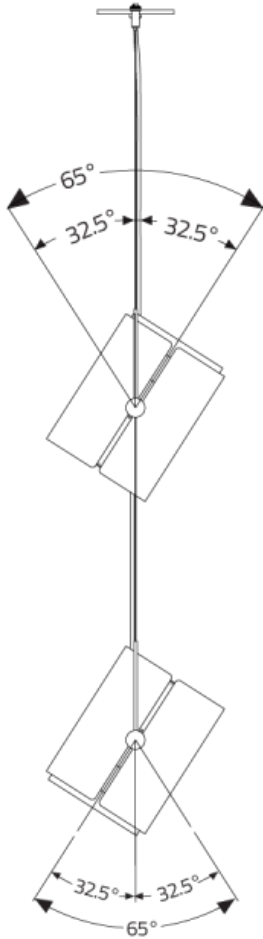
DIRECT 50° BEAM ANGLE	WATTS	LUMENS	LPW	DIRECT 70° BEAM ANGLE	WATTS	LUMENS	LPW
	38	4800	128		38	4800	129
	82	9600	117		82	9600	118
	130	14200	110		130	14400	111
	186	19000	102		186	19200	103

9 DIMENSIONAL DIAGRAMS

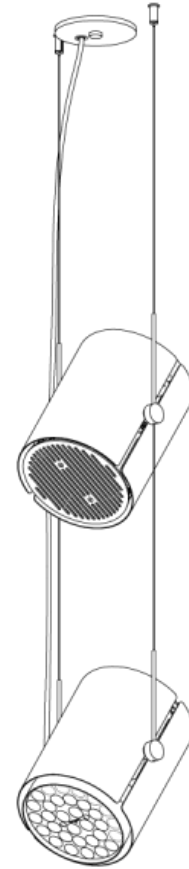
FIXTURE PROFILE



DIRECT/INDIRECT

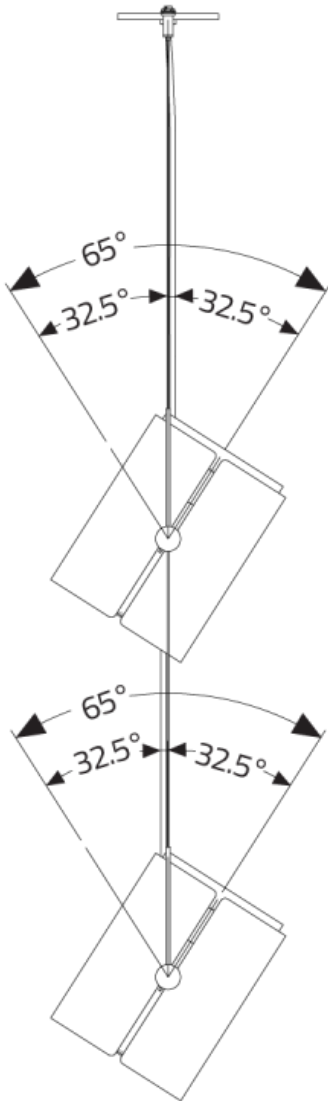


ISOMETRIC BOTTOM VIEW
(STRAIGHT)

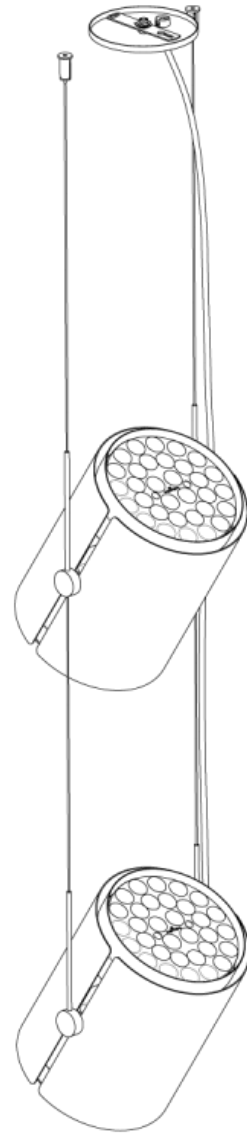
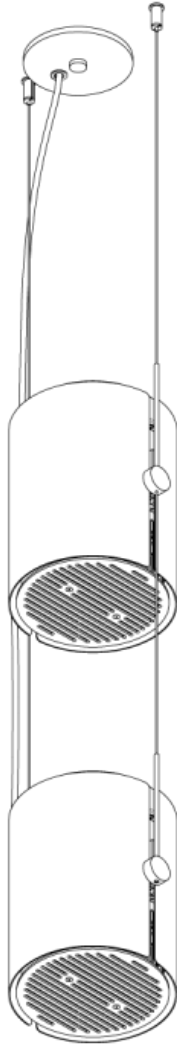


ISOMETRIC VIEW
(ANGLED)

DOUBLE UP

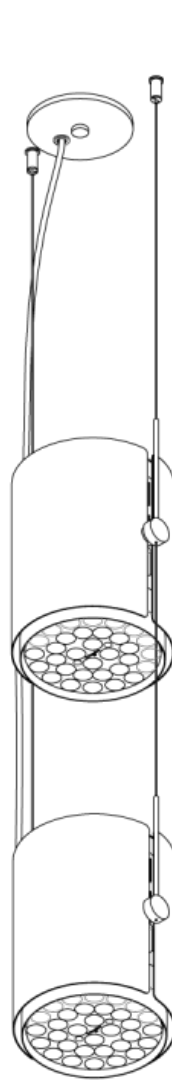
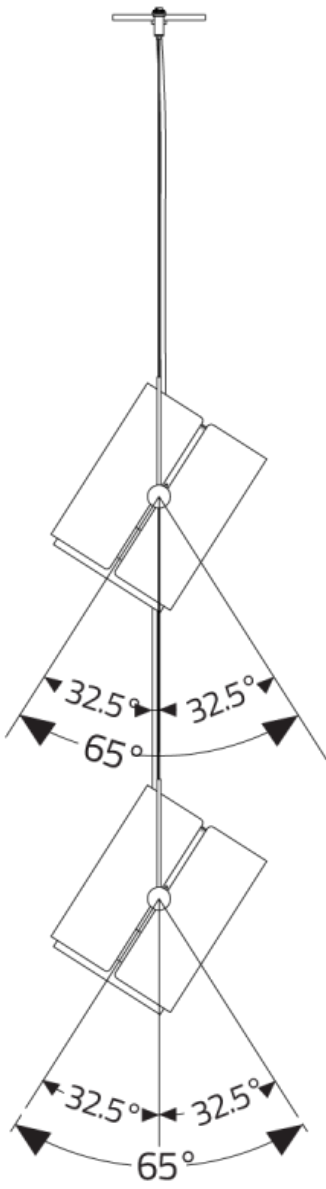


ISOMETRIC BOTTOM VIEW
(STRAIGHT)

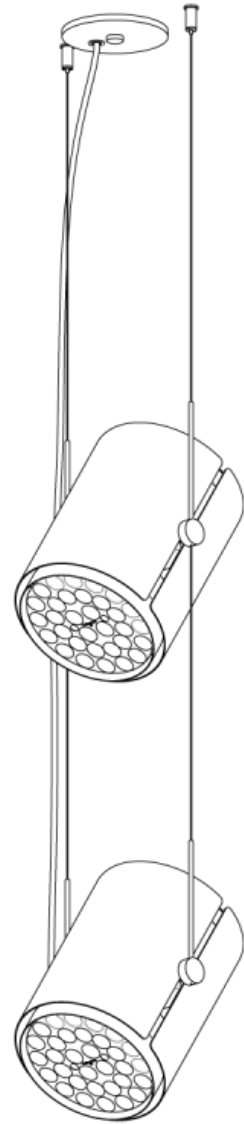


ISOMETRIC VIEW
(ANGLED)

DOUBLE DOWN

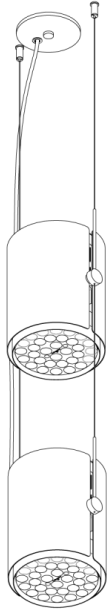


ISOMETRIC BOTTOM VIEW
(STRAIGHT)

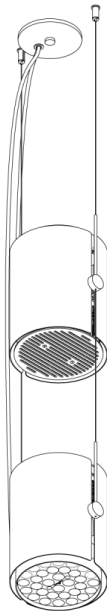


ISOMETRIC VIEW
(ANGLED)

SEPARATE SWITCHING (CS1, CS2)



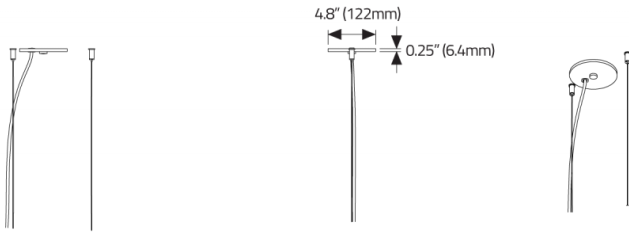
SINGLE SWITCHING



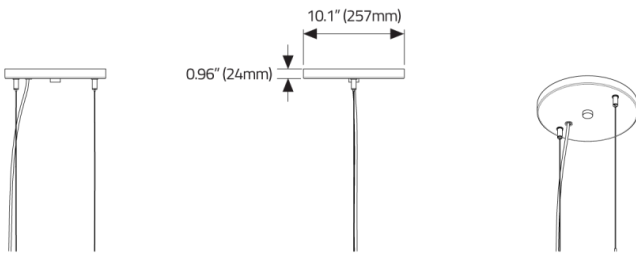
SEPARATE SWITCHING
(Two power cables supplied)

CANOPIES

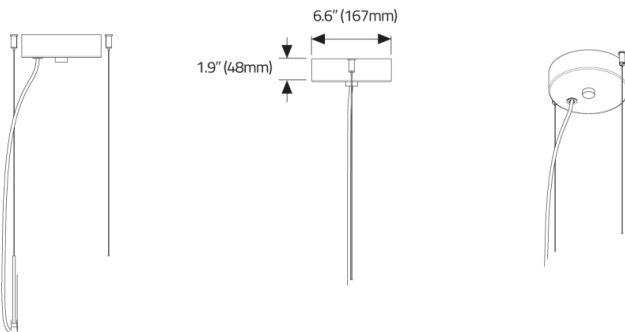
CANOPIE A



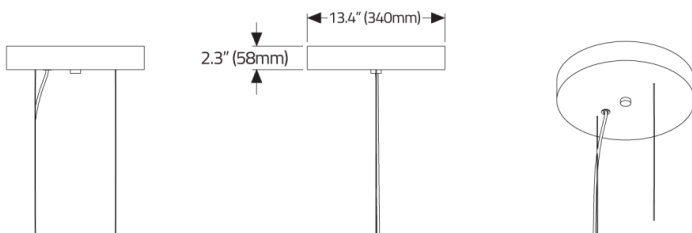
CANOPIE B



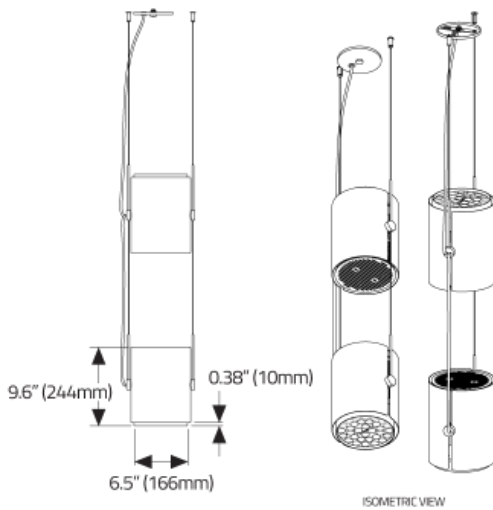
CANOPIE C



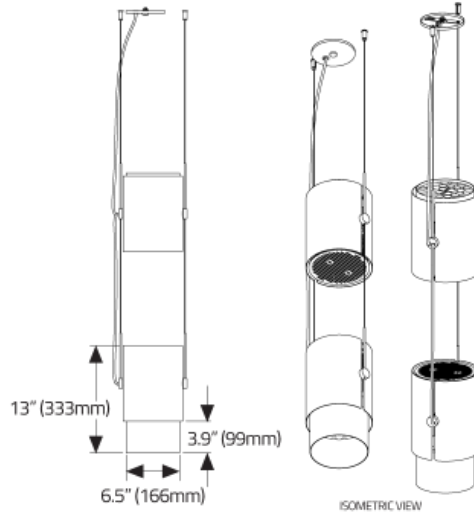
CANOPIE D



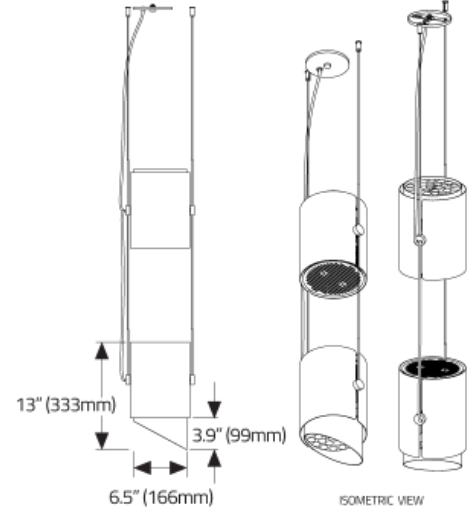
SNOOTS



STANDARD SNOOT



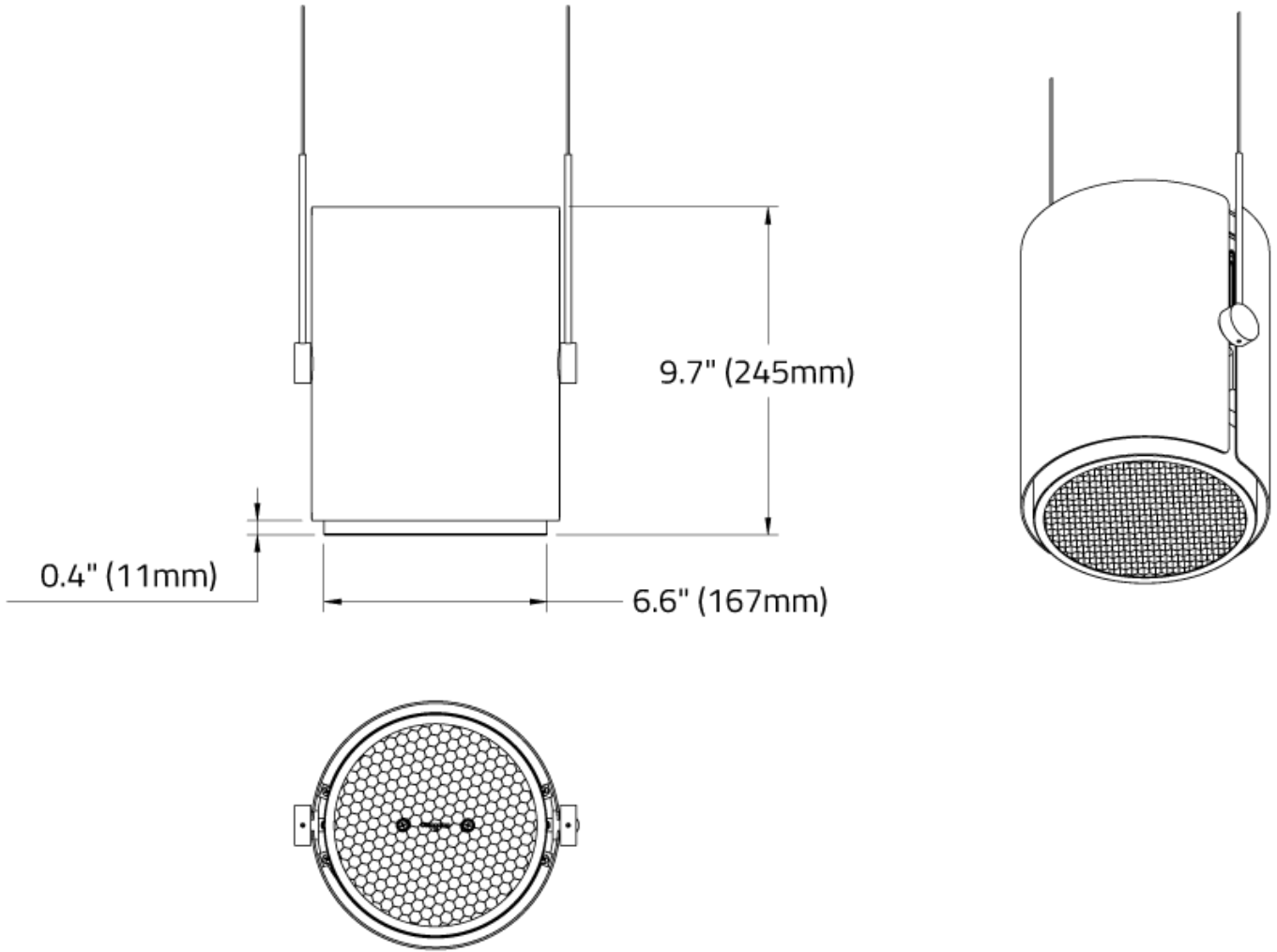
LONG SNOOT



HALF SNOOT

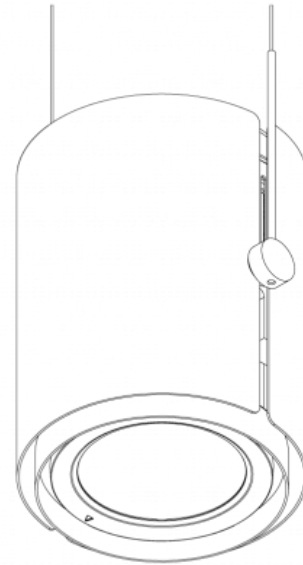
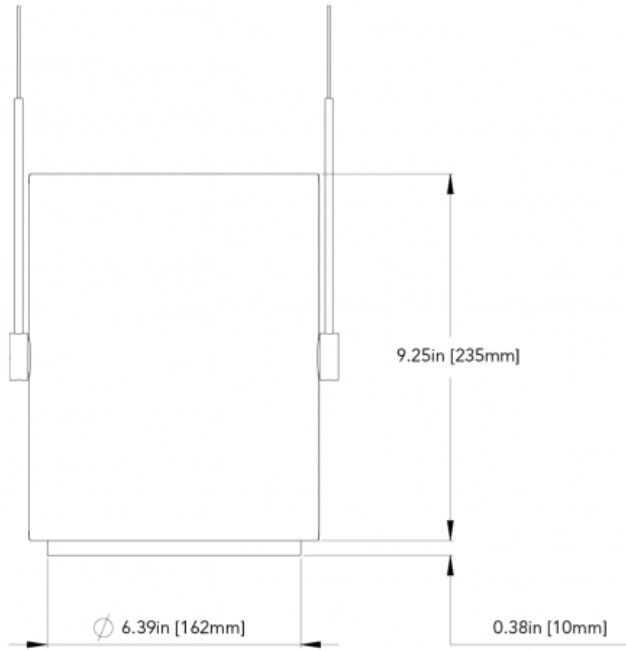
LOUVRE

HEX CELL LOUVRE



Matrex Round PD - COB

Matrex RD PD - COB



Isometric View

