

# MATREX RD DUAL™ - SUSPENDED



Project Name:

Fixture Type:

Fixture Code:

Quantities:

## A. LUMINAIRE

**MRDP1P01** Double Down, LEDs / Multi-Array Optics, 20100 lms

**MRDP2P01** Direct/Indirect, LEDs / Multi-Array Optics, 20100 lms

**MRDP3P01** Double Up, LEDs / Multi-Array Optics, 20100 lms

**MRDP1P02** Double Down, COB / Reflector, 10050 lms

**MRDP2P02** Direct/Indirect, COB / Reflector, 10050 lms

**MRDP3P02** Double Up, COB / Reflector, 10050 lms

All data shown at max output and nominal values.

## B. LUMENS (UPPER MODULE)

**LMA0250** 2500

**LMA0500** 5025

**LMA0750** 7500<sup>1</sup>

**LMA1000** 10050<sup>1</sup>

<sup>1</sup> Not available with COB / Reflector.

\* Max lumen values shown, refer to IES files for the different snoot and beam options.

## C. LUMENS (LOWER MODULE)

**LMB0250** 2500

**LMB0500** 5025

**LMB0750** 7500<sup>1</sup>

**LMB1000** 10050<sup>1</sup>

<sup>1</sup> Not available with COB / Reflector.

\* Max lumen values shown, refer to IES files for the different snoot and beam options.

## D. CRI

**CR80** CRI 80+

**CR90** CRI 90+<sup>1</sup>

<sup>1</sup> Not available with COB / Reflector.

## E. CCT

**CTA27** 2700K<sup>1</sup>

**CTA30** 3000K

**CTA35** 3500K

**CTA40** 4000K

<sup>1</sup> 2700K is only available with CRI 80+ and LEDs / Multi-Array Optics.

## F. BEAM ANGLE (UPPER MODULE)

**BA15** 15°<sup>1</sup>

**BA30** 30°<sup>1</sup>

**BA50** 50°

**BA70** 70°<sup>1</sup>

<sup>1</sup> 15°, 30°, and 70° are not available with COB / Reflector.

## G. BEAM ANGLE (LOWER MODULE)

**BB15** 15°<sup>1</sup>

**BB30** 30°<sup>1</sup>

**BB50** 50°

**BB70** 70°<sup>1</sup>

<sup>1</sup> 15°, 30°, and 70° are not available with COB / Reflector.

## H. VOLTAGE

**V1** 120/277V

**V2** 240V<sup>1</sup>

**V3** 347V<sup>2</sup>

<sup>1</sup> Not available in North America.

<sup>2</sup> Only available with DA01 dimming.

# MATREX RD DUAL™ - SUSPENDED

## I. DIMMING

**DA01** 0-10V Dimming 1.0%

**DA02** 0-10V Dimming 0.1%<sup>1</sup>

**DA20** DALI Dimming 0.1%<sup>1</sup>

**DA21** DALI Dimming 1.0%<sup>1</sup>

**DA30** DSI/switchDim<sup>1 2</sup>

**DA40** DMX Dimming<sup>1 3</sup>

<sup>1</sup> Not available with 347V.

<sup>2</sup> Not available in North America.

<sup>3</sup> Only available with CN4 canopy.

## J. FIXTURE FINISH

**FA01** White

**FA02** Black Metallic - Textured

**FA20** Silver Metallic - Textured

**FA25** Gold Metallic - Textured

**FA44** Midnight Blue Metallic - Textured

**FA46** Charcoal Metallic - Textured

**FA47** Bronze Metallic - Textured

**FA53** Red Metallic - Textured

## K. CANOPY

**CN1** Canopy A<sup>1</sup>

**CN2** Canopy B<sup>1</sup>

**CN3** Canopy C<sup>1 2</sup>

**CN4** Canopy D<sup>1 3</sup>

<sup>1</sup> Fits over a standard j-box (provided by others)

<sup>2</sup> For use with V2 (240V) only.

<sup>3</sup> To be ordered with E1 (Emergency Integral) or DA40 (DMX Dimming)

## L. CANOPY FINISH

**CF01** White

**CF02** Black Metallic - Textured

**CF20** Silver Metallic - Textured

**CF25** Gold Metallic - Textured

**CF44** Midnight Blue Metallic - Textured

**CF46** Charcoal Metallic - Textured

**CF47** Bronze Metallic - Textured

**CF53** Red Metallic - Textured

## M. SNOOTS AND LOUVER (UPPER MODULE)

**NT1** Standard Snoot - Black<sup>1</sup>

**NT2** Standard Snoot - White<sup>1</sup>

**NT3** Long Snoot - Black<sup>1 2</sup>

**NT4** Long Snoot - White<sup>1 2</sup>

**NT5** Half Snoot - Black<sup>1 2</sup>

**NT6** Half Snoot - White<sup>1 2</sup>

**NT9** Hex Louver - Black<sup>2 3</sup>

For precise beam angle and lumen output, please refer to the IES files. Note that using snoots and louvers may decrease overall efficacy.

For COB/Reflector, the bezel finish matches the snoot finish.

<sup>1</sup> A snoot must be picked at time of order, if you are not ordering a louver.

<sup>2</sup> Not available with COB / Reflector.

<sup>3</sup> Not available with BA70 beam angle. Available with Double Down version only.

## N. SNOOTS AND LOUVER (LOWER MODULE)

**NU1** Standard Snoot - Black<sup>1</sup>

**NU2** Standard Snoot - White<sup>1</sup>

**NU3** Long Snoot - Black<sup>1 2</sup>

**NU4** Long Snoot - White<sup>1 2</sup>

**NU5** Half Snoot - Black<sup>1 2</sup>

**NU6** Half Snoot - White<sup>1 2</sup>

**NU9** Hex Louver - Black<sup>2 3</sup>

For precise beam angle and lumen output, please refer to the IES files. Note that using snoots may decrease overall efficacy.

For COB/Reflector, the bezel finish matches the snoot finish.

<sup>1</sup> A snoot must be picked at time of order, if you are not ordering a louver.

<sup>2</sup> Not available with COB / Reflector.

<sup>3</sup> Not available with BB70 beam angle.

## O. EMERGENCY

**E0** Emergency system not required

**E1** Emergency system - Integral<sup>1 2</sup>

<sup>1</sup> Integral emergency in the lower module only, drivers are in the canopy. Not available with 347V. Two power cables will be supplied.

<sup>2</sup> CN4 canopy only used when ordering emergency or DMX. Two power cables supplied.



# MATREX RD DUAL™ - SUSPENDED

## P. SEPARATE SWITCHING

**CS1** Single circuit

**CS2** Separate switching <sup>1</sup>

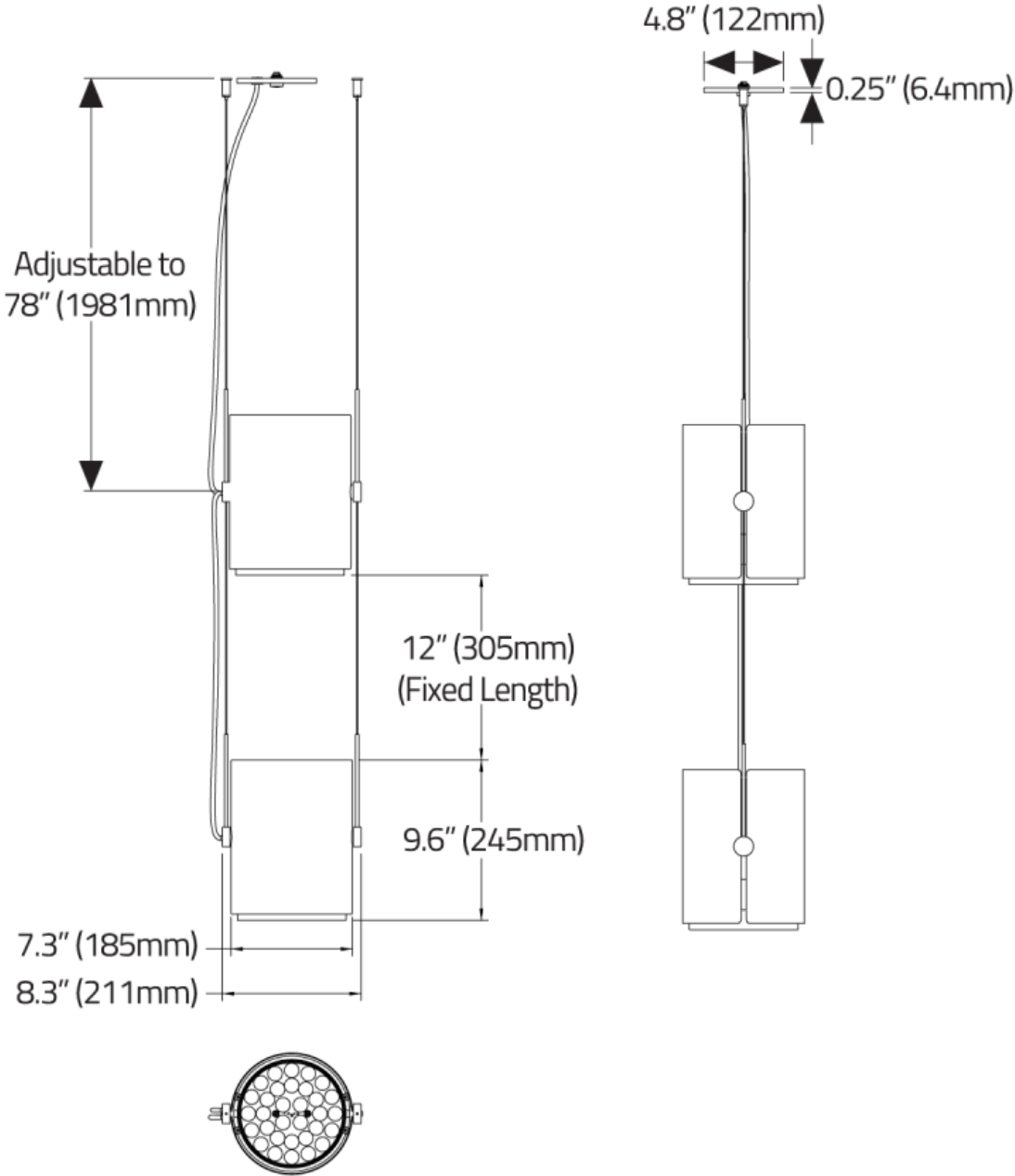
---

<sup>1</sup> Two power cables will be supplied.

# MATREX RD DUAL™ - SUSPENDED

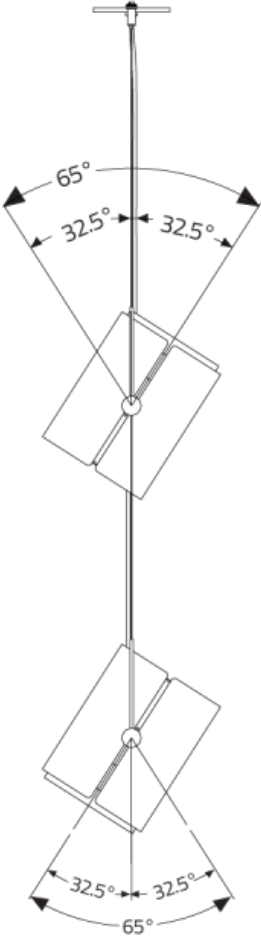
## DIMENSIONAL DIAGRAMS

### FIXTURE PROFILE

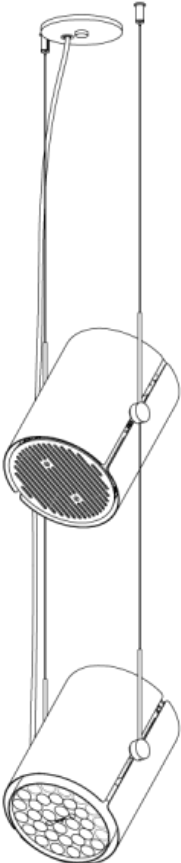


# MATREX RD DUAL™ - SUSPENDED

DIRECT/INDIRECT



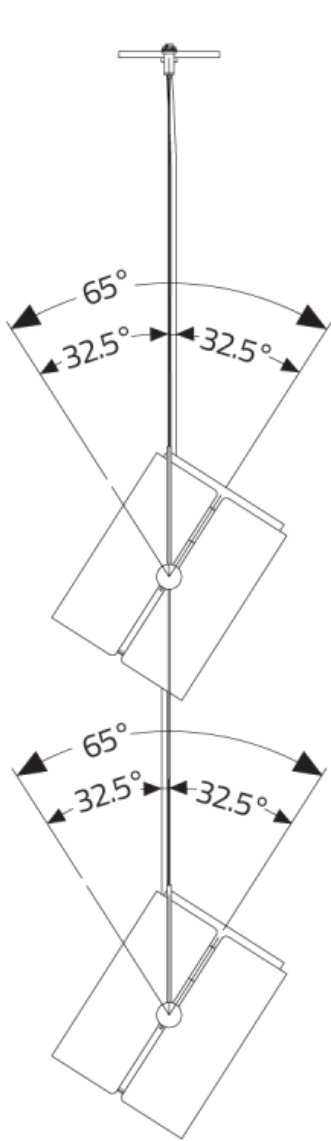
ISOMETRIC BOTTOM VIEW  
(STRAIGHT)



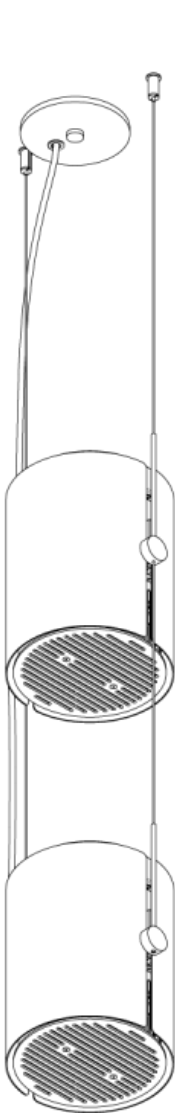
ISOMETRIC VIEW  
(ANGLED)

# MATREX RD DUAL™ - SUSPENDED

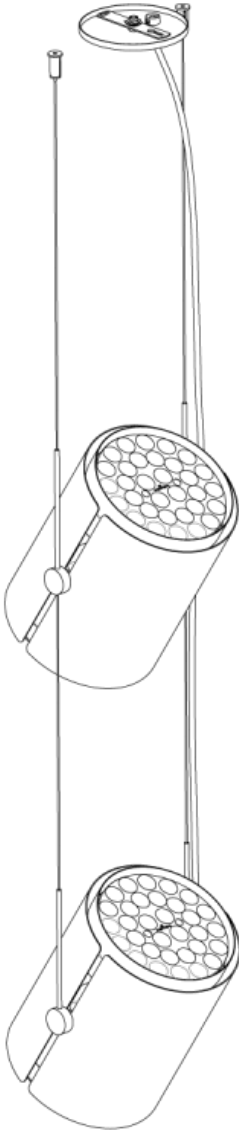
DOUBLE UP



ISOMETRIC BOTTOM VIEW  
(STRAIGHT)

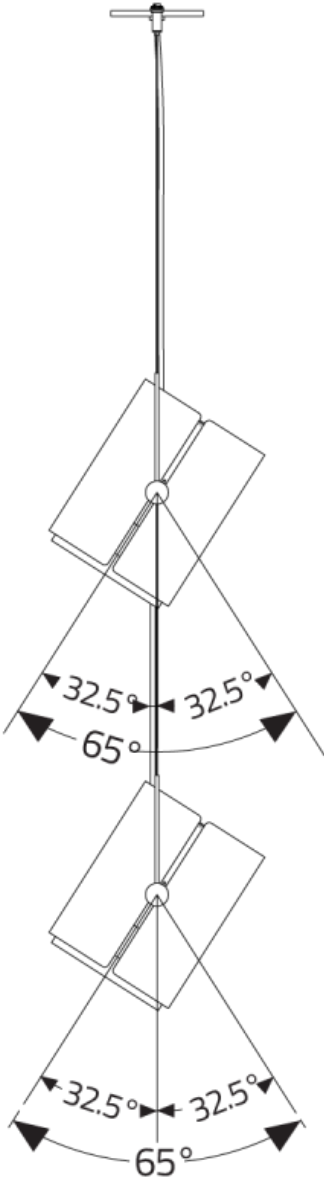


ISOMETRIC VIEW  
(ANGLED)

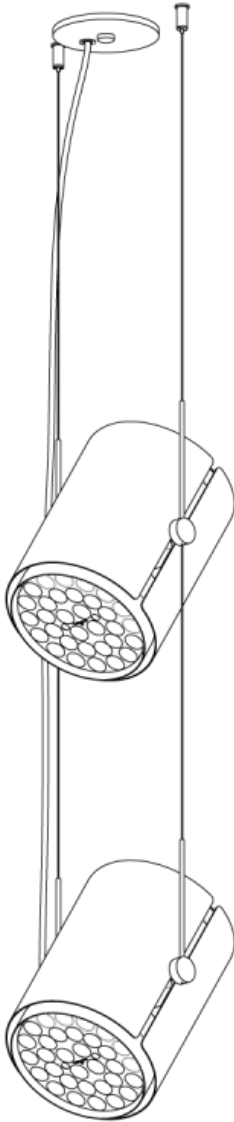
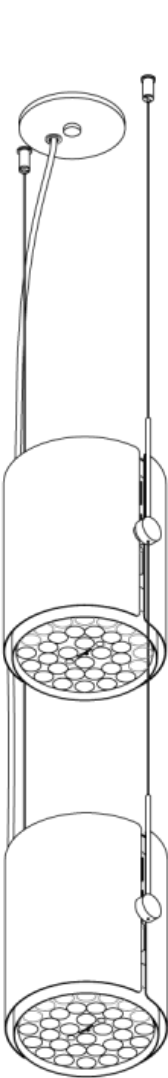


# MATREX RD DUAL™ - SUSPENDED

DOUBLE DOWN



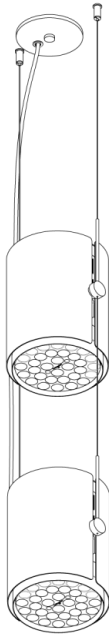
ISOMETRIC BOTTOM VIEW (STRAIGHT)



ISOMETRIC VIEW (ANGLED)

# MATREX RD DUAL™ - SUSPENDED

SEPARATE SWITCHING (CS1, CS2)



SINGLE SWITCHING



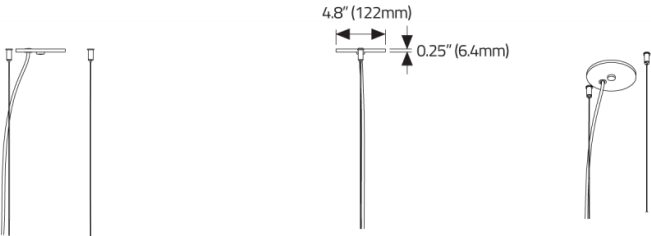
SEPARATE SWITCHING  
(Two power cables supplied)



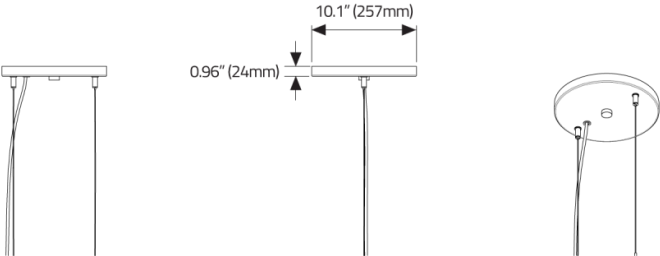
# MATREX RD DUAL™ - SUSPENDED

## CANOPIES

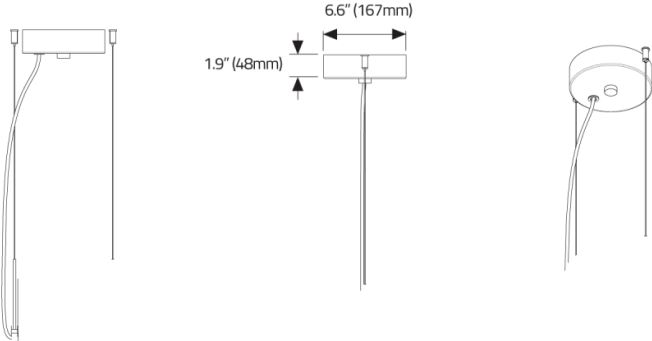
CANOPY A



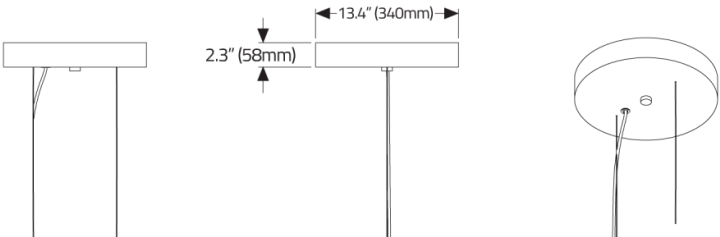
CANOPY B



CANOPY C

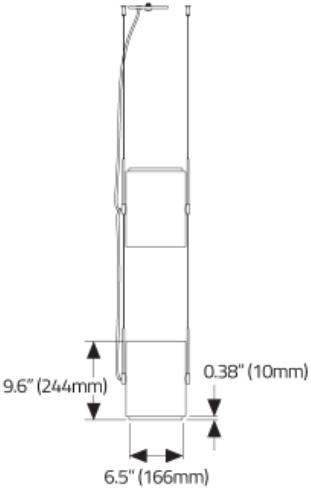


CANOPY D

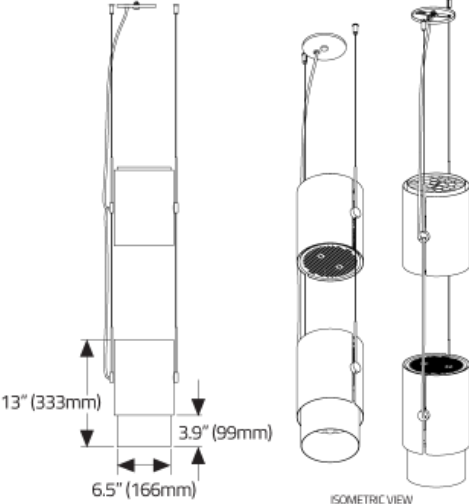


# MATREX RD DUAL™ - SUSPENDED

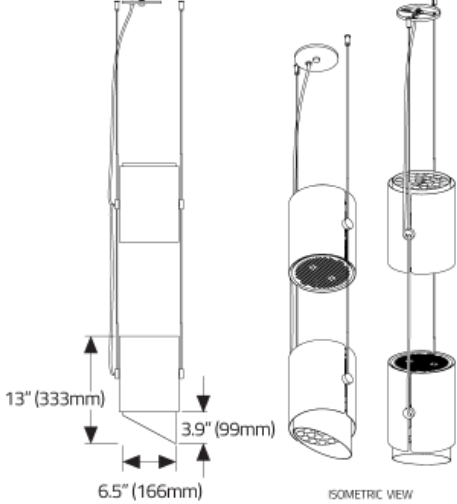
## SNOOTS



STANDARD SNOOT



LONG SNOOT

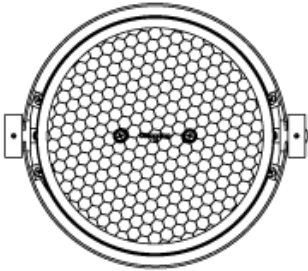
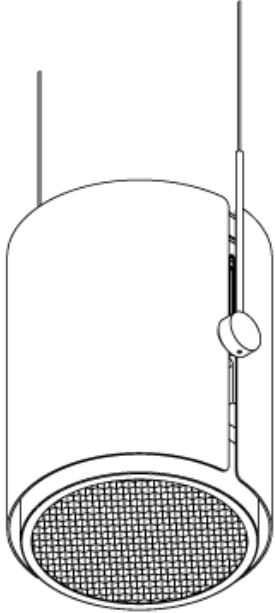
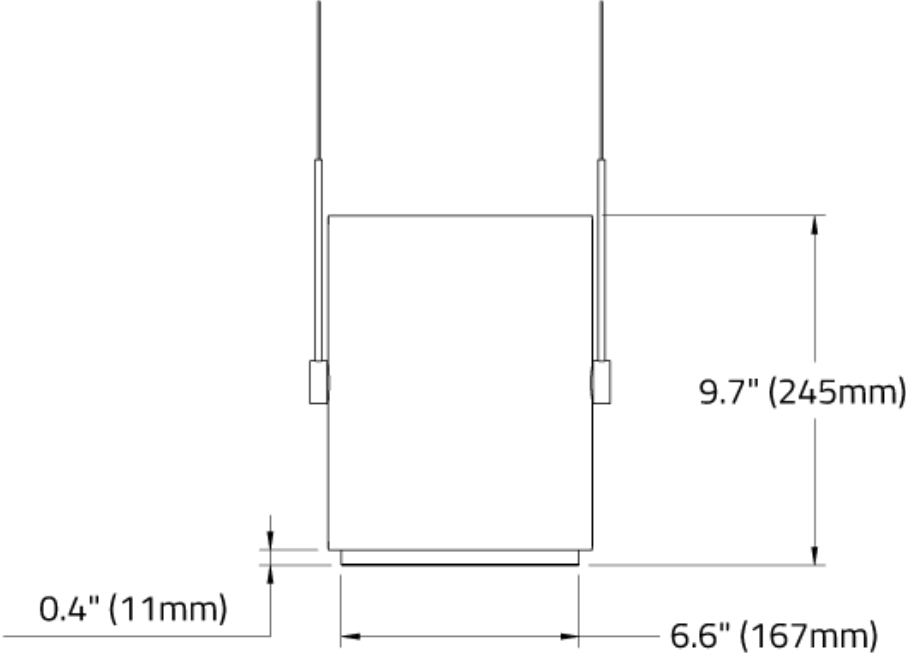


HALF SNOOT

# MATREX RD DUAL™ - SUSPENDED

LOUVRE

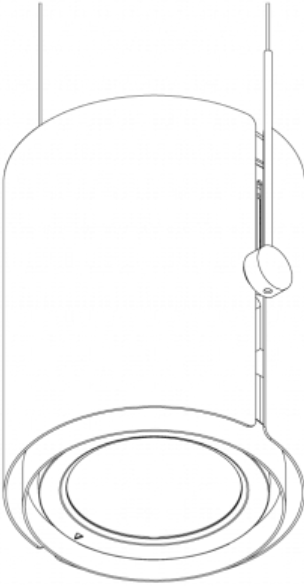
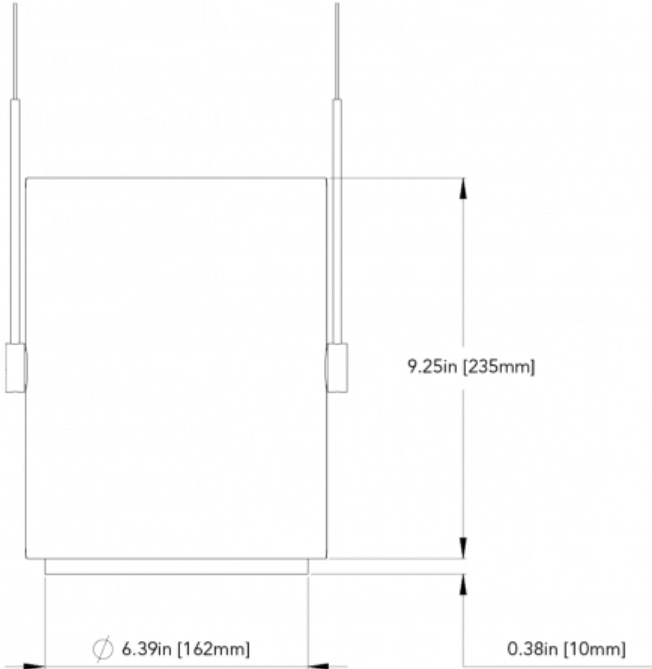
## HEX CELL LOUVRE



# MATREX RD DUAL™ - SUSPENDED

Matrex Round PD - COB

## Matrex RD PD - COB



Isometric View

