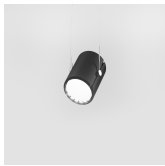


MATREX RD SINGLE™ - SUSPENDED



Project Name:

Fixture Type:

Fixture Code:

Quantities:

A. LUMINAIRE

MTRP1P01 Direct, LEDs / Multi-Array Optics, 10050 lms

MTRP2P01 Indirect, LEDs / Multi-Array Optics, 10050 lms

MTRP1P02 Direct, COB / Reflector, 5025 lms

MTRP2P02 Indirect, COB / Reflector, 5025 lms

All data shown at max output and nominal values.

B. LUMENS

LMA0250 2500

LMA0500 5025

LMA0750 7500¹

LMA1000 10050¹

¹ Not available with COB / Reflector.

* Max lumen values shown, refer to IES files for the different snoot and beam options.

C. CRI

CR80 CRI 80+

CR90 CRI 90+¹

¹ Not available with COB / Reflector.

D. CCT/CRI

CTA27 2700K¹

CTA30 3000K

CTA35 3500K

CTA40 4000K

¹ 2700K is only available with CRI 80+ and LEDs / Multi-Array Optics.

E. BEAM ANGLE

BA15 15°¹

BA30 30°¹

BA50 50°

BA70 70°¹

¹ 15°, 30°, and 70° are not available with COB / Reflector.

F. VOLTAGE

V1 120/277V

V2 240V¹

V3 347V²

¹ Not available in North America.

² Only available with DA01 dimming.

G. DIMMING

DA01 0-10V Dimming 1.0%

DA02 0-10V Dimming 0.1%¹

DA20 DALI Dimming 0.1%¹

DA21 DALI Dimming 1.0%¹

DA30 DSI/switchDim^{1 2}

DA40 DMX Dimming^{1 3}

¹ Not available with 347V.

² Not available in North America.

³ Must be used with CN4 canopy.

H. FIXTURE FINISH

FA01 White

FA02 Black Metallic - Textured

FA20 Silver Metallic - Textured

FA25 Gold Metallic - Textured

FA44 Midnight Blue Metallic - Textured

FA46 Charcoal Metallic - Textured

FA47 Bronze Metallic - Textured

FA53 Red Metallic - Textured



MATREX RD SINGLE™ - SUSPENDED

I. CANOPY

CN1 Canopy A ¹

CN2 Canopy B ¹

CN3 Canopy C ^{1 2}

CN4 Canopy D ^{1 3}

¹ Fits over a standard j-box (provided by others).

² For use with V2 only.

³ To be ordered with E1 (Emergency Integral) or DA40 (DMX Dimming).

J. CANOPY FINISH

CF01 White

CF02 Black Metallic - Textured

CF20 Silver Metallic - Textured

CF25 Gold Metallic - Textured

CF44 Midnight Blue Metallic - Textured

CF46 Charcoal Metallic - Textured

CF47 Bronze Metallic - Textured

CF53 Red Metallic - Textured

K. SNOOTS AND LOUVER

NT1 Standard Snoot - Black ¹

NT2 Standard Snoot - White ¹

NT3 Long Snoot - Black ^{1 2}

NT4 Long Snoot - White ^{1 2}

NT5 Half Snoot - Black ^{1 2}

NT6 Half Snoot - White ^{1 2}

NT9 Hex Louver - Black ^{2 3}

For precise beam angle and lumen output, please refer to the IES files. Note that using snoots and louvers may decrease overall efficacy.

For COB/Reflector, the bezel finish matches the snoot finish.

¹ A snoot must be picked at time of order, if you are not ordering a louver.

² Not available with COB / Reflector.

³ Not available with BA70 beam angle. Available with Direct only.

L. EMERGENCY

E0 Emergency system not required

E1 Emergency system - Integral ^{1 2}

¹ Not available with 347V. Two power cables will be supplied.

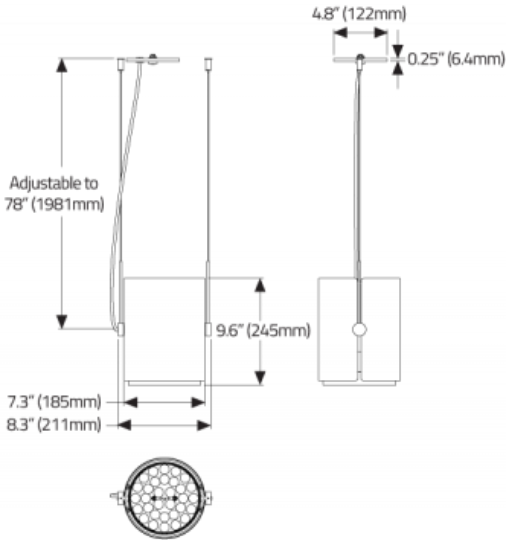
² CN4 canopy only used when ordering emergency or DMX.



MATREX RD SINGLE™ - SUSPENDED

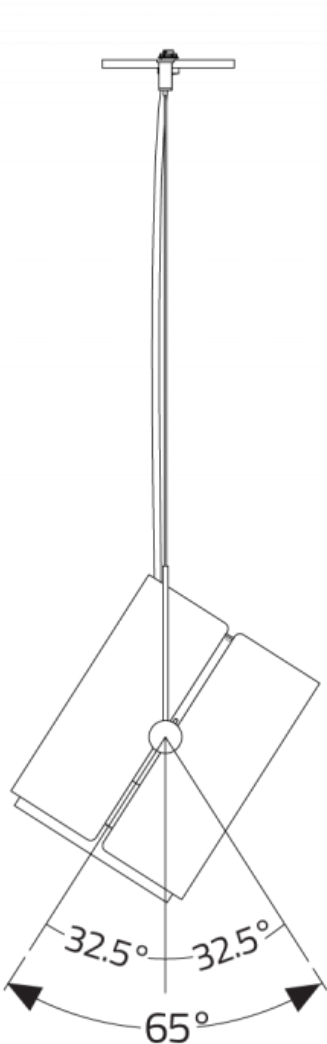
DIMENSIONAL DIAGRAMS

FIXTURE PROFILE

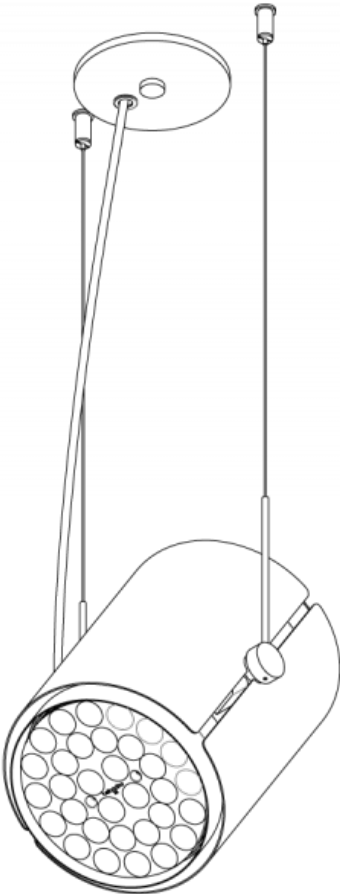
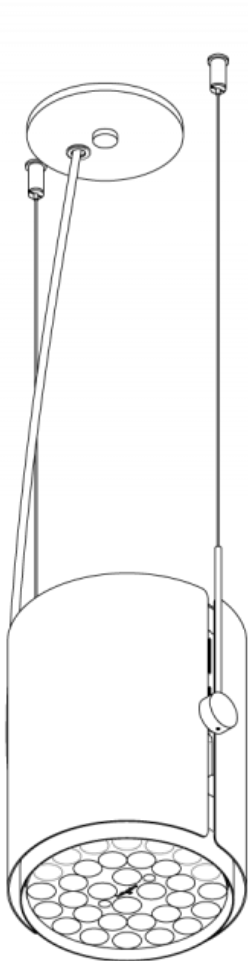


MATREX RD SINGLE™ - SUSPENDED

DIRECT



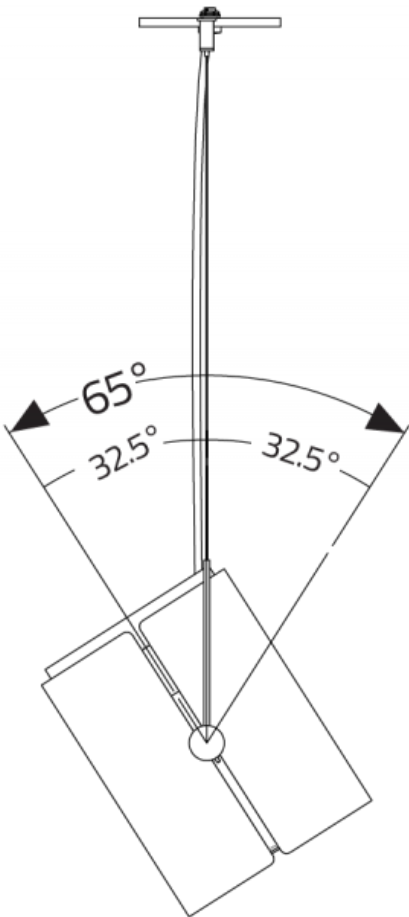
ISOMETRIC BOTTOM VIEW
(STRAIGHT)



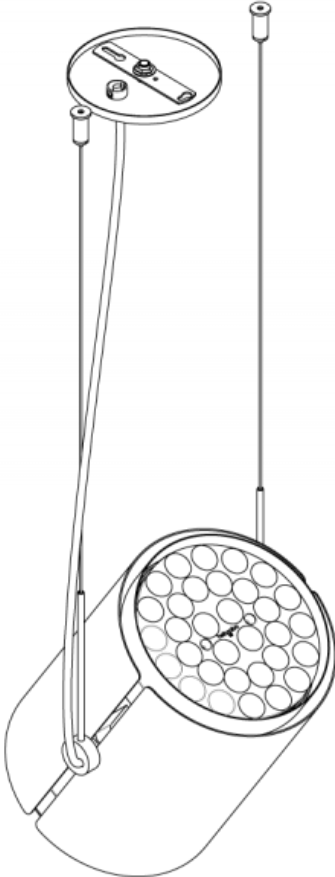
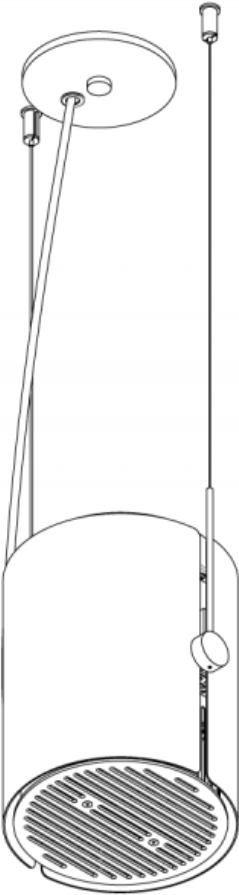
ISOMETRIC VIEW
(ANGLED)

MATREX RD SINGLE™ - SUSPENDED

INDIRECT



ISOMETRIC BOTTOM VIEW
(STRAIGHT)

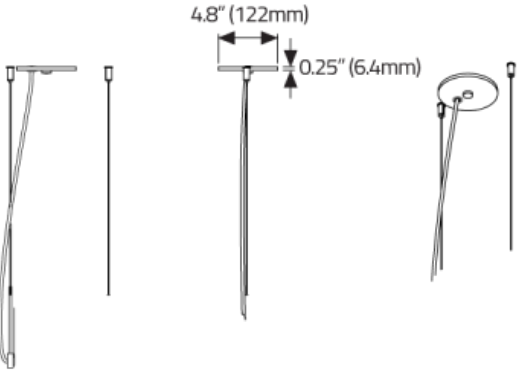


ISOMETRIC VIEW
(ANGLED)

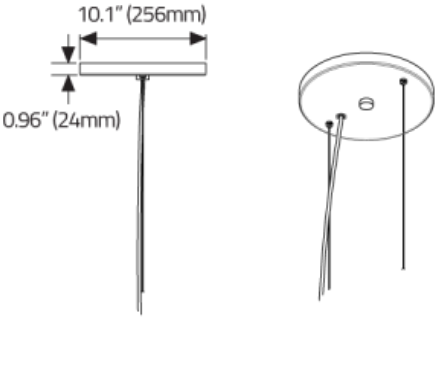
MATREX RD SINGLE™ - SUSPENDED

CANOPIES

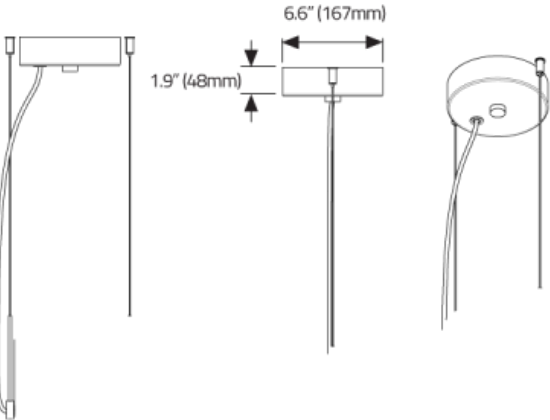
CANOPY A



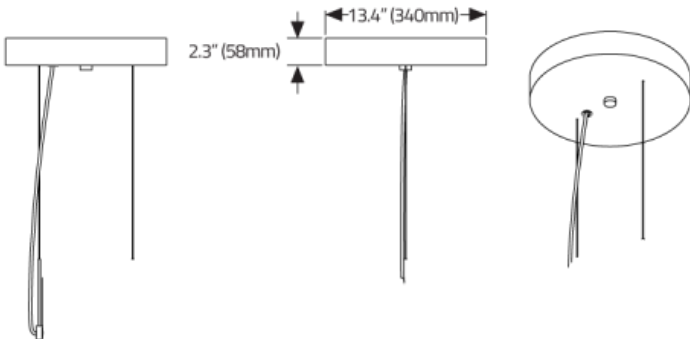
CANOPY B



CANOPY C

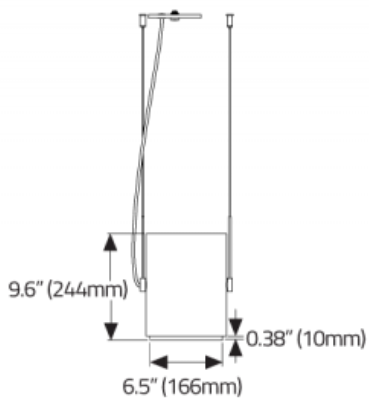


CANOPY D

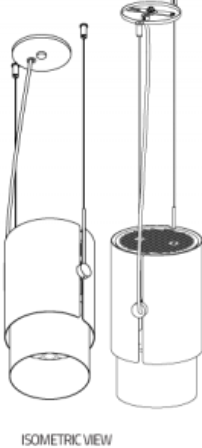
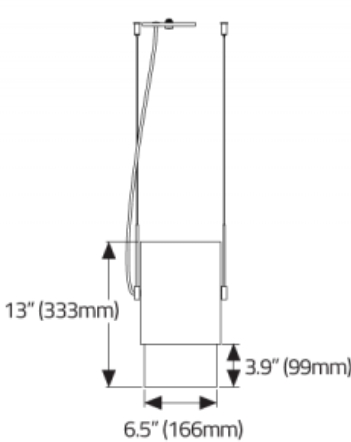


MATREX RD SINGLE™ - SUSPENDED

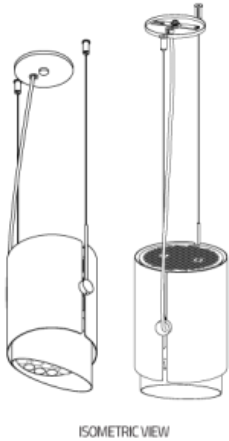
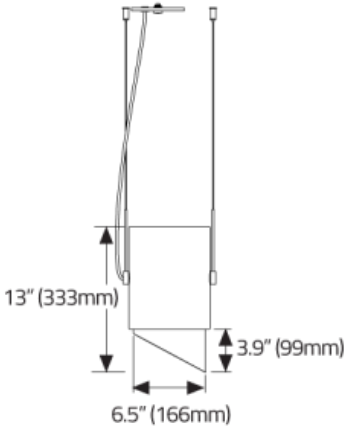
SNOOTS



STANDARD SNOOT



LONG SNOOT

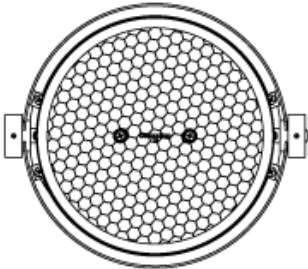
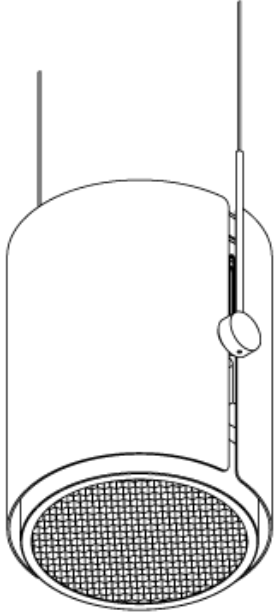
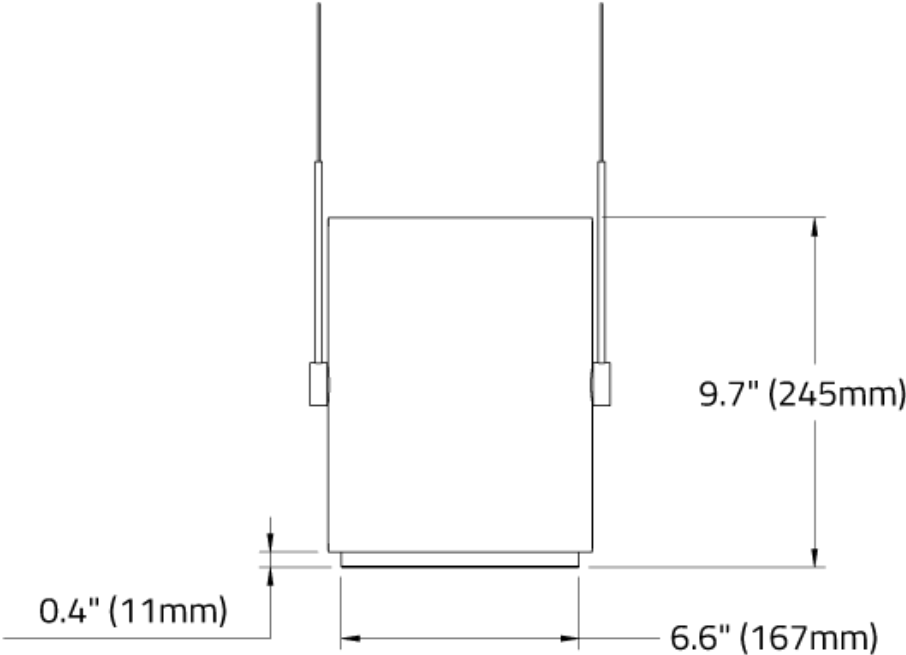


HALF SNOOT

MATREX RD SINGLE™ - SUSPENDED

LOUVRE

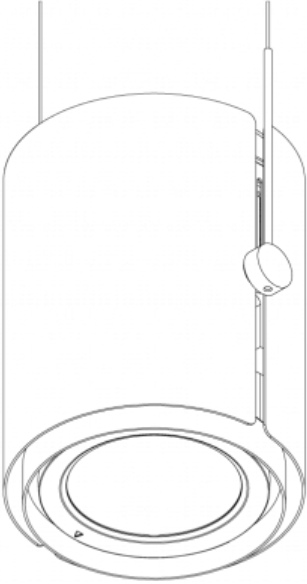
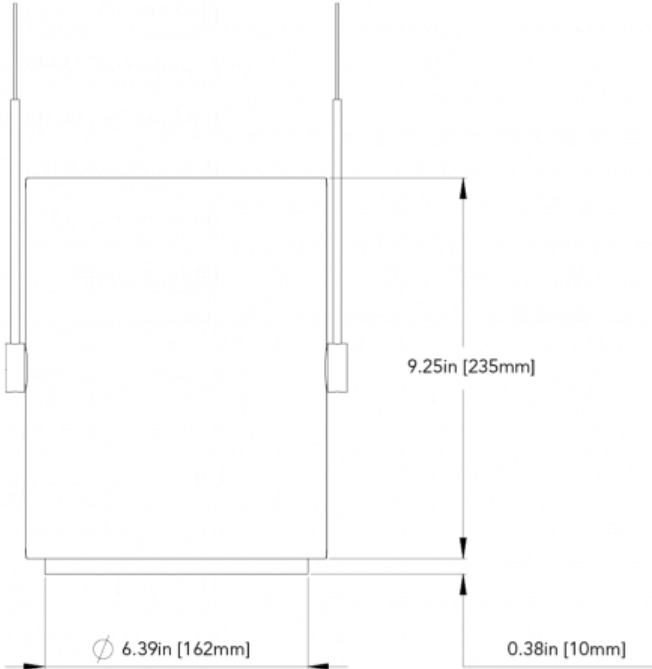
HEX CELL LOUVRE



MATREX RD SINGLE™ - SUSPENDED

Matrex Round PD - COB

Matrex RD PD - COB



Isometric View

