



MATREX RD SINGLE™

FULL SPECIFICATION SHEET



FIXTURE TYPE



FIXTURE CODE

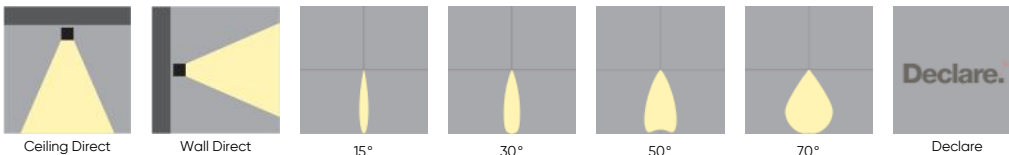


QUANTITIES

1 DESCRIPTION

MATREX is a family of spotlights packed with power for projecting light at great distances. With best-in-class thermal management and hidden heat sinks, **MATREX's** form factor is significantly smaller than traditional spotlights. Multiple mounting systems are available, providing a variety of functions that work in a range of applications, especially those with multiple ceiling heights. The revolutionary design delivers industry-leading performance from a significantly reduced form factor. The snoots are effective in controlling light spill and reducing glare.

2 OPTICS & FEATURES



3 APPROVALS



4 GENERAL SPECIFICATION

BODY AND TRIM

Steel and aluminum.

FINISH

Powder coated as specified. Custom paint finishes available to special order.

DRIVERS

HPF, electronic, 120-277V, 347V (EU-240V). The driver is integral to the fixture housing.

REMOTE EMERGENCY SYSTEM (NORTH AMERICA ONLY)

Emergency option provides a 1.5 hour emergency lighting facility. The remote system includes the inverter module, NiCad batteries and a remote wall/ceiling LED charge indicator and test switch (maximum distance between wall/ceiling plate and luminaire is 4.5m/15'). Test switch fits a single gang box (not supplied).

SENSORS

Consult factory regarding sensor compatibility.

APPROVALS

Damp Rated.

SUSTAINABILITY

Designed for on-site LED board, driver, and optic replacement. Contact the factory for maintenance documentation.

MECHANICAL

Luminaires mount to a junction box (by others - North America only).

REPORTED L70 @25°C (77°F)

> 60,000 hrs.

Estimated L70 @25°C (77°F)

> 171,000 hrs.

DELIVERED LUMENS

Delivered lumens & lpm based on 4000K, CRI 80+.

DESIGNED BY

Serge Cornelissen.

5 DESIGN OPTIONS

FINISH - FIXTURE



6 HOW TO ORDER

1. LUMINAIRE

MTRF1P01 Direct, LEDs / Multi-Array Optics, 10050 lms **MTRF1P02** Direct, COB / Reflector, 5025 lms

All data shown at max output and nominal values.

2. LUMENS

LMA0250 2500

LMA0500 5025

LMA0750 7500 ¹

LMA1000 10050 ¹

¹ Not available with COB / Reflector.

* Max lumen values shown, refer to IES files for the different snoot and beam options.

3. CRI

CR80 CRI 80+

CR90 CRI 90+ ¹

¹ Not available with COB / Reflector.

4. CCT

CTA27 2700K ¹

CTA30 3000K

CTA35 3500K

CTA40 4000K

¹ 2700K is only available with CRI 80+ and LEDs / Multi-Array Optics.

5. BEAM ANGLE

BA15 15° ¹

BA30 30° ¹

BA50 50°

BA70 70° ¹

¹ 15°, 30°, and 70° are not available with COB / Reflector.

6. VOLTAGE

V1 120/277V

V2 240V ¹

V3 347V ²

¹ Not available in North America. ² Only available with DA01 dimming.

7. DIMMING

DA01 0-10V Dimming 1.0%

DA02 0-10V Dimming 0.1% ¹

DA20 DALI Dimming 0.1% ¹

DA21 DALI Dimming 1.0% ¹

DA30 DSI/switchDim ^{1 2}

¹ Not available with V3. ² Not available in North America.

8. FINISH

FA01 White	FA02 Black Metallic – Textured	FA20 Silver Metallic – Textured	FA25 Gold Metallic – Textured
FA44 Midnight Blue Metallic – Textured	FA46 Charcoal Metallic – Textured	FA47 Bronze Metallic – Textured	FA53 Red Metallic – Textured

9. SNOOTS AND LOUVER

NT1 Standard Snoot – Black ¹	NT2 Standard Snoot – White ¹	NT3 Long Snoot – Black ^{1 2}	NT4 Long Snoot – White ^{1 2}
NT5 Half Snoot – Black ^{1 2}	NT6 Half Snoot – White ^{1 2}	NT9 Hex Louver – Black ^{2 3}	

For precise beam angle and lumen output, please refer to the IES files. Note that using snoots and louvers may decrease overall efficacy. For COB/Reflector, the bezel finish matches the snoot finish.

¹ Snoot must be picked at time of order, if not ordering a louver. ² Unavailable with COB / Reflector. ³ Unavailable with BA70 beam angle.

10. EMERGENCY

E0 Emergency system not required	E2 Emergency system – Remote ¹
---	--

¹ Not available with V3. Integral not available.

7 TECHNICAL DATA

LUMINAIRE

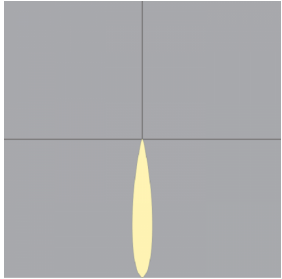
All data shown at max output and nominal values.

Code	MTRF1P01	MTRF1P02
Light Direction	Direct	Direct
Wattage	93W	44W
Delivered lms	10050	5025
LPW	124	111

8 PERFORMANCE DATA

DIRECT 15° BEAM ANGLE

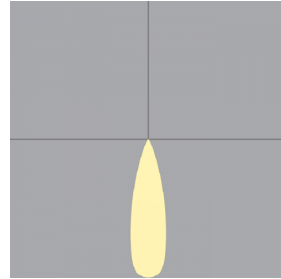
WATTS LUMENS LPW



19	2500	132
41	4900	121
65	7400	114
93	10000	106

DIRECT 30° BEAM ANGLE

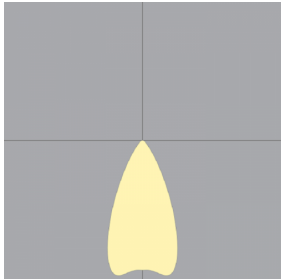
WATTS LUMENS LPW



19	2500	135
41	5025	124
65	7500	116
93	10050	108

DIRECT 50° BEAM ANGLE

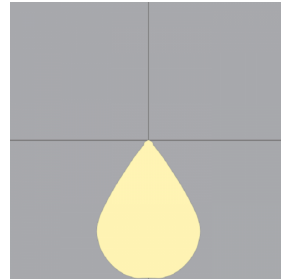
WATTS LUMENS LPW



19	2400	128
41	4800	117
65	7100	110
93	9500	102

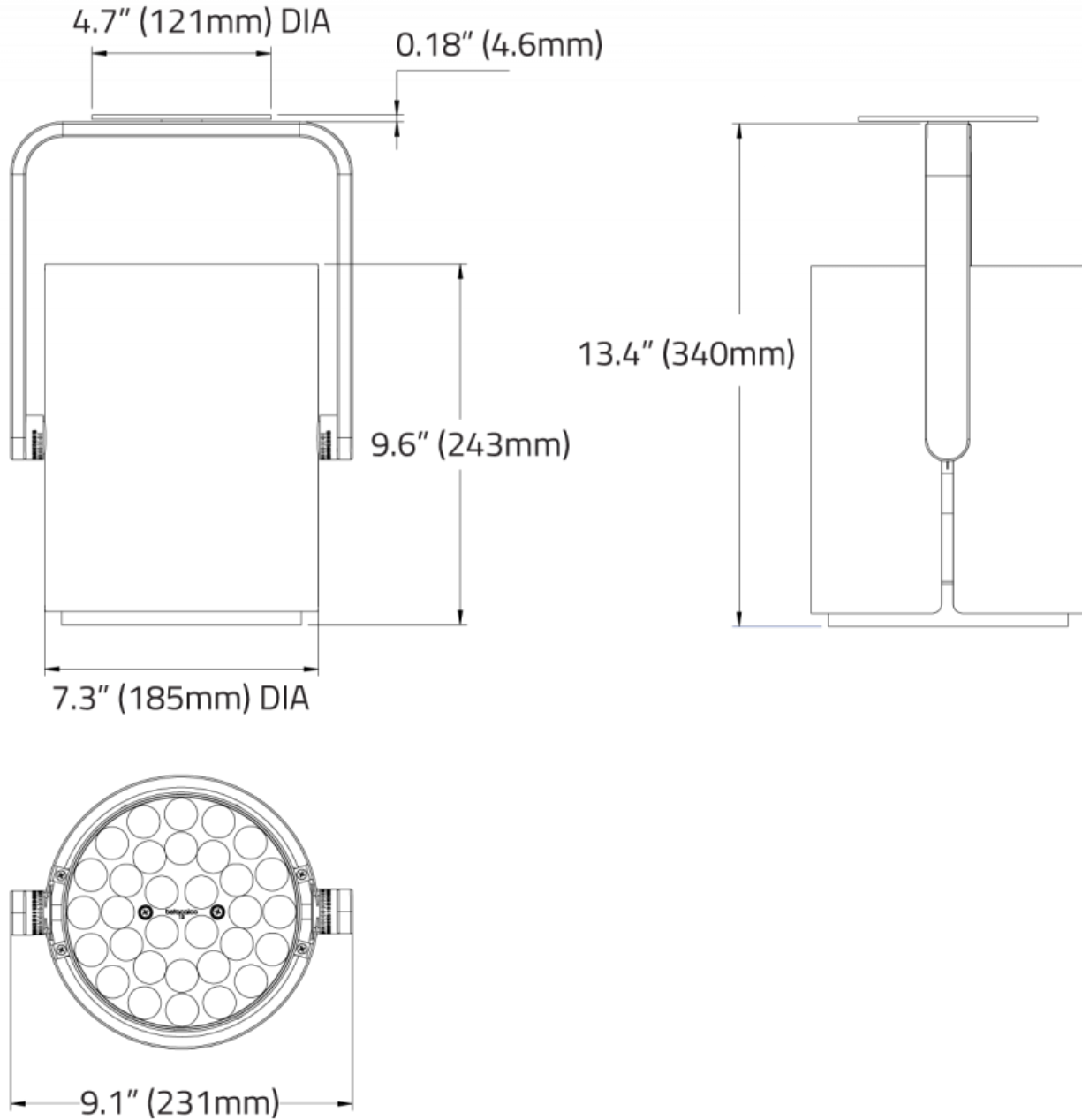
DIRECT 70° BEAM ANGLE

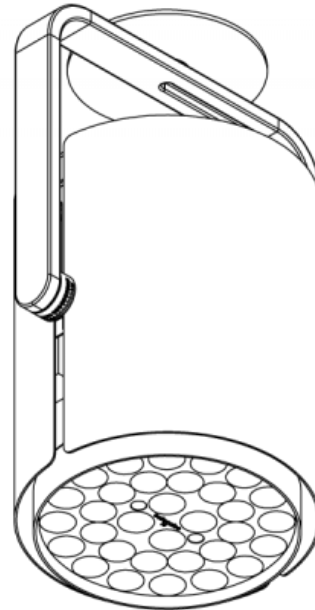
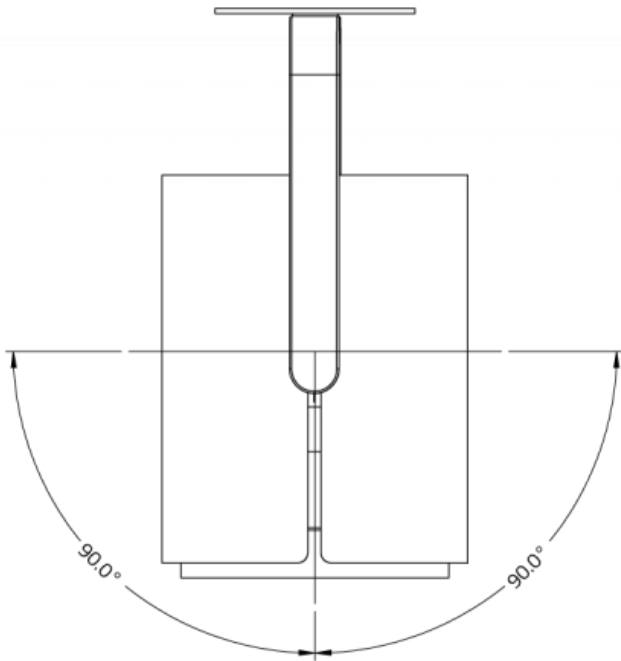
WATTS LUMENS LPW



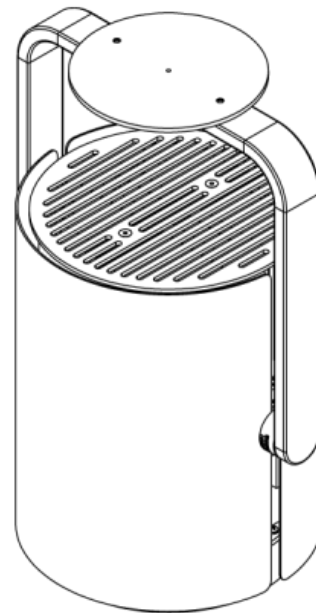
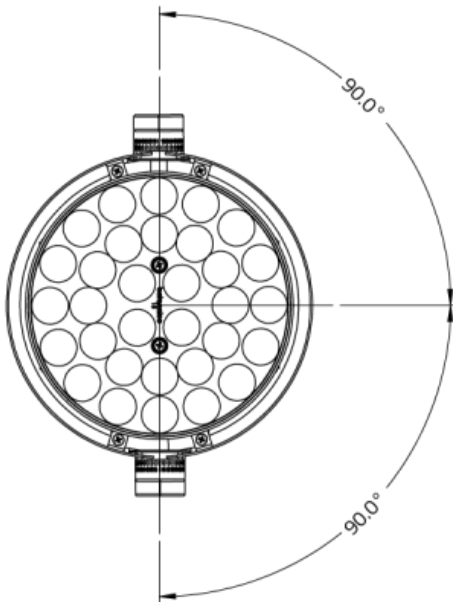
19	2400	129
41	4800	118
65	7200	111
93	9600	103

9 DIMENSIONAL DIAGRAMS





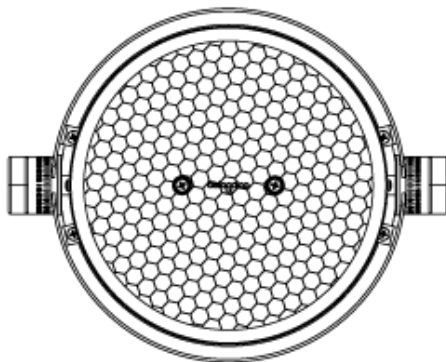
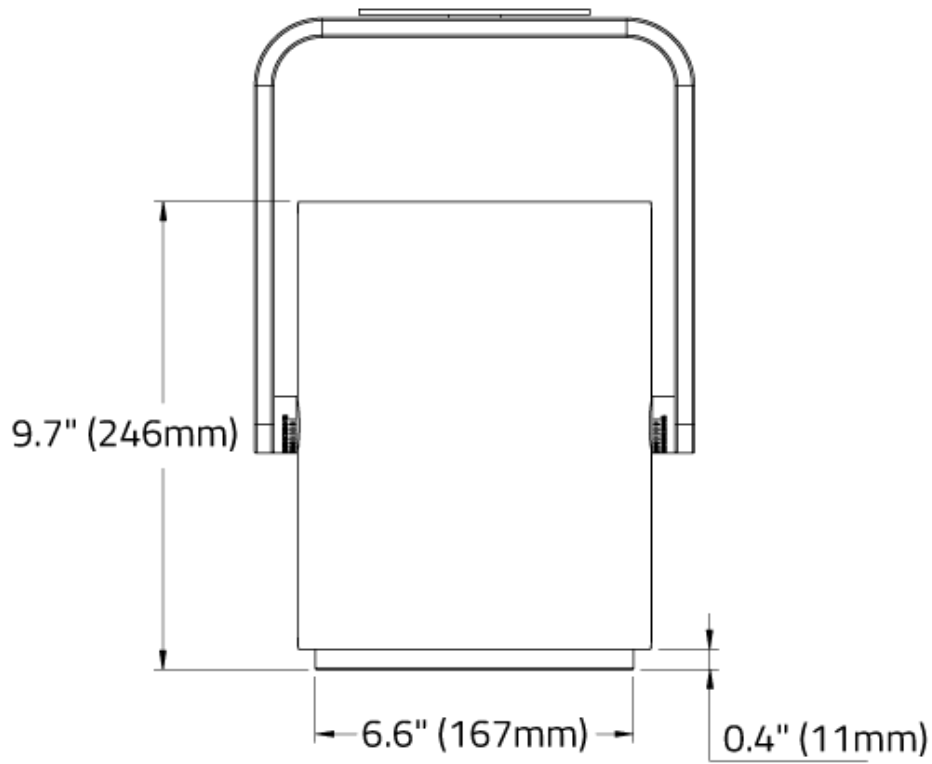
ISOMETRIC
BOTTOM VIEW



ISOMETRIC
TOP VIEW

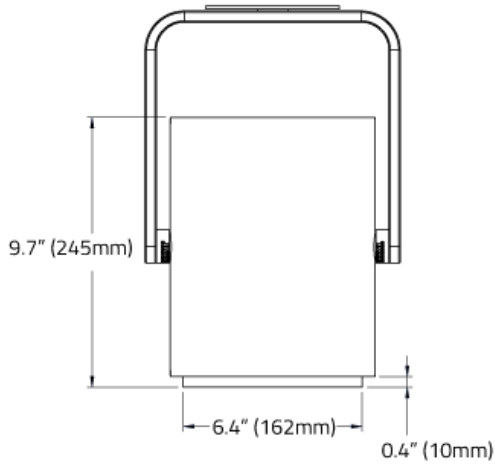
LOUVRE

HEX CELL LOUVRE

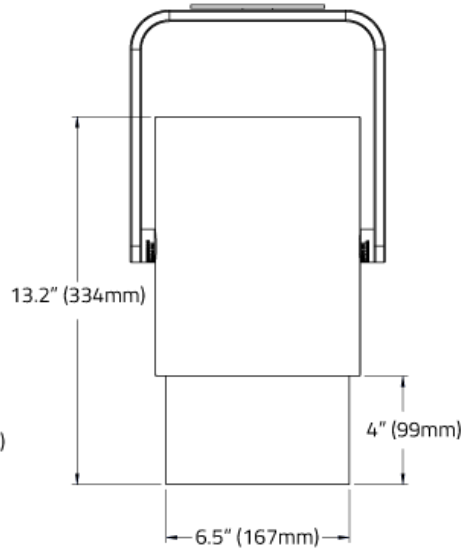


SNOOTS

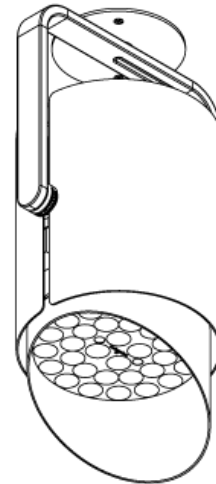
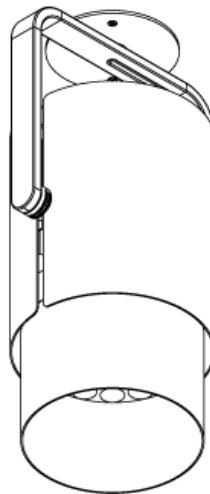
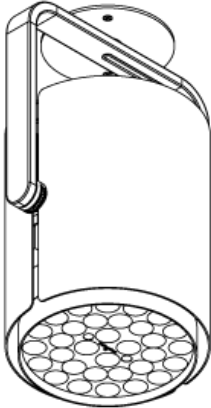
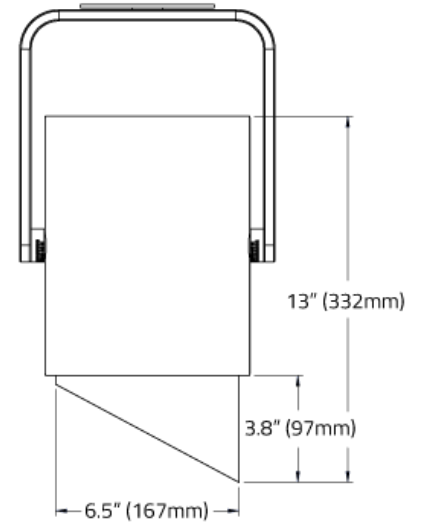
STANDARD SNOOT



LONG SNOOT

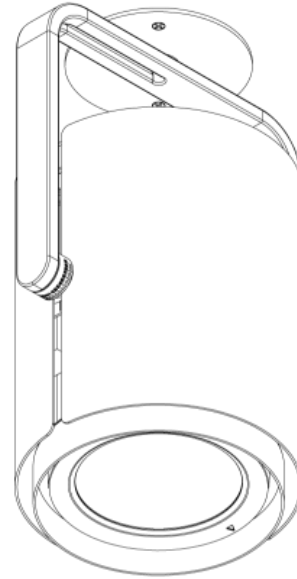
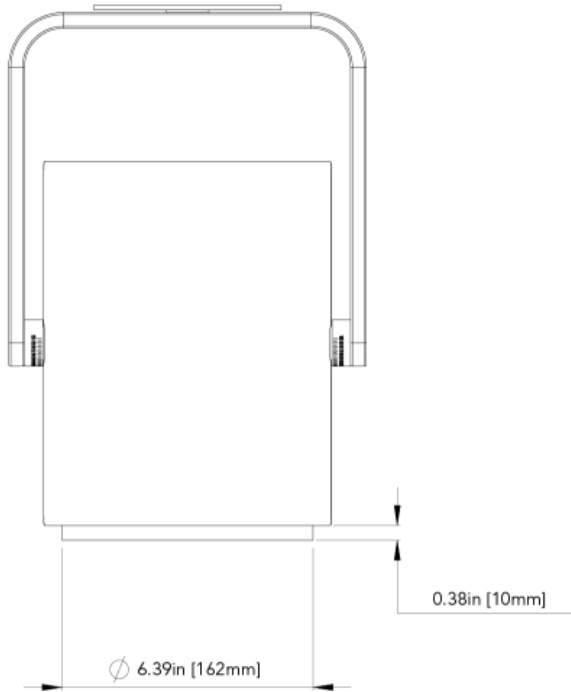


HALF SNOOT



Matrex Round Surface - COB

Matrex RD Single - COB



Isometric View

