

MATREX SINGLE™ - SURFACE

Project Name:

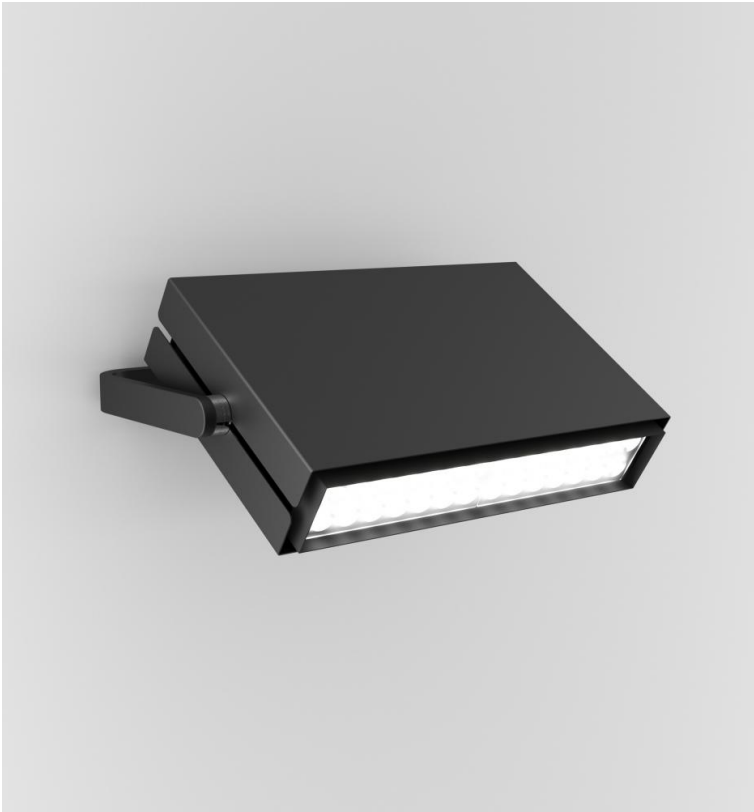
Fixture Type:

Fixture Code:

Quantities:



MATREX SINGLE™ - SURFACE



MATREX SINGLE™ - SURFACE

MATREX is a family of spotlights packed with power for projecting light at great distances. With best-in-class thermal management and hidden heat sinks, MATREX's form factor is significantly smaller than traditional spotlights. Multiple mounting systems are available, providing a variety of functions that work in a range of applications, especially those with multiple ceiling heights.

GENERAL SPECIFICATION

Body and trim

Steel and aluminum.

Drivers

HPF, electronic, 120-277V, 347V (EU-240V). The driver is integral to the fixture housing.

Remote emergency system (North America only)

Emergency option provides a 1.5 hour emergency lighting facility. The remote system includes the inverter module, NiCad batteries and a remote wall/ceiling LED charge indicator and test switch (maximum distance between wall/ceiling plate and luminaire is 4.5m/15'). Test switch fits a single gang box (not supplied).

Reported L70 @25°C (77°F)

> 60,000 hrs.

Sensors

Consult factory regarding sensor compatibility.

Designed by

Serge Cornelissen.

Finish

Powder coated as specified. Custom paint finishes available to special order.

Delivered lumens

Delivered lumens & lpm based on 4000K, CRI 80+.

Mechanical

Luminaires mount to a junction box or switch box (by others - North America only), depending on canopy selection.

Estimated L70 @25°C (77°F)

> 171,000 hrs.

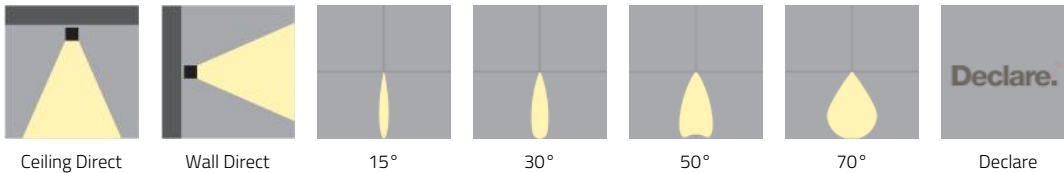
Approvals

Damp Rated.

Design

US Pat. No. D917,765.

MOUNTING & OPTICS



MATREX SINGLE™ - SURFACE

HOW TO ORDER

A. LUMINAIRE

MATF1P01 Direct, 9200 lms

All data shown at max output and nominal values.

B. LUMENS

LMA0230 2300

LMA0460 4600

LMA0690 6900

LMA0920 9200

C. CRI

CR80 CRI 80+

CR90 CRI 90+

D. CCT

CTA27 2700K¹

CTA30 3000K

CTA35 3500K

CTA40 4000K

¹ 2700K is only available with CRI 80+

E. BEAM ANGLE

BA15 15°

BA30 30°

BA50 50°

BA70 70°

BA80 50°x80°¹

¹ For use with NT8 Ladder Louver only.

F. VOLTAGE

V1 120/277V

V2 240V¹

V3 347V²

¹ Not available in North America.

² Only available with DA01 dimming.

G. DIMMING

DA01 0-10V Dimming 1.0%

DA02 0-10V Dimming 0.1%¹

DA20 DALI Dimming 0.1%¹

DA21 DALI Dimming 1.0%¹

DA30 DSI/switchDim^{1 2}

¹ Not available with V3.

² Not available in North America.

H. FIXTURE FINISH

FA01 White

FA02 Black Metallic - Textured

FA20 Silver Metallic - Textured

FA25 Gold Metallic - Textured

FA44 Midnight Blue Metallic - Textured

FA46 Charcoal Metallic - Textured

FA47 Bronze Metallic - Textured

FA53 Red Metallic - Textured

I. SNOOTS AND LOUVERS

NT1 Standard Snoot - Black¹

NT2 Standard Snoot - White¹

NT3 Long Snoot - Black¹

NT4 Long Snoot - White¹

NT7 Hex Louver - Black²

NT8 Ladder Louver - Black³

Consult IES files for exact beam angle and delivered lumens.

¹ A snoot must be picked at time of order, if you are not ordering a louver.

² Not available with BA70 beam angle.

³ Available with BA80 beam angle and 2300 lumens.



MATREX SINGLE™ - SURFACE

J. EMERGENCY

E0 Emergency system not required

E2 Emergency system - Remote ¹

¹ Not available with V3. Integral not available.



MATREX SINGLE™ - SURFACE

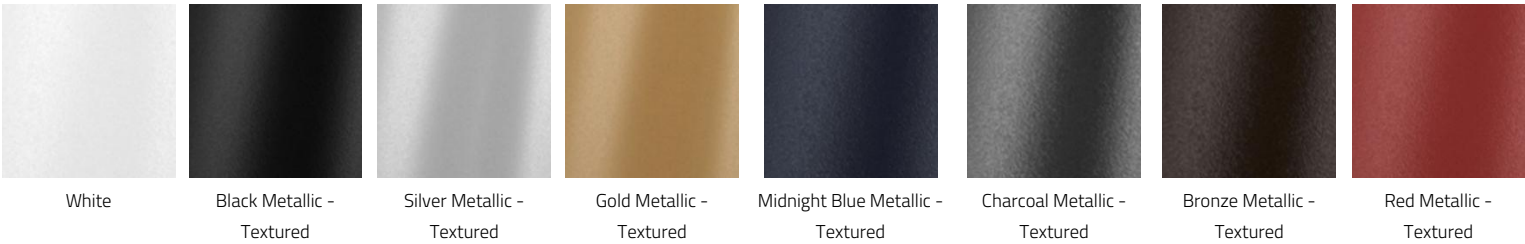
TECHNICAL DATA

LUMINAIRE

All data shown at max output and nominal values.

Code	MATF1P01
Light Direction	Direct
Wattage	82
Delivered lms	9200
LPW	130

FINISH - FIXTURE



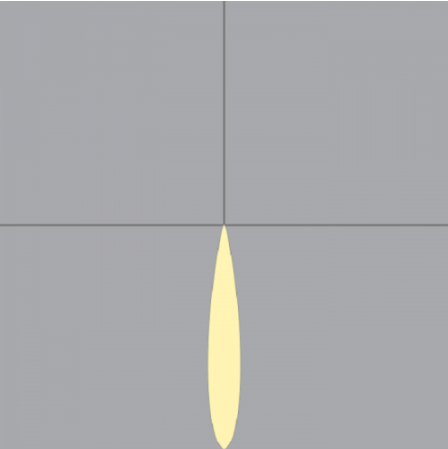
APPROVALS



MATREX SINGLE™ - SURFACE

PERFORMANCE DATA

DIRECT 15° BEAM ANGLE

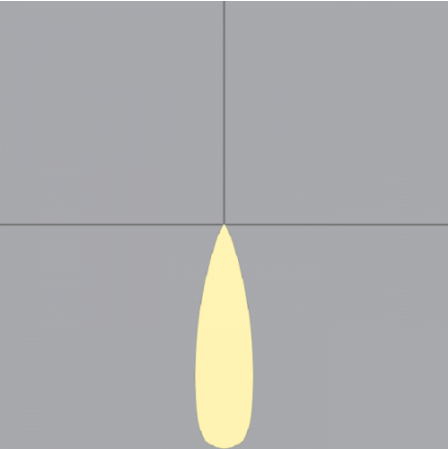


WATTS
16
36
57
82

LUMENS
2300
4500
6800
9000

LPW
138
127
118
110

DIRECT 30° BEAM ANGLE

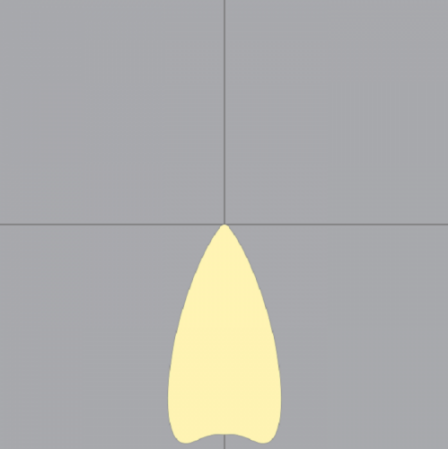


WATTS
16
36
57
82

LUMENS
2300
4600
6900
9200

LPW
140
130
120
112

DIRECT 50° BEAM ANGLE



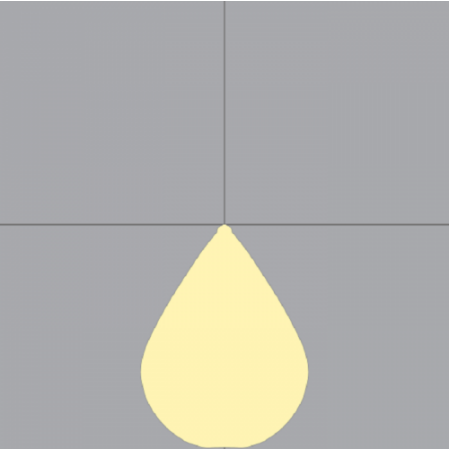
WATTS
16
36
57
82

LUMENS
2200
4400
6500
8700

LPW
133
123
114
107

MATREX SINGLE™ - SURFACE

DIRECT 70° BEAM ANGLE



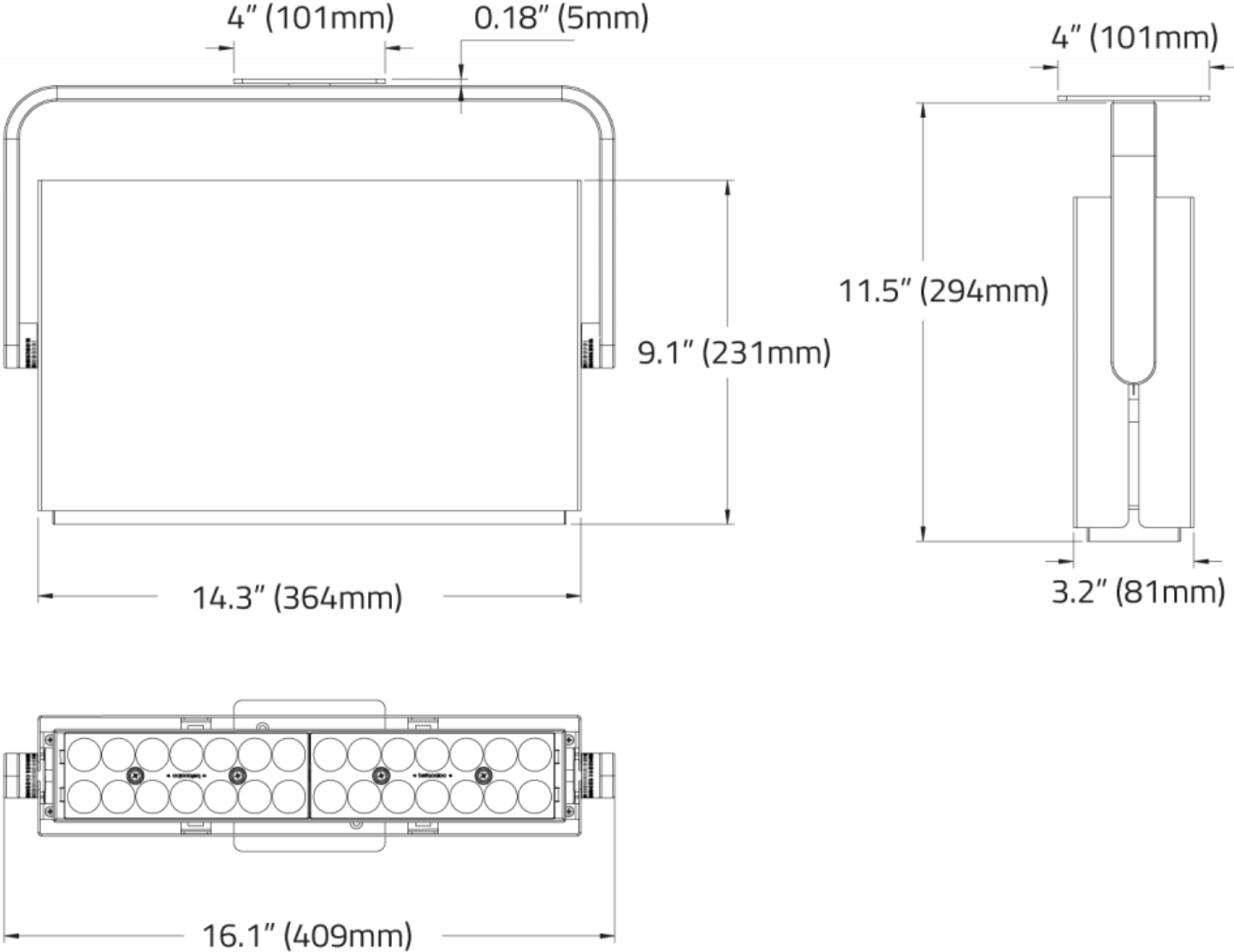
WATTS
16
36
57
82

LUMENS
2200
4400
6600
8800

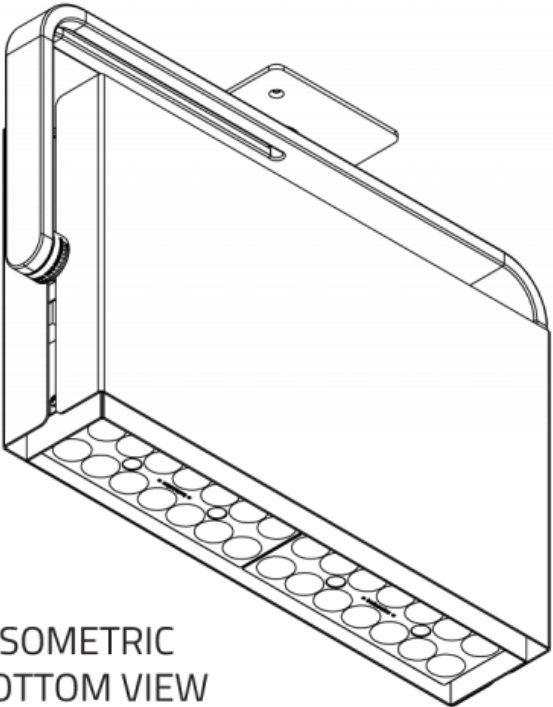
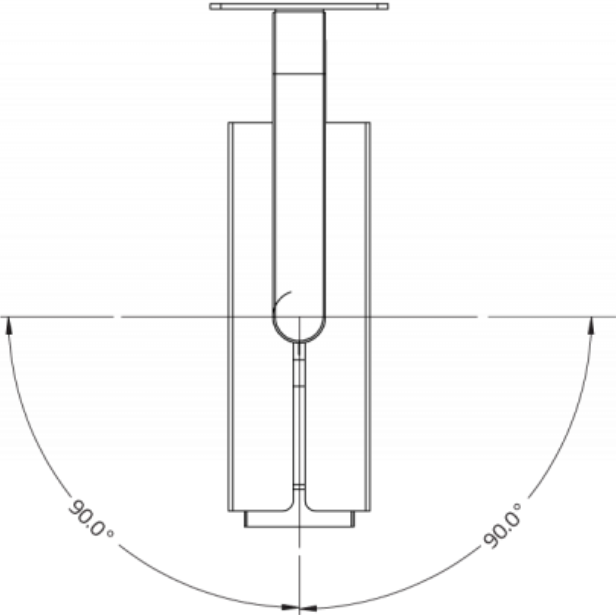
LPW
134
123
115
107

MATREX SINGLE™ - SURFACE

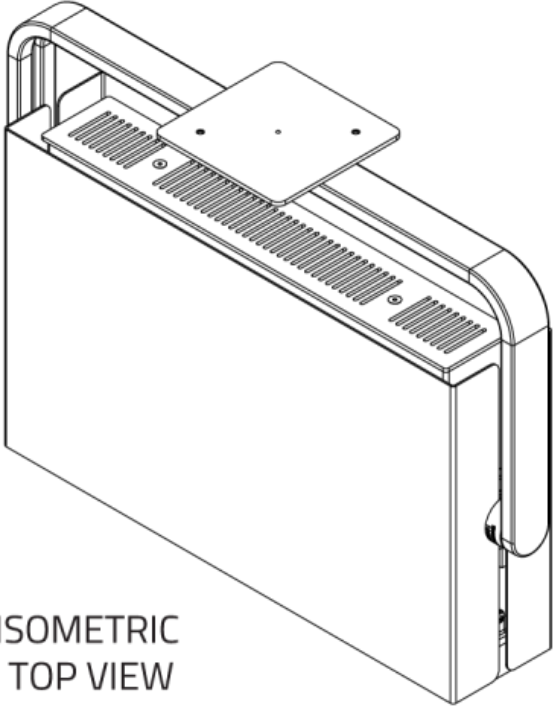
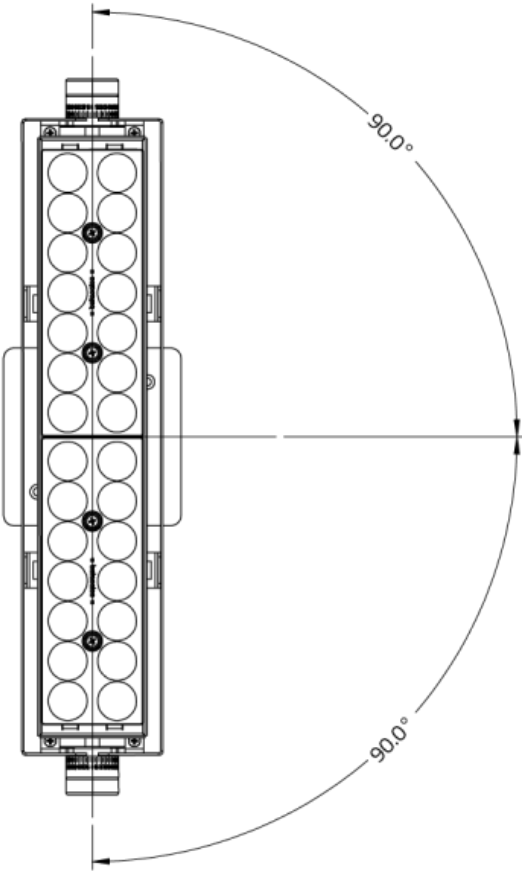
DIMENSIONAL DIAGRAMS



MATREX SINGLE™ - SURFACE



ISOMETRIC
BOTTOM VIEW

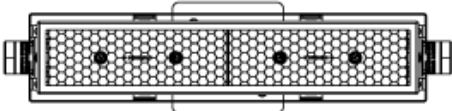
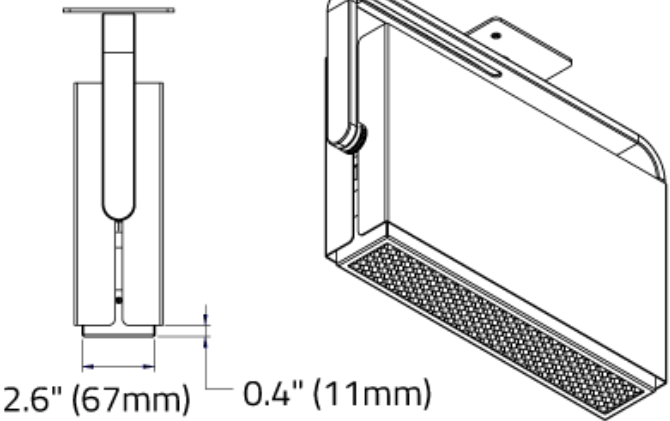
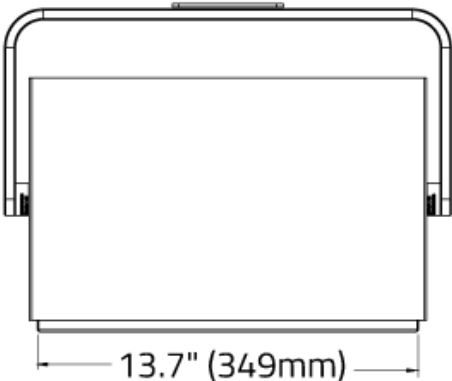


ISOMETRIC
TOP VIEW

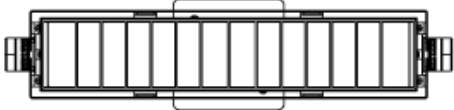
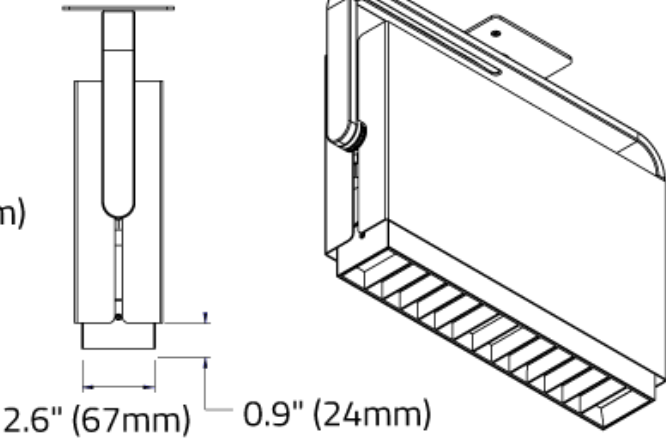
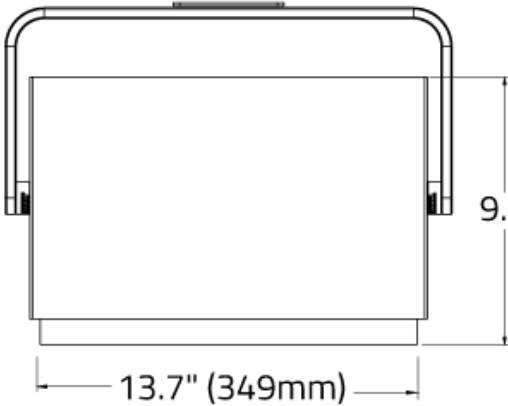
MATREX SINGLE™ - SURFACE

LOUVRES

HEX CELL LOUVRE



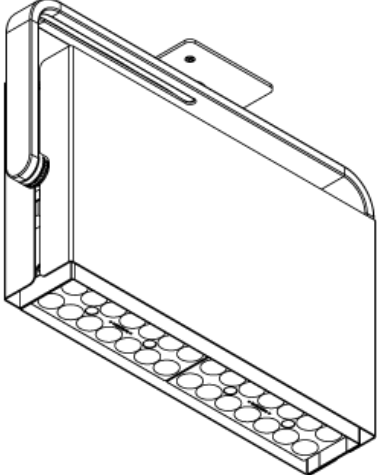
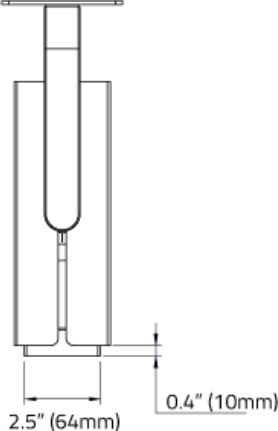
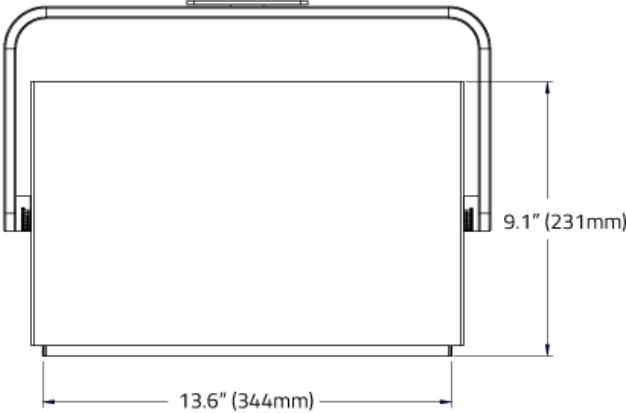
LADDER LOUVRE



MATREX SINGLE™ - SURFACE

SNOOTS

STANDARD SNOOT



LONG SNOOT

