

# MATREX SINGLE™ - SUSPENDED

Project Name:

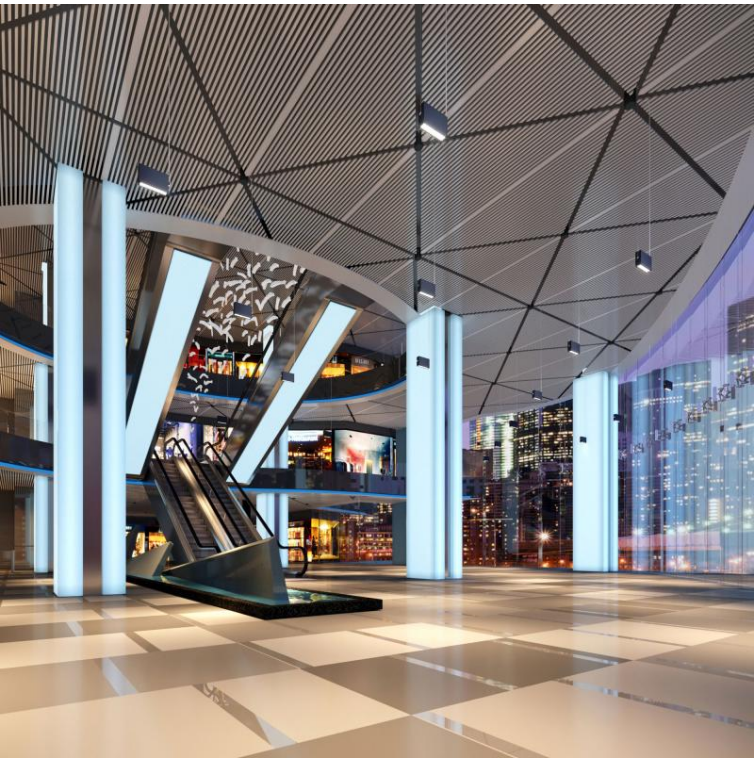
Fixture Type:

Fixture Code:

Quantities:



MATREX SINGLE™ - SUSPENDED



# MATREX SINGLE™ - SUSPENDED

**MATREX** is a family of spotlights packed with power for projecting light at great distances. With best-in-class thermal management and hidden heat sinks, MATREX's form factor is significantly smaller than traditional spotlights. Multiple mounting systems are available, providing a variety of functions that work in a range of applications, especially those with multiple ceiling heights.

## GENERAL SPECIFICATION

### Body and trim

Steel and aluminum.

### Suspension

Steel cables.

### Integral emergency system

Emergency option provides a 1.5 hour (3 hours for EU) emergency lighting facility. The self contained system includes the inverter module, NiCad batteries, LED charge indicator and test switch (NA only). Integral emergency EU luminaires have a 17" (434mm) x 8.3" (210mm) x 2.3" (58mm) canopy with LED charge indicator. Not available with a 347V supply. Drivers are in the canopy.

### Mechanical

Luminaires mount to a junction box or switch box (by others - North America only), depending on canopy selection.

### Delivered lumens

Delivered lumens & lpw based on 4000K, CRI 80+.

### Reported L70 @25°C (77°F)

> 60,000 hrs.

### Designed by

Serge Cornelissen.

### Finish

Powder coated as specified. Custom paint finishes available to special order.

### Power cable

Silver braided.

### Drivers

HPF, electronic, 120-277V, 347V (EU-240V). The driver is integral to the fixture housing, except when ordering emergency and then the driver is integral in the canopy.

### Sensors

Consult factory regarding sensor compatibility.

### Approvals

Damp Rated.

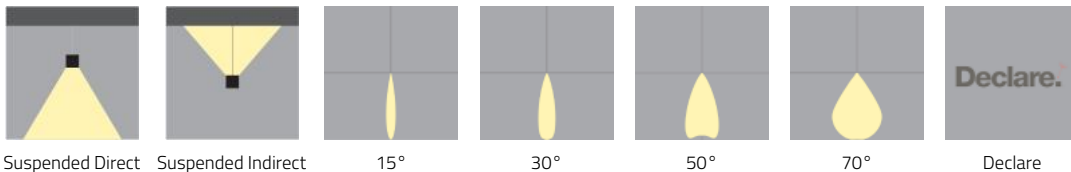
### Estimated L70 @25°C (77°F)

> 171,000 hrs.

### Design

US Pat. No. D917,765.

## MOUNTING & OPTICS



# MATREX SINGLE™ - SUSPENDED

## HOW TO ORDER

### A. LUMINAIRE

**MATP1P01** Direct, 9200 lms

**MATP2P01** Indirect, 9200 lms

All data shown at max output and nominal values.

### B. LUMENS

**LMA0230** 2300

**LMA0460** 4600

**LMA0690** 6900

**LMA0920** 9200

\* Max lumen values shown, refer to IES files for the different snoot and beam options.

### C. CRI

**CR80** CRI 80+

**CR90** CRI 90+

### D. CCT

**CTA30** 3000K

**CTA35** 3500K

**CTA40** 4000K

**CTA27** 2700K <sup>1</sup>

<sup>1</sup> 2700K is only available with CRI 80+

### E. BEAM ANGLE

**BA15** 15°

**BA30** 30°

**BA50** 50°

**BA70** 70°

**BA80** 50°x80° <sup>1</sup>

<sup>1</sup> For use with NT8 Ladder Louver only.

### F. VOLTAGE

**V1** 120/277V

**V2** 240V <sup>1</sup>

**V3** 347V <sup>2</sup>

<sup>1</sup> Not available in North America.

<sup>2</sup> Only available with DA01 dimming.

### G. DIMMING

**DA01** 0-10V Dimming 1.0%

**DA02** 0-10V Dimming 0.1% <sup>1</sup>

**DA20** DALI Dimming 0.1% <sup>1</sup>

**DA21** DALI Dimming 1.0% <sup>1</sup>

**DA30** DSI/switchDim <sup>1 2</sup>

**DA40** DMX Dimming <sup>1 3</sup>

<sup>1</sup> Not available with 347V.

<sup>2</sup> Not available in North America.

<sup>3</sup> Must be used with CN4 canopy only.

### H. FIXTURE FINISH

**FA01** White

**FA02** Black Metallic - Textured

**FA20** Silver Metallic - Textured

**FA25** Gold Metallic - Textured

**FA44** Midnight Blue Metallic - Textured

**FA46** Charcoal Metallic - Textured

**FA47** Bronze Metallic - Textured

**FA53** Red Metallic - Textured

### I. CANOPY

**CN1** Canopy A <sup>1</sup>

**CN2** Canopy B <sup>2</sup>

**CN3** Canopy C <sup>1 3</sup>

**CN4** Canopy D <sup>1 \*</sup>

<sup>1</sup> Fits over a standard j-box (provided by others)

<sup>2</sup> Fits over a switch box (provided by others, 4"x2.125")

<sup>3</sup> For use with V2 (240V) only.

\* To be ordered with E1 (Emergency Integral) or DA40 (DMX Dimming)



# MATREX SINGLE™ - SUSPENDED

## J. CANOPY FINISH

**CF01** White

**CF02** Black Metallic - Textured

**CF20** Silver Metallic - Textured

**CF25** Gold Metallic - Textured

**CF44** Midnight Blue Metallic - Textured

**CF46** Charcoal Metallic - Textured

**CF47** Bronze Metallic - Textured

**CF53** Red Metallic - Textured

## K. SNOOTS AND LOUVERS

**NT1** Standard Snoot - Black <sup>1</sup>

**NT2** Standard Snoot - White <sup>1</sup>

**NT3** Long Snoot - Black <sup>1</sup>

**NT4** Long Snoot - White <sup>1</sup>

**NT7** Hex Louver - Black <sup>2</sup>

**NT8** Ladder Louver - Black <sup>3</sup>

---

For precise beam angle and lumen output, please refer to the IES files. Note that using snoots and louvers may decrease overall efficacy.

<sup>1</sup> A snoot must be picked at time of order, if you are not ordering a louver.

<sup>2</sup> Not available with BA70 beam angle or indirect.

<sup>3</sup> Available with BA80 beam angle and 2300 lumens only and Direct only.

## L. EMERGENCY

**E0** Emergency system not required

**E1** Emergency system - Integral <sup>1 2</sup>

---

<sup>1</sup> Drivers are in the canopy. Not available with 347V. Two power cables will be supplied.

<sup>2</sup> CN4 canopy only used when ordering emergency or DMX.



# MATREX SINGLE™ - SUSPENDED

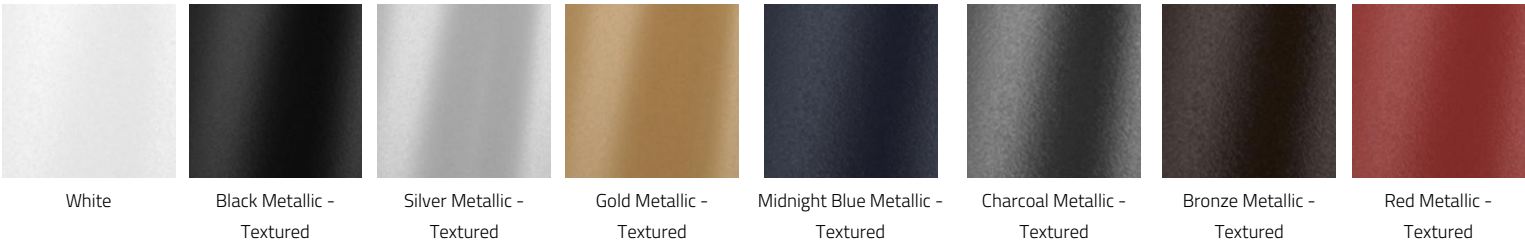
## TECHNICAL DATA

### LUMINAIRE

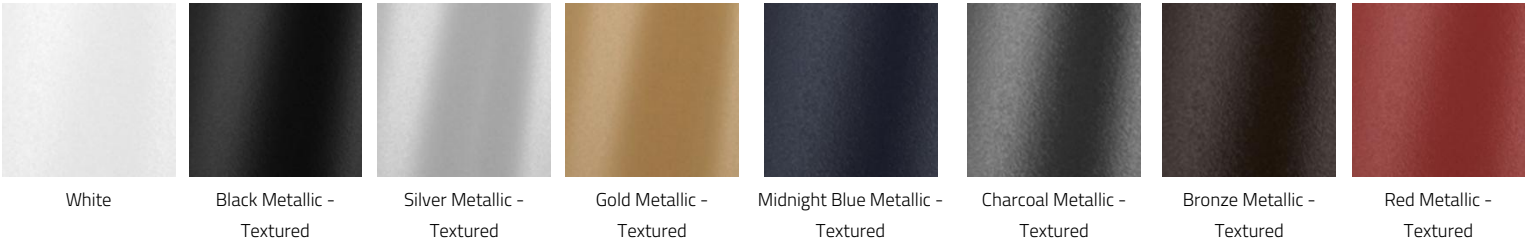
All data shown at max output and nominal values.

Code	MATP1P01	MATP2P01
Light Direction	Direct	Indirect
Wattage	82W	82W
Delivered lms	9200	9200
LPW	130	130

### FINISH - FIXTURE



### FINISH - CANOPY



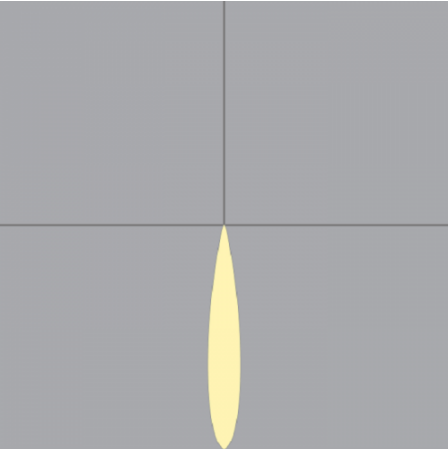
### APPROVALS



# MATREX SINGLE™ - SUSPENDED

## PERFORMANCE DATA

### DIRECT 15° BEAM ANGLE

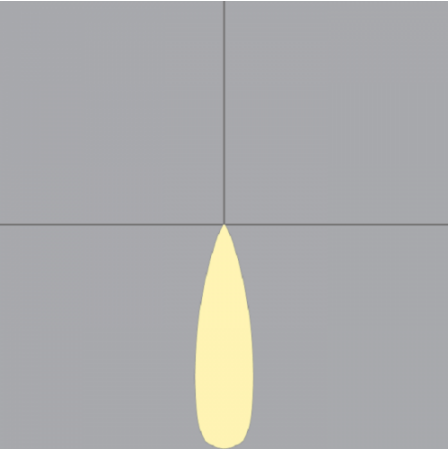


WATTS
16
36
57
82

LUMENS
2300
4500
6800
9000

LPW
138
127
118
110

### DIRECT 30° BEAM ANGLE

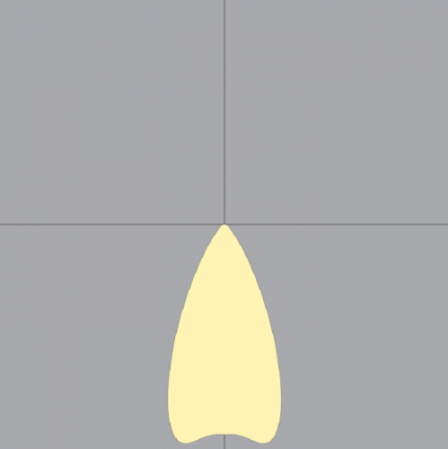


WATTS
16
36
57
82

LUMENS
2200
4600
6900
9200

LPW
140
127
118
110

### DIRECT 50° BEAM ANGLE



WATTS
16
36
57
82

LUMENS
2200
4400
6500
8700

LPW
133
123
114
107

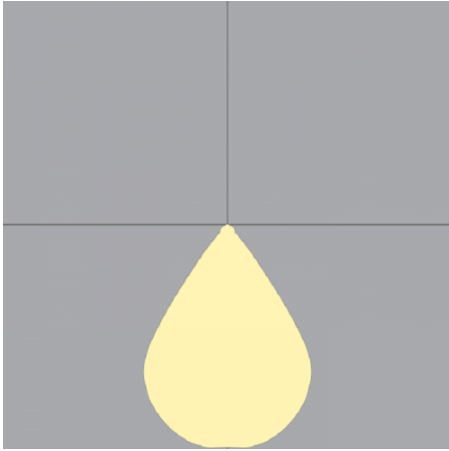
# MATREX SINGLE™ - SUSPENDED

## DIRECT 70° BEAM ANGLE

### WATTS

### LUMENS

### LPW



16  
36  
57  
82

2200  
4400  
6600  
8800

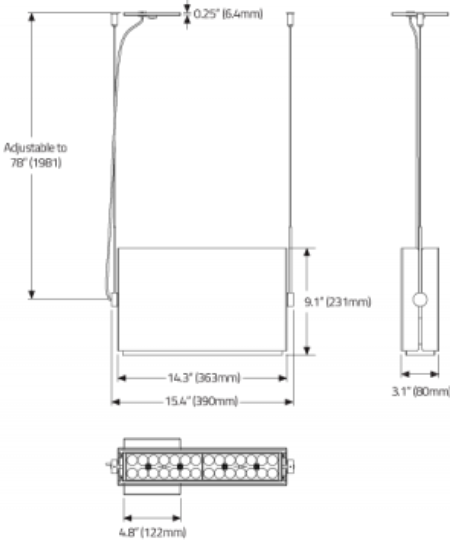
134  
123  
115  
107



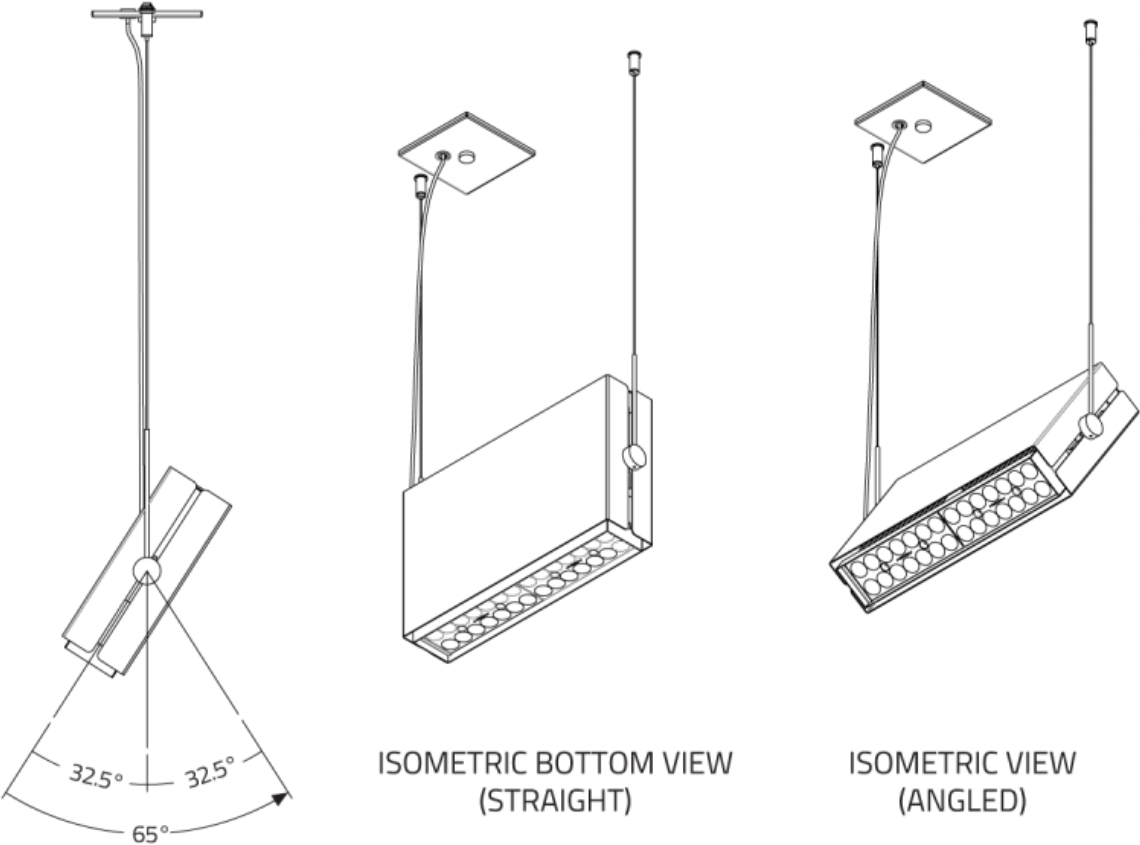
# MATREX SINGLE™ - SUSPENDED

## DIMENSIONAL DIAGRAMS

### PROFILE

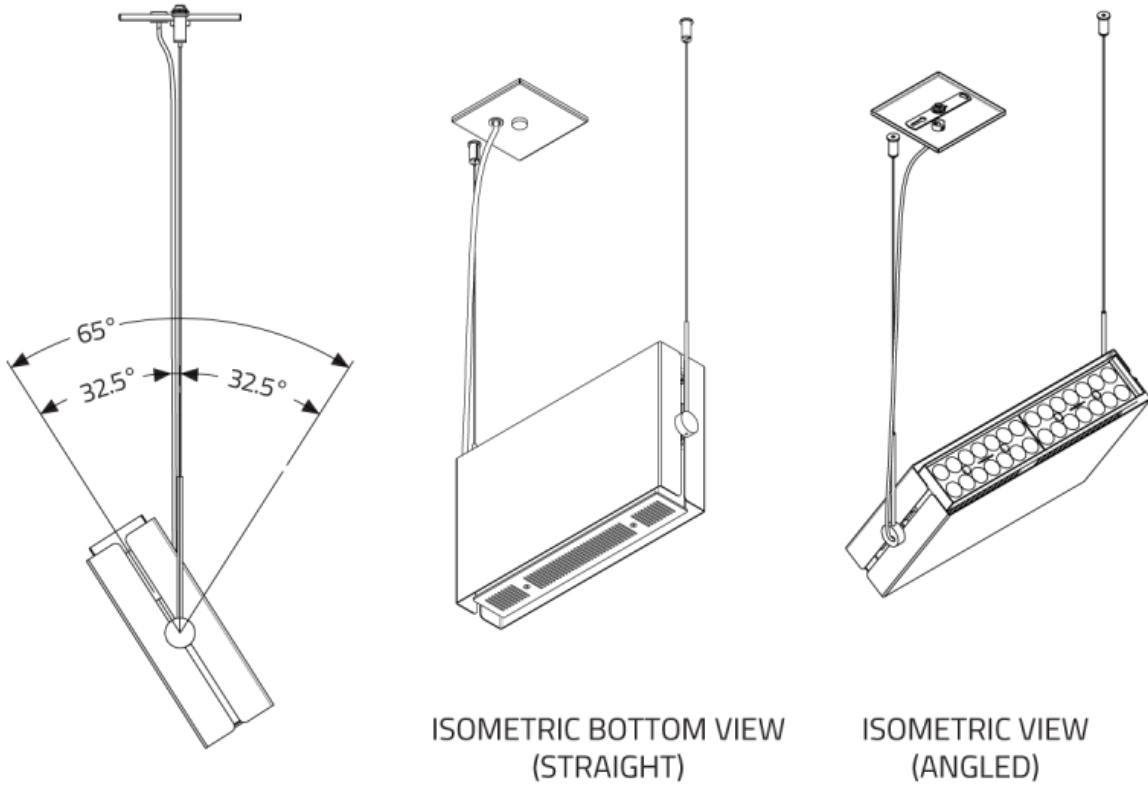


### DIRECT

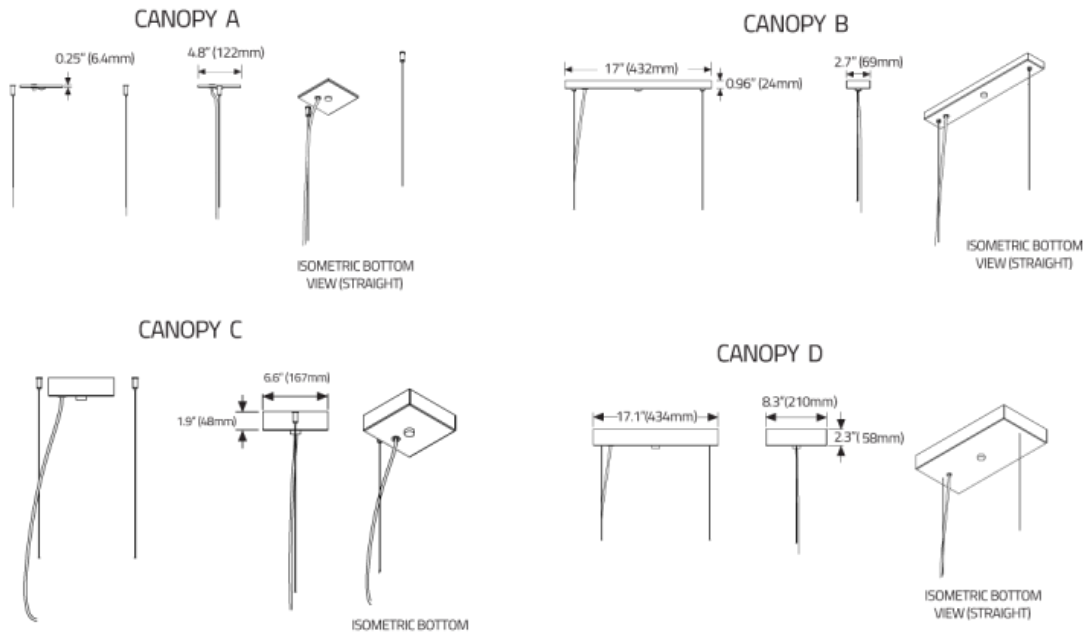


# MATREX SINGLE™ - SUSPENDED

INDIRECT

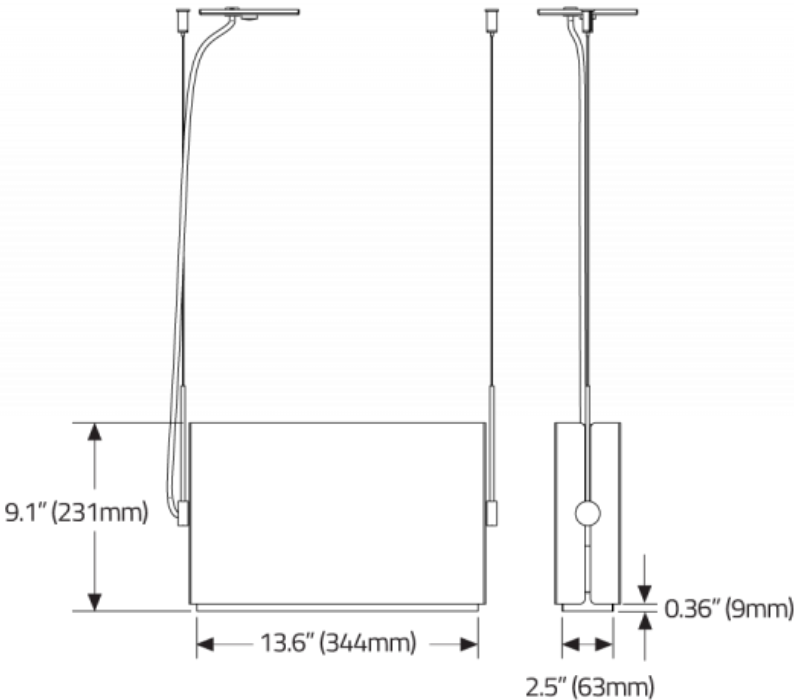


CANOPIES

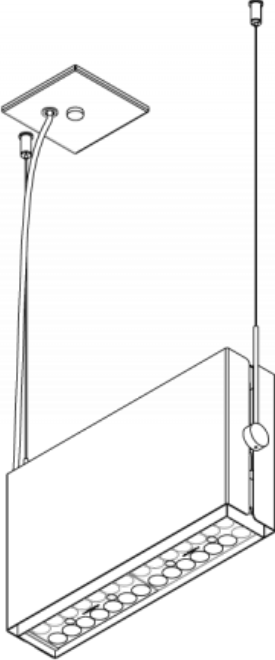


# MATREX SINGLE™ - SUSPENDED

STANDARD SNOOT



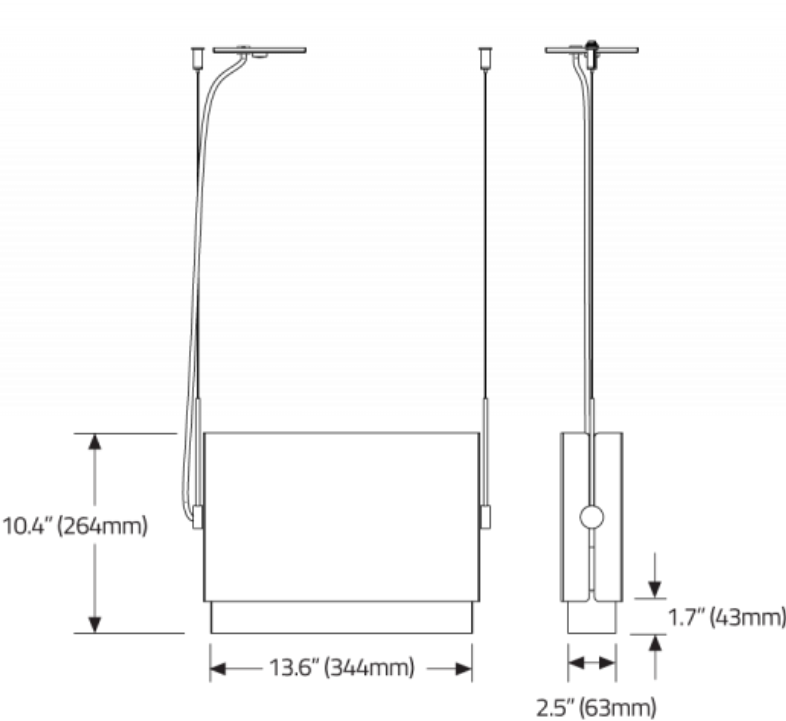
STANDARD SNOOT



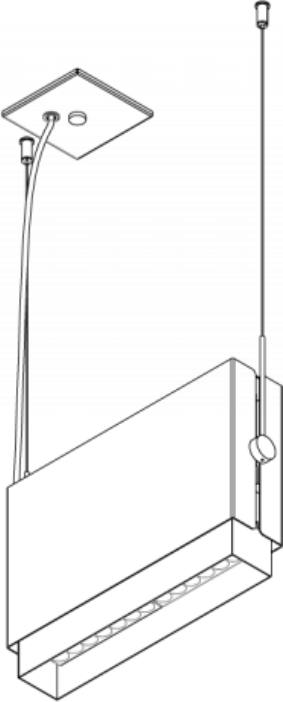
ISOMETRIC BOTTOM VIEW  
(STANDARD SNOOT)

# MATREX SINGLE™ - SUSPENDED

LONG SNOOT



LONG SNOOT

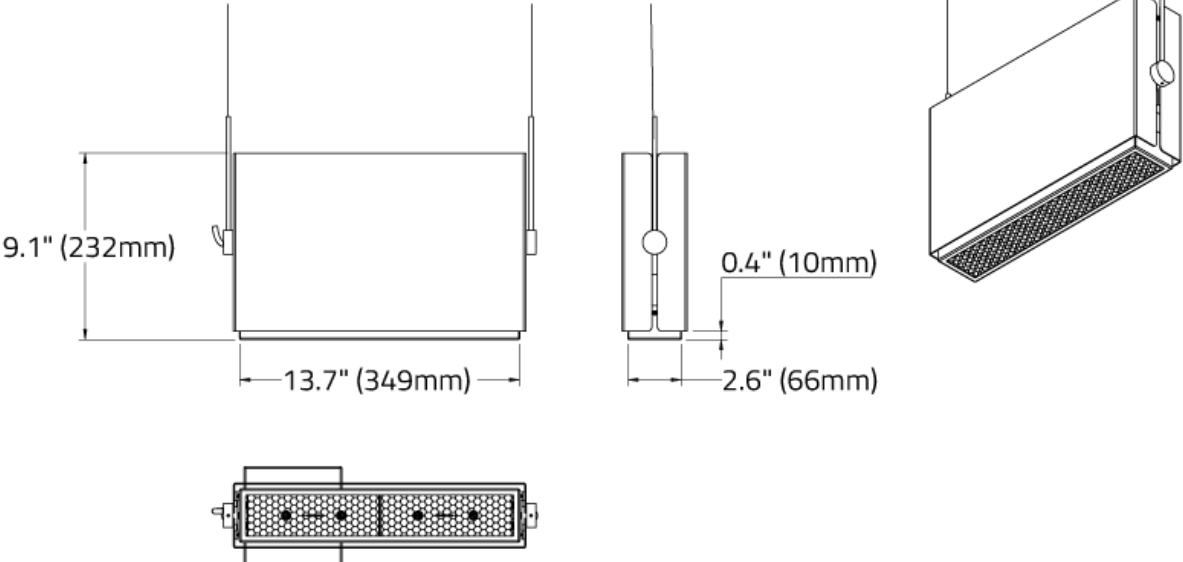


ISOMETRIC BOTTOM VIEW  
(LONG SNOOT)

# MATREX SINGLE™ - SUSPENDED

LOUVRES

## HEX CELL LOUVRE



## LADDER LOUVRE

