

MATREX SINGLE™ - SUSPENDED

Project Name:

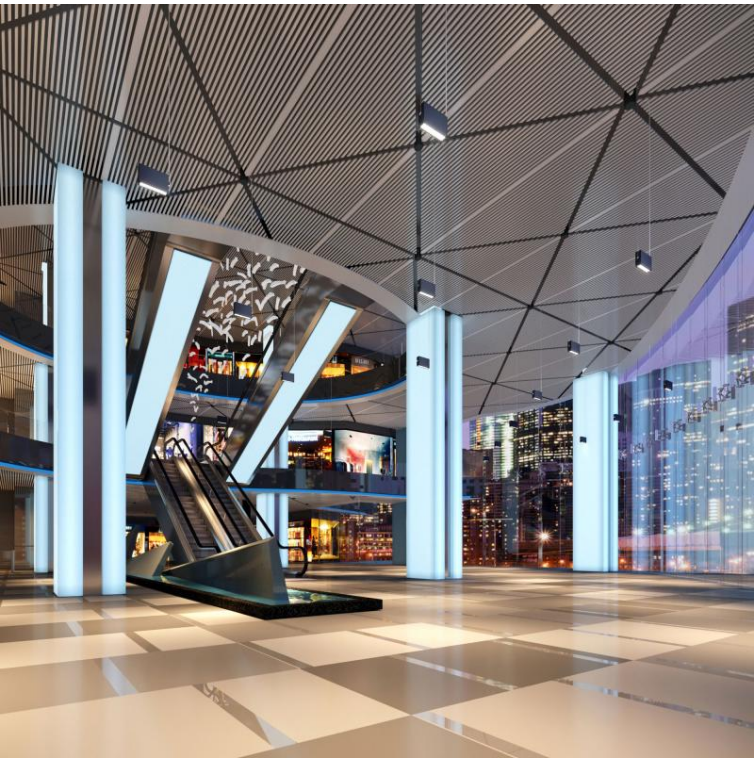
Fixture Type:

Fixture Code:

Quantities:



MATREX SINGLE™ - SUSPENDED



MATREX SINGLE™ - SUSPENDED

MATREX is a family of spotlights packed with power for projecting light at great distances. With best-in-class thermal management and hidden heat sinks, MATREX's form factor is significantly smaller than traditional spotlights. Multiple mounting systems are available, providing a variety of functions that work in a range of applications, especially those with multiple ceiling heights.

GENERAL SPECIFICATION

Body and trim

Steel and aluminum.

Suspension

Steel cables.

Integral emergency system

Emergency option provides a 1.5 hour (3 hours for EU) emergency lighting facility. The self contained system includes the inverter module, NiCad batteries, LED charge indicator and test switch (NA only). Integral emergency EU luminaires have a 17" (434mm) x 8.3" (210mm) x 2.3" (58mm) canopy with LED charge indicator. Not available with a 347V supply. Drivers are in the canopy.

Mechanical

Luminaires mount to a junction box or switch box (by others - North America only), depending on canopy selection.

Delivered lumens

Delivered lumens & lpw based on 4000K, CRI 80+.

Reported L70 @25°C (77°F)

> 60,000 hrs.

Designed by

Serge Cornelissen.

Finish

Powder coated as specified. Custom paint finishes available to special order.

Power cable

Silver braided.

Drivers

HPF, electronic, 120-277V, 347V (EU-240V). The driver is integral to the fixture housing, except when ordering emergency and then the driver is integral in the canopy.

Sensors

Consult factory regarding sensor compatibility.

Approvals

Damp Rated.

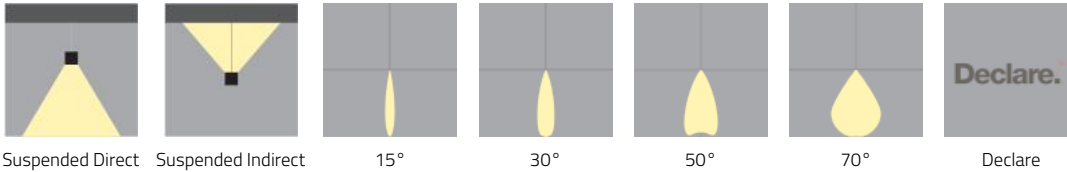
Estimated L70 @25°C (77°F)

> 171,000 hrs.

Design

US Pat. No. D917,765.

MOUNTING & OPTICS



MATREX SINGLE™ - SUSPENDED

HOW TO ORDER

A. LUMINAIRE

MATP1P01 Direct, 9200 lms

MATP2P01 Indirect, 9200 lms

All data shown at max output and nominal values.

B. LUMENS

LMA0230 2300

LMA0460 4600

LMA0690 6900

LMA0920 9200

* Max lumen values shown, refer to IES files for the different snoot and beam options.

C. CRI

CR80 CRI 80+

CR90 CRI 90+

D. CCT

CTA30 3000K

CTA35 3500K

CTA40 4000K

CTA27 2700K ¹

¹ 2700K is only available with CRI 80+

E. BEAM ANGLE

BA15 15°

BA30 30°

BA50 50°

BA70 70°

BA80 50°x80° ¹

¹ For use with NT8 Ladder Louver only.

F. VOLTAGE

V1 120/277V

V2 240V ¹

V3 347V ²

¹ Not available in North America.

² Only available with DA01 dimming.

G. DIMMING

DA01 0-10V Dimming 1.0%

DA02 0-10V Dimming 0.1% ¹

DA20 DALI Dimming 0.1% ¹

DA21 DALI Dimming 1.0% ¹

DA30 DSI/switchDim ^{1 2}

DA40 DMX Dimming ^{1 3}

¹ Not available with 347V.

² Not available in North America.

³ Must be used with CN4 canopy only.

H. FIXTURE FINISH

FA01 White

FA02 Black Metallic - Textured

FA20 Silver Metallic - Textured

FA25 Gold Metallic - Textured

FA44 Midnight Blue Metallic - Textured

FA46 Charcoal Metallic - Textured

FA47 Bronze Metallic - Textured

FA53 Red Metallic - Textured

I. CANOPY

CN1 Canopy A ¹

CN2 Canopy B ²

CN3 Canopy C ^{1 3}

CN4 Canopy D ^{1 *}

¹ Fits over a standard j-box (provided by others)

² Fits over a switch box (provided by others, 4"x2.125")

³ For use with V2 (240V) only.

* To be ordered with E1 (Emergency Integral) or DA40 (DMX Dimming)



MATREX SINGLE™ - SUSPENDED

J. CANOPY FINISH

CF01 White

CF02 Black Metallic - Textured

CF20 Silver Metallic - Textured

CF25 Gold Metallic - Textured

CF44 Midnight Blue Metallic - Textured

CF46 Charcoal Metallic - Textured

CF47 Bronze Metallic - Textured

CF53 Red Metallic - Textured

K. SNOOTS AND LOUVERS

NT1 Standard Snoot - Black ¹

NT2 Standard Snoot - White ¹

NT3 Long Snoot - Black ¹

NT4 Long Snoot - White ¹

NT7 Hex Louver - Black ²

NT8 Ladder Louver - Black ³

For precise beam angle and lumen output, please refer to the IES files. Note that using snoots and louvers may decrease overall efficacy.

¹ A snoot must be picked at time of order, if you are not ordering a louver.

² Not available with BA70 beam angle or indirect.

³ Available with BA80 beam angle and 2300 lumens only and Direct only.

L. EMERGENCY

E0 Emergency system not required

E1 Emergency system - Integral ^{1 2}

¹ Drivers are in the canopy. Not available with 347V. Two power cables will be supplied.

² CN4 canopy only used when ordering emergency or DMX.



MATREX SINGLE™ - SUSPENDED

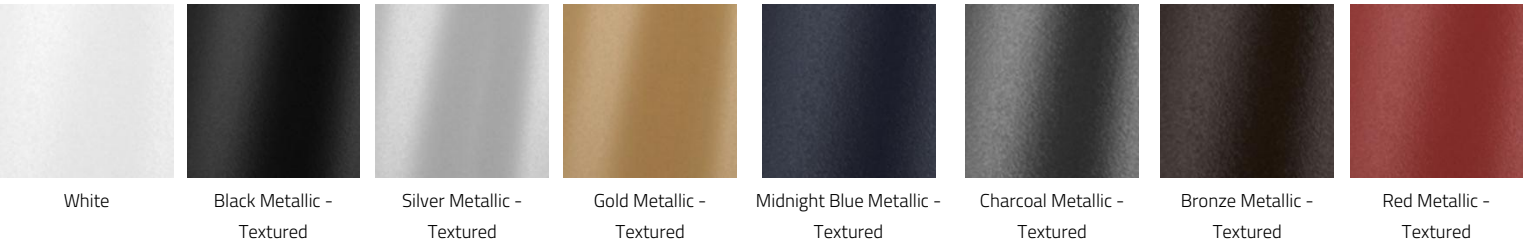
TECHNICAL DATA

LUMINAIRE

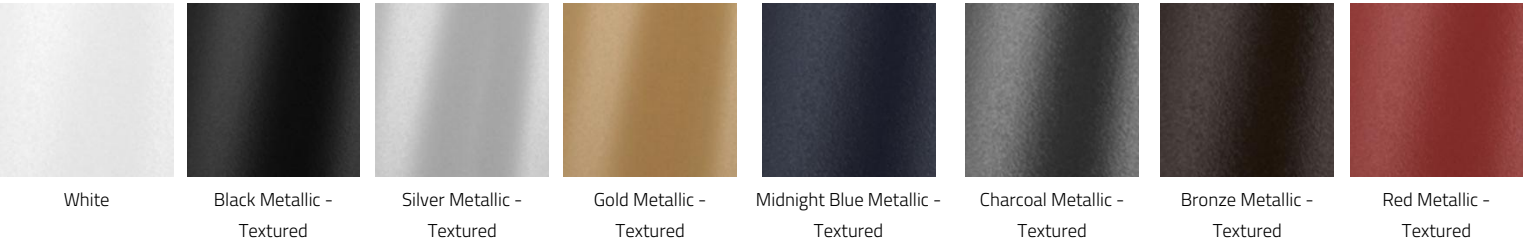
All data shown at max output and nominal values.

Code	MATP1P01	MATP2P01
Light Direction	Direct	Indirect
Wattage	82W	82W
Delivered lms	9200	9200
LPW	130	130

FINISH - FIXTURE



FINISH - CANOPY



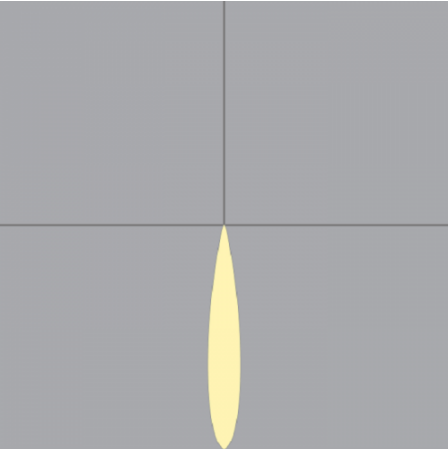
APPROVALS



MATREX SINGLE™ - SUSPENDED

PERFORMANCE DATA

DIRECT 15° BEAM ANGLE

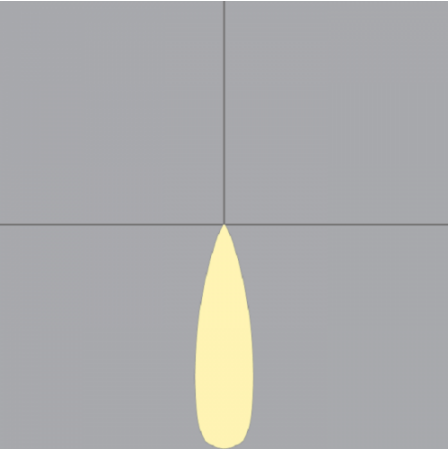


WATTS
16
36
57
82

LUMENS
2300
4500
6800
9000

LPW
138
127
118
110

DIRECT 30° BEAM ANGLE

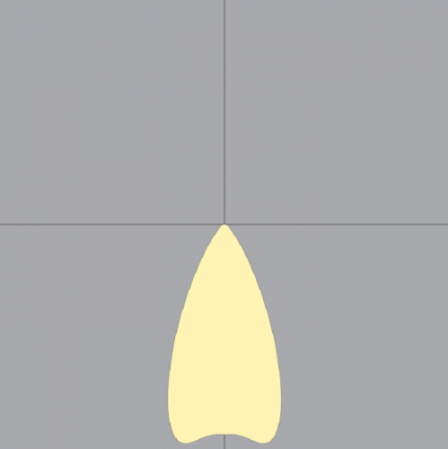


WATTS
16
36
57
82

LUMENS
2200
4600
6900
9200

LPW
140
127
118
110

DIRECT 50° BEAM ANGLE



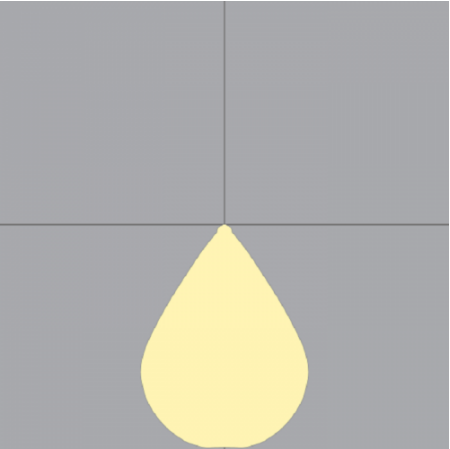
WATTS
16
36
57
82

LUMENS
2200
4400
6500
8700

LPW
133
123
114
107

MATREX SINGLE™ - SUSPENDED

DIRECT 70° BEAM ANGLE



WATTS
16
36
57
82

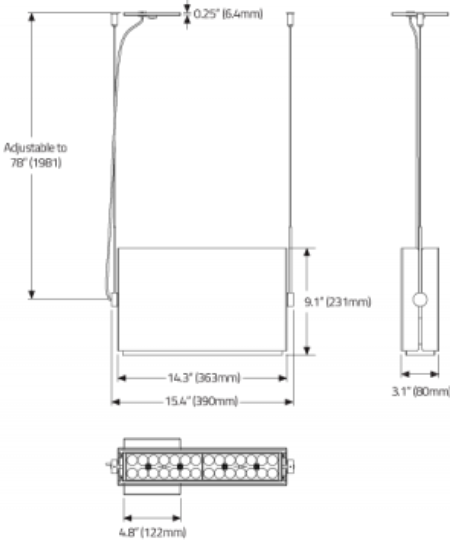
LUMENS
2200
4400
6600
8800

LPW
134
123
115
107

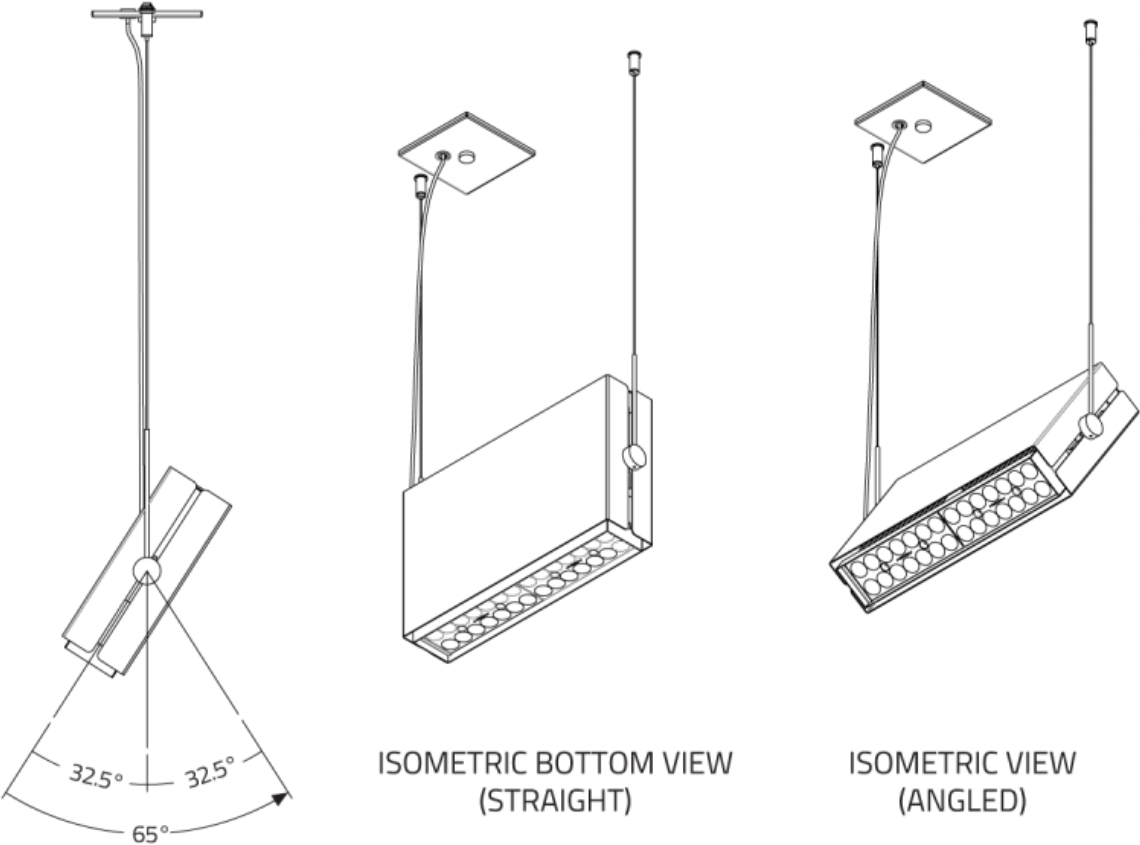
MATREX SINGLE™ - SUSPENDED

DIMENSIONAL DIAGRAMS

PROFILE

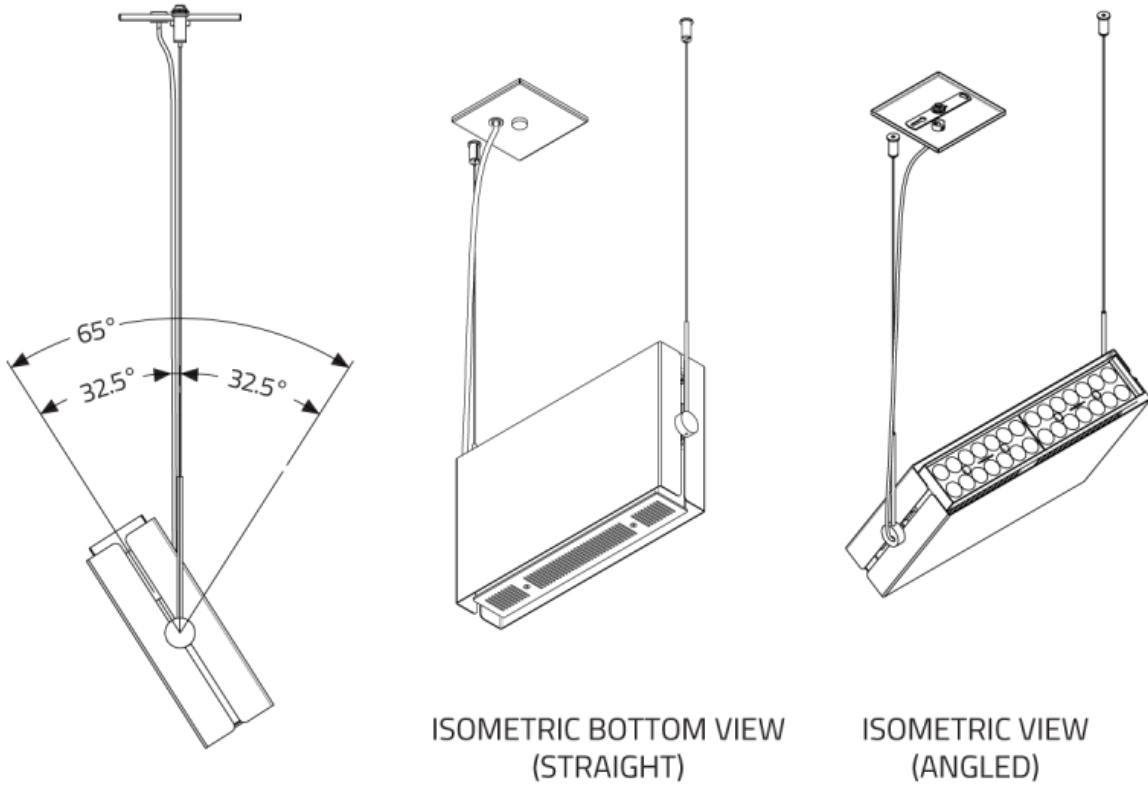


DIRECT

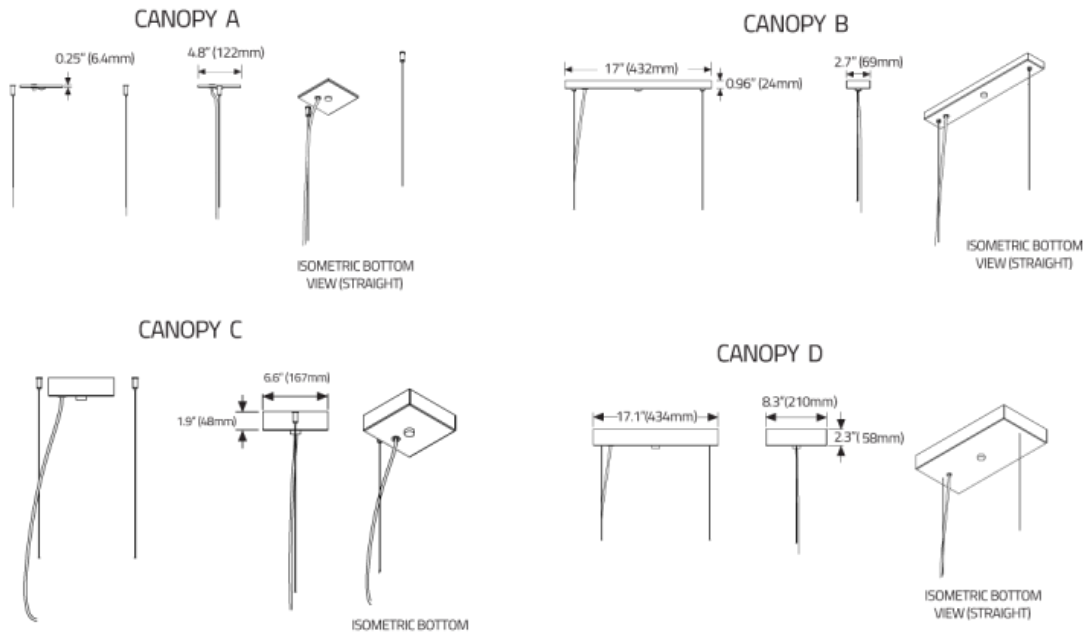


MATREX SINGLE™ - SUSPENDED

INDIRECT

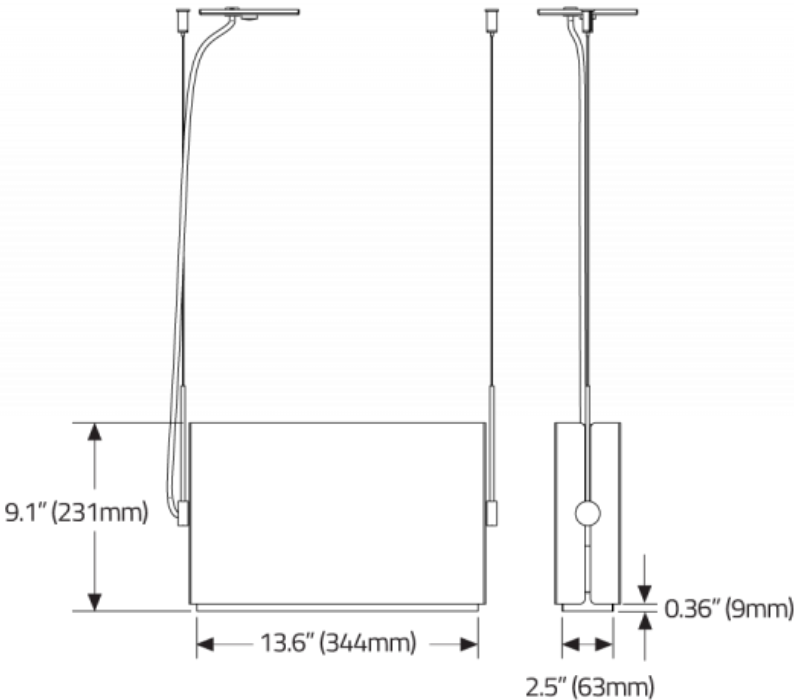


CANOPIES

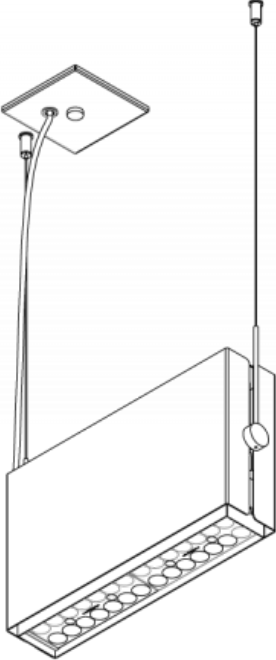


MATREX SINGLE™ - SUSPENDED

STANDARD SNOOT



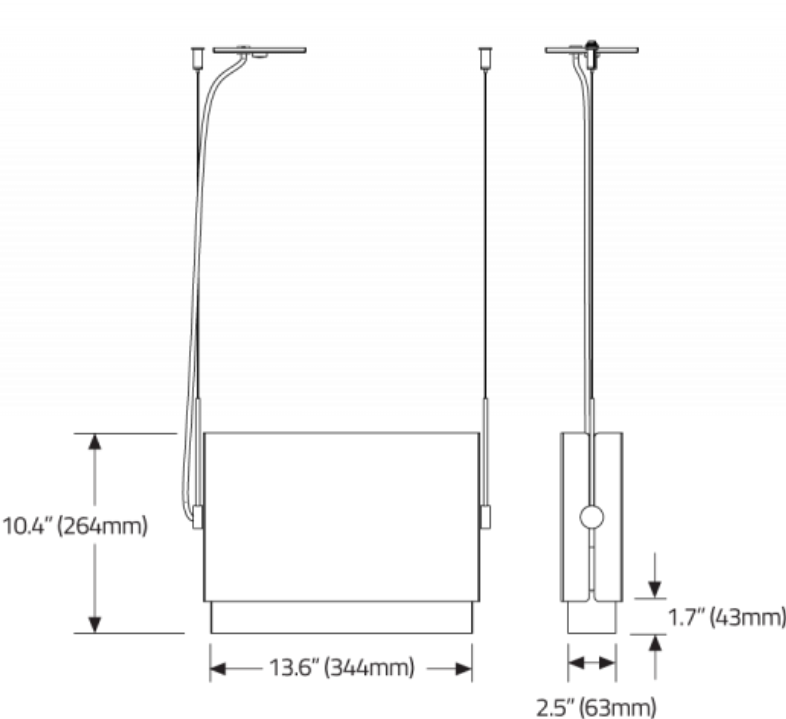
STANDARD SNOOT



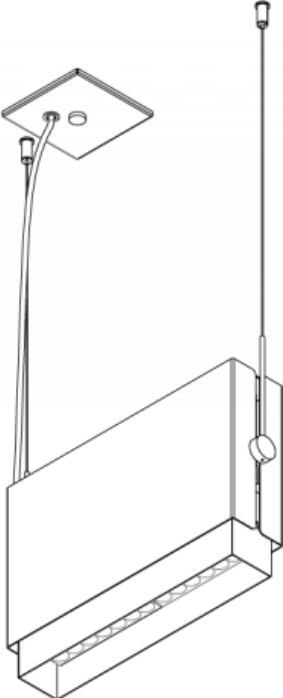
ISOMETRIC BOTTOM VIEW
(STANDARD SNOOT)

MATREX SINGLE™ - SUSPENDED

LONG SNOOT



LONG SNOOT

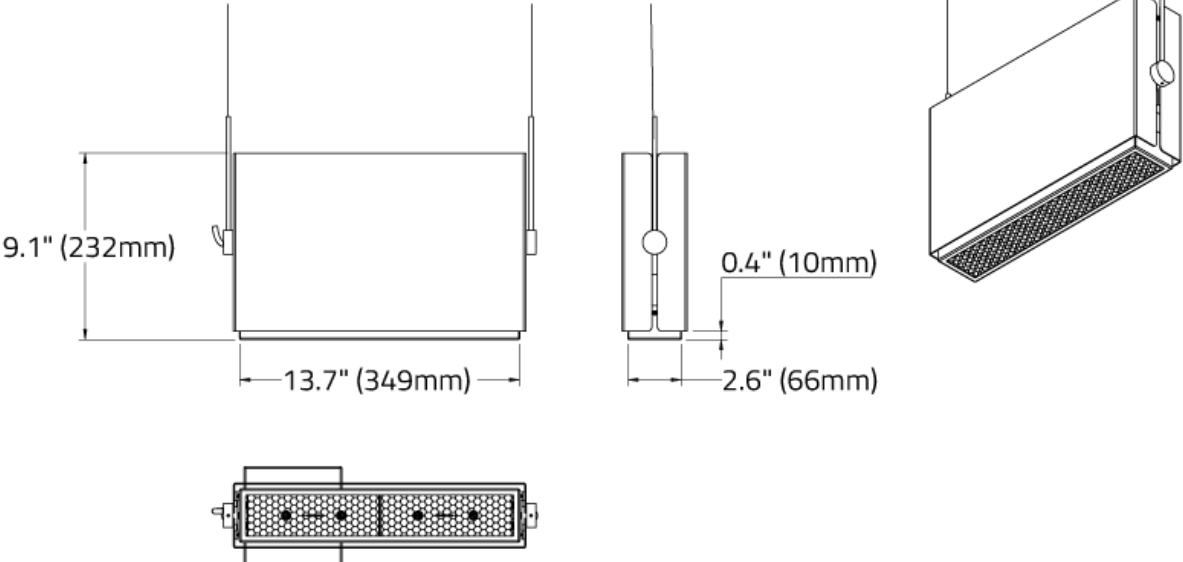


ISOMETRIC BOTTOM VIEW
(LONG SNOOT)

MATREX SINGLE™ - SUSPENDED

LOUVRES

HEX CELL LOUVRE



LADDER LOUVRE

