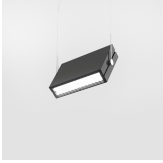


MATREX SINGLE™ - SUSPENDED



Project Name:

Fixture Type:

Fixture Code:

Quantities:

A. LUMINAIRE

MATP1P01 Direct, 9200 lms

MATP2P01 Indirect, 9200 lms

All data shown at max output and nominal values.

B. LUMENS

LMA0230 2300

LMA0460 4600

LMA0690 6900

LMA0920 9200

* Max lumen values shown, refer to IES files for the different snoot and beam options.

C. CRI

CR80 CRI 80+

CR90 CRI 90+

D. CCT

CTA30 3000K

CTA35 3500K

CTA40 4000K

CTA27 2700K¹

¹ 2700K is only available with CRI 80+

E. BEAM ANGLE

BA15 15°

BA30 30°

BA50 50°

BA70 70°

BA80 50°x80°¹

¹ For use with NT8 Ladder Louver only.

F. VOLTAGE

V1 120/277V

V2 240V¹

V3 347V²

¹ Not available in North America.

² Only available with DA01 dimming.

G. DIMMING

DA01 0-10V Dimming 1.0%

DA02 0-10V Dimming 0.1%¹

DA20 DALI Dimming 0.1%¹

DA21 DALI Dimming 1.0%¹

DA30 DSI/switchDim^{1 2}

DA40 DMX Dimming^{1 3}

¹ Not available with 347V.

² Not available in North America.

³ Must be used with CN4 canopy only.

H. FIXTURE FINISH

FA01 White

FA02 Black Metallic - Textured

FA20 Silver Metallic - Textured

FA25 Gold Metallic - Textured

FA44 Midnight Blue Metallic - Textured

FA46 Charcoal Metallic - Textured

FA47 Bronze Metallic - Textured

FA53 Red Metallic - Textured



MATREX SINGLE™ - SUSPENDED

I. CANOPY

CN1 Canopy A ¹

CN2 Canopy B ²

CN3 Canopy C ^{1 3}

CN4 Canopy D ^{1 *}

¹ Fits over a standard j-box (provided by others)

² Fits over a switch box (provided by others, 4"x2.125")

³ For use with V2 (240V) only.

* To be ordered with E1 (Emergency Integral) or DA40 (DMX Dimming)

J. CANOPY FINISH

CF01 White

CF02 Black Metallic - Textured

CF20 Silver Metallic - Textured

CF25 Gold Metallic - Textured

CF44 Midnight Blue Metallic - Textured

CF46 Charcoal Metallic - Textured

CF47 Bronze Metallic - Textured

CF53 Red Metallic - Textured

K. SNOOTS AND LOUVERS

NT1 Standard Snoot - Black ¹

NT2 Standard Snoot - White ¹

NT3 Long Snoot - Black ¹

NT4 Long Snoot - White ¹

NT7 Hex Louver - Black ²

NT8 Ladder Louver - Black ³

For precise beam angle and lumen output, please refer to the IES files. Note that using snoots and louvers may decrease overall efficacy.

¹ A snoot must be picked at time of order, if you are not ordering a louver.

² Not available with BA70 beam angle or indirect.

³ Available with BA80 beam angle and 2300 lumens only and Direct only.

L. EMERGENCY

E0 Emergency system not required

E1 Emergency system - Integral ^{1 2}

¹ Drivers are in the canopy. Not available with 347V. Two power cables will be supplied.

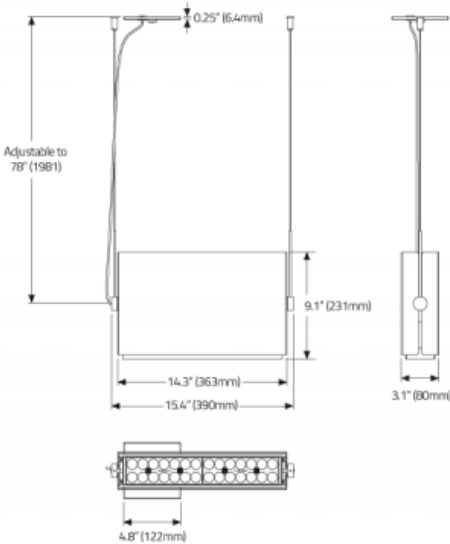
² CN4 canopy only used when ordering emergency or DMX.



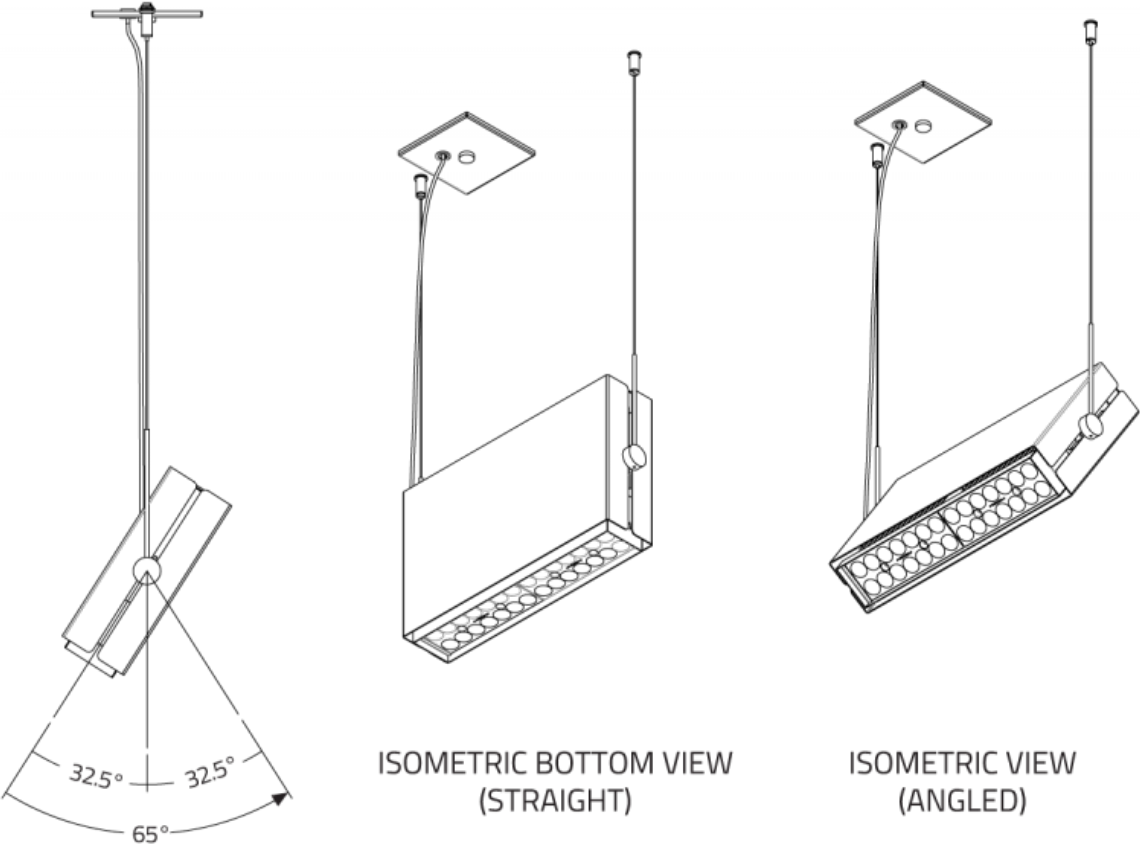
MATREX SINGLE™ - SUSPENDED

DIMENSIONAL DIAGRAMS

PROFILE

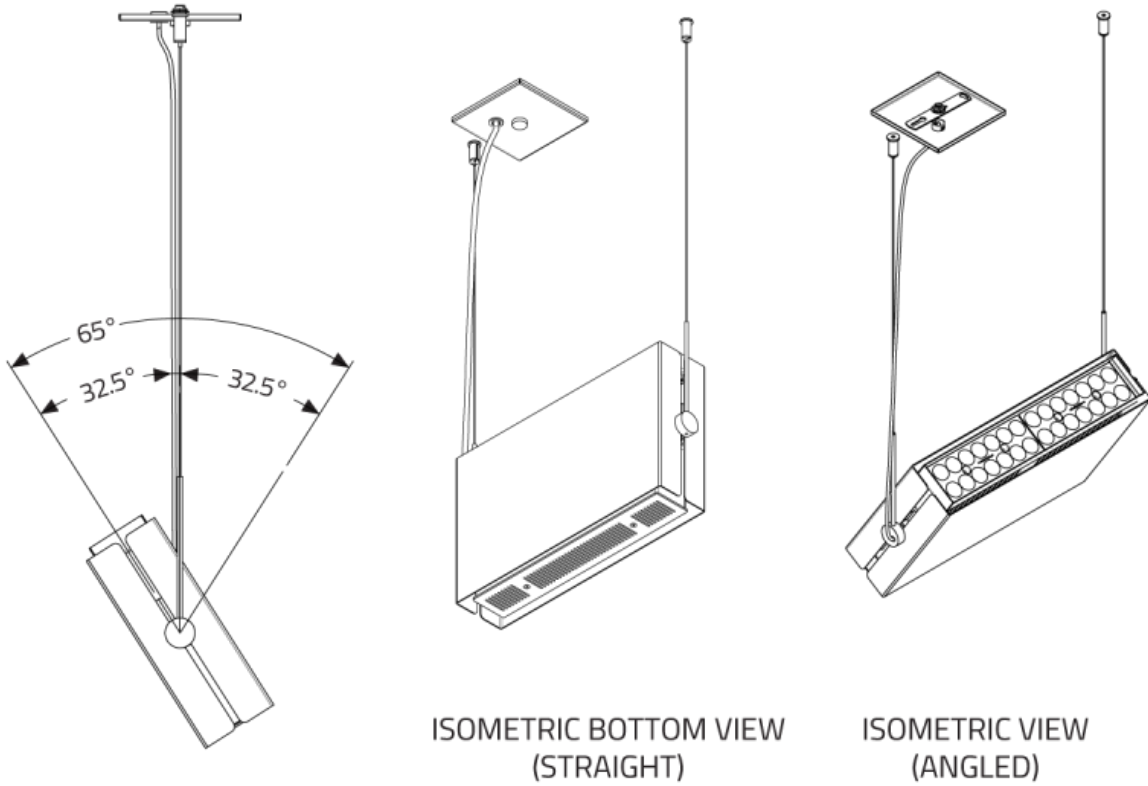


DIRECT

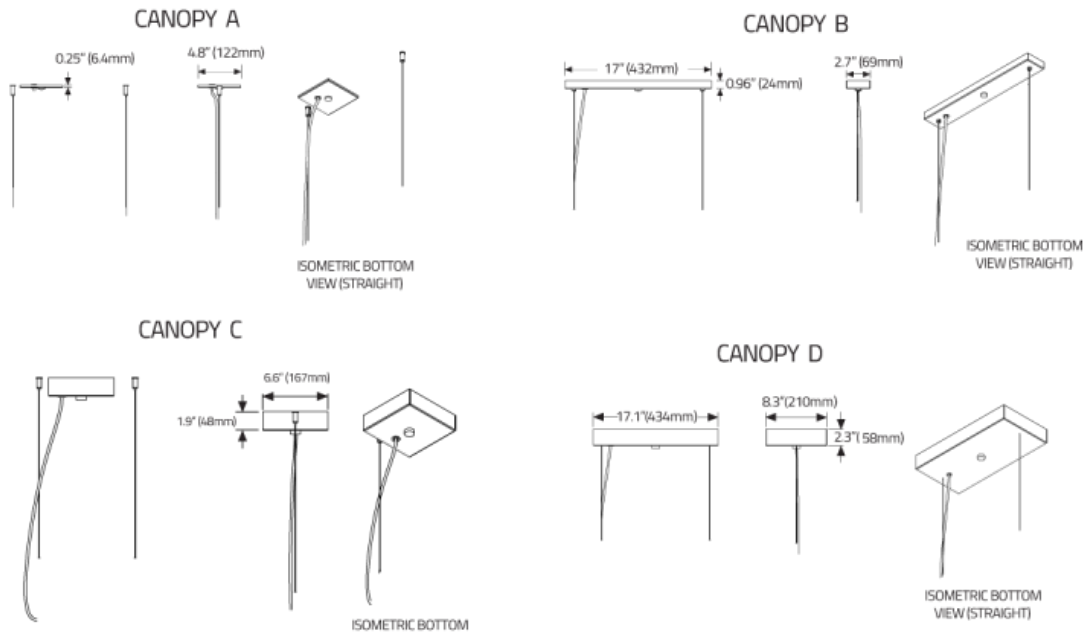


MATREX SINGLE™ - SUSPENDED

INDIRECT

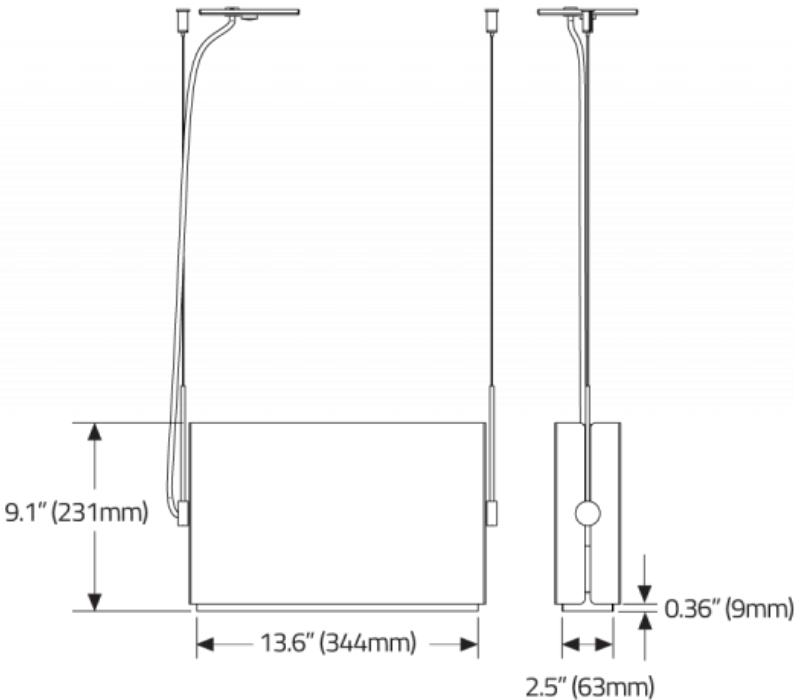


CANOPIES

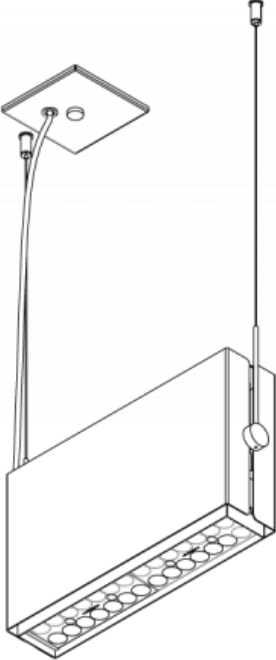


MATREX SINGLE™ - SUSPENDED

STANDARD SNOOT



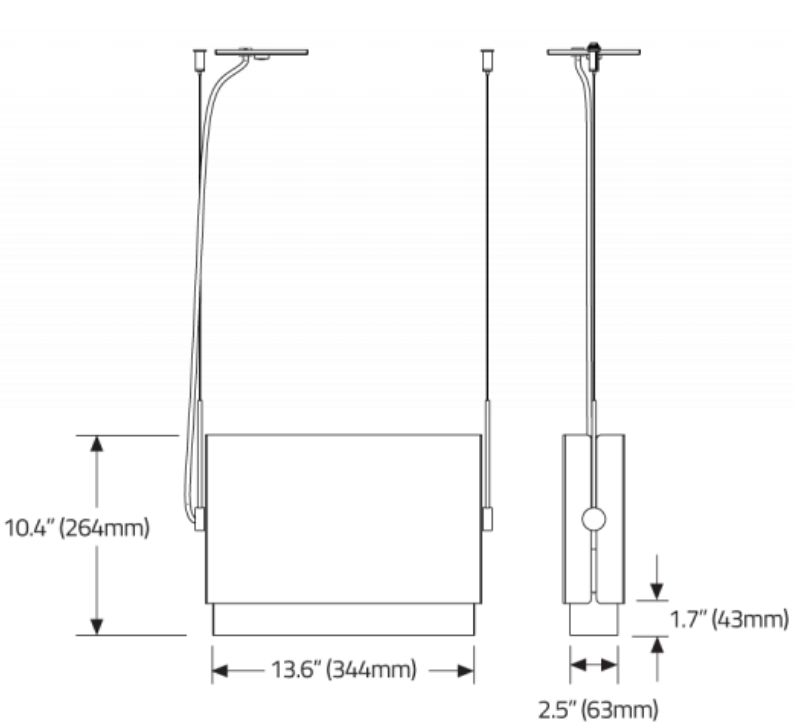
STANDARD SNOOT



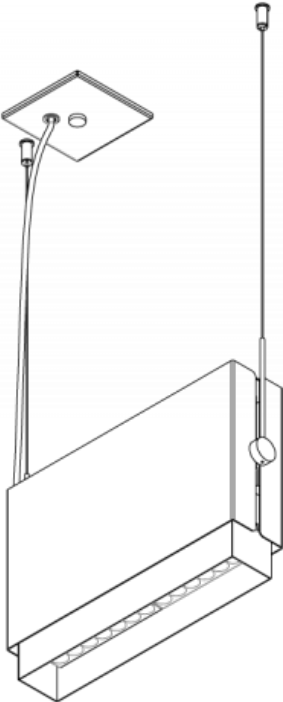
ISOMETRIC BOTTOM VIEW
(STANDARD SNOOT)

MATREX SINGLE™ - SUSPENDED

LONG SNOOT



LONG SNOOT

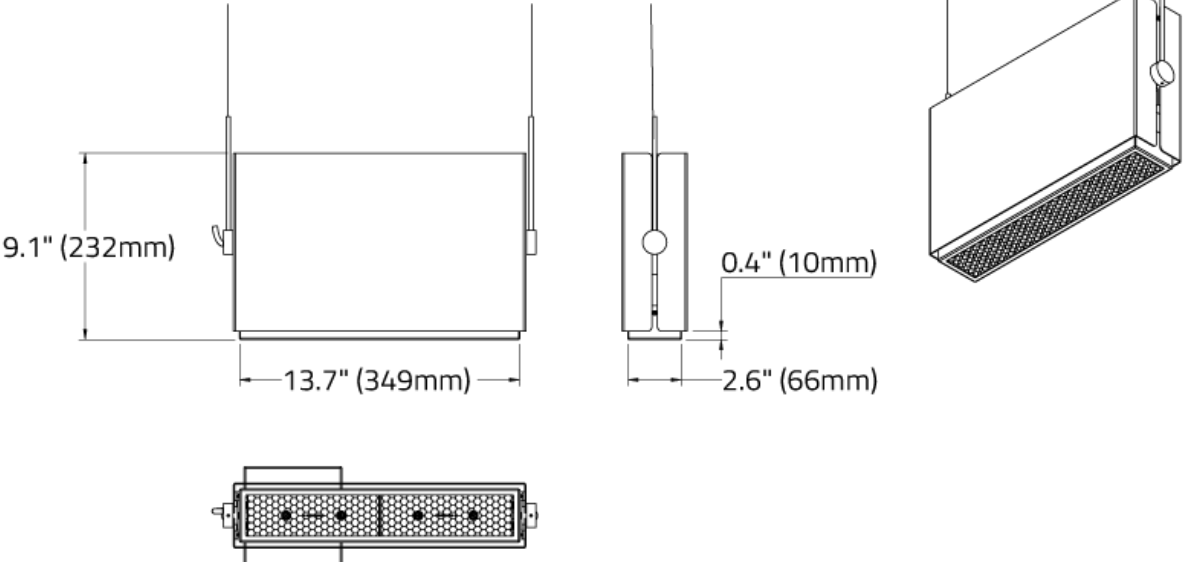


ISOMETRIC BOTTOM VIEW
(LONG SNOOT)

MATREX SINGLE™ - SUSPENDED

LOUVRES

HEX CELL LOUVRE



LADDER LOUVRE

