

MICRO CYLINDER 1.5 CLUSTER™ - SUSPENDED

Project Name:

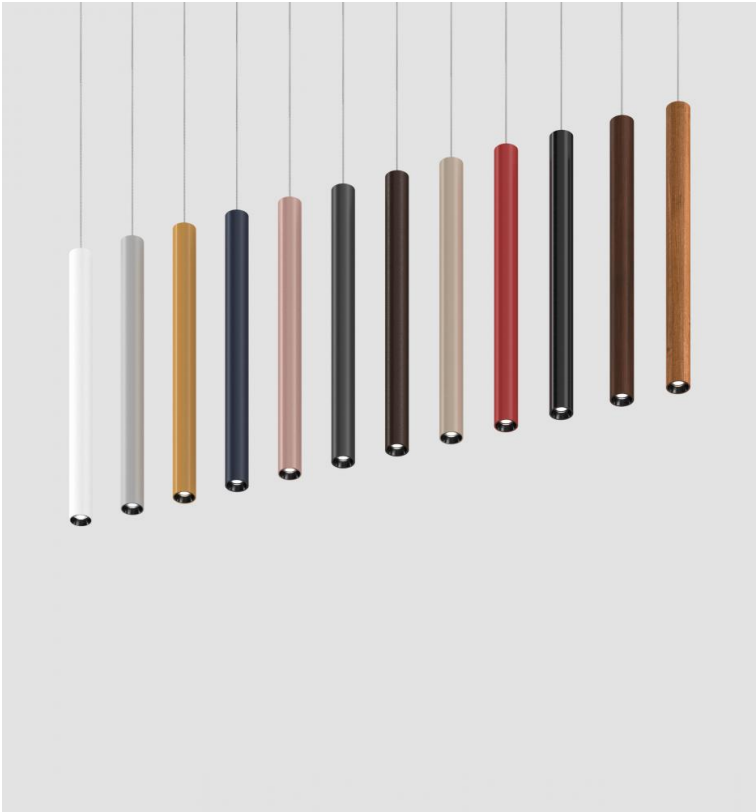
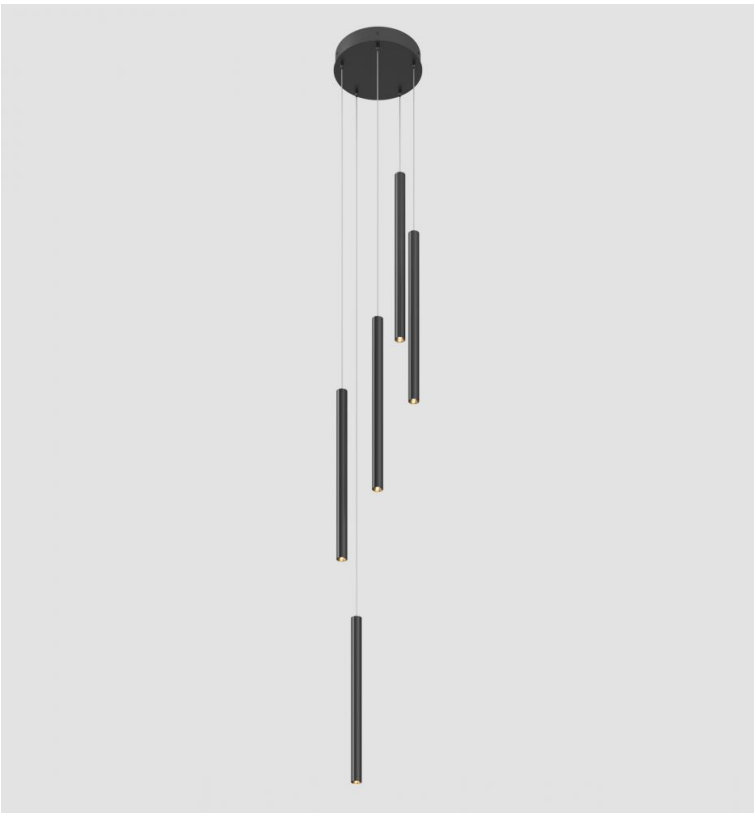
Fixture Type:

Fixture Code:

Quantities:



MICRO CYLINDER 1.5 CLUSTER™ - SUSPENDED



MICRO CYLINDER 1.5 CLUSTER™ - SUSPENDED

Micro Cylinder dabs elegance to minimalism. Lustrous anodized bezels revamp a modest shape into a dashing pendant. With lengths ranging from 12" to 36", Micro Cylinder lends itself to large-scale cascades without being obtrusive or overwhelming to a space. The light output is optimized according to the length of the cylinder allowing more lumen package options for various performance requirements. Regressed optics combined with bezels and a slender profile offer visual and aesthetic comfort.

GENERAL SPECIFICATION

Body

Aluminum.

Suspension/power cable

Power over aircraft cable.

Driver

Mounted in the canopy. HFP for 120-277V (EU-240V). The driver is integral to the fixture canopy.

Delivered Lumens

Delivered lumens & LPW based on 4000K (min 90 CRI).

Reported L70 @25°C (77°F)

> 55,000 hrs

Approvals

Damp Rated.

Finish

Powder coated.

Bezel

Silver, black or gold anodized.

Mechanical

Mounts directly to or over an electrical junction box (by others - North America only).

Sensors

Consult factory regarding sensor compatibility.

Estimated L70 @25°C (77°F)

> 200,000 hrs

Design

US Design Patent Pending.

MOUNTING & OPTICS



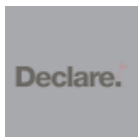
Suspended Direct



25°



42°



Declare



MICRO CYLINDER 1.5 CLUSTER™ - SUSPENDED

HOW TO ORDER

A. LUMINAIRE

MCCL1P03 3 heads

MCCL1P05 5 heads

MCCL1P07 7 heads

Data shown based on 42° beam angle. See performance data page in the download section for 25° beam angle.

B. LENGTH OF HEADS

LOH12 12"

LOH18 18"

LOH24 24"

LOH36 36"

If the heads need to be different lengths within a cluster, consult factory.
The data provided pertains to each head.

C. CRI

CR90 CRI 90+

D. CCT

CTA27 2700K

CTA30 3000K

CTA35 3500K

CTA40 4000K

E. BEAM ANGLE

BA25 25°

BA42 42°

F. VOLTAGE

V1 120/277V

V2 240V¹

V3 347V²

¹ Not available in North America.

² Only available with DA01 dimming.

G. DIMMING

DA01 0-10V Dimming 1.0%¹

H. FIXTURE FINISH

FA01 White

FA02 Black Metallic - Textured

FA20 Silver Metallic - Textured

FA25 Gold Metallic - Textured

FA27 Wood grain - Light Cherry¹

FA28 Wood grain - Dark Walnut¹

FA44 Midnight Blue Metallic - Textured

FA45 Copper Metallic

FA46 Charcoal Metallic - Textured

FA47 Bronze Metallic - Textured

FA52 Champagne Metallic

FA53 Red Metallic - Textured

¹ Longer than normal lead times may apply, consult factory.

I. CANOPY FINISH

CF01 White

CF02 Black Metallic - Textured

CF20 Silver Metallic - Textured

CF25 Gold Metallic - Textured

CF44 Midnight Blue Metallic - Textured

CF45 Copper Metallic

CF46 Charcoal Metallic - Textured

CF47 Bronze Metallic - Textured

CF52 Champagne Metallic

CF53 Red Metallic - Textured

J. BEZEL FINISH

FB24 Black Anodized

FB58 Silver Anodized

FB59 Gold Anodized

K. SUSPENSION

HLA03 3ft cable suspension

HLA06 6ft cable suspension

HLA09 9ft cable suspension

Custom lengths up to 20ft are available, consult factory.



MICRO CYLINDER 1.5 CLUSTER™ - SUSPENDED

TECHNICAL DATA

LUMINAIRE

Data shown based on 42° beam angle. See performance data page in the download section for 25° beam angle.

Code	MCCL1P03	MCCL1P05	MCCL1P07
# of Heads	3	5	7


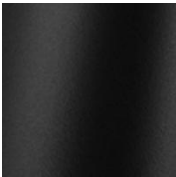
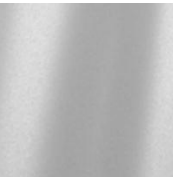

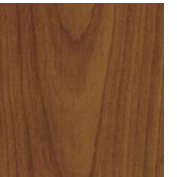
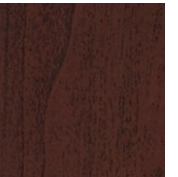
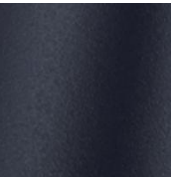

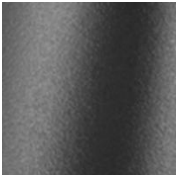
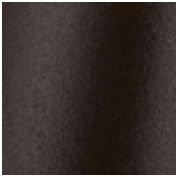


LENGTH OF HEADS

If the heads need to be different lengths within a cluster, consult factory.

The data provided pertains to each head.

Code	LOH12	LOH18	LOH24	LOH36
Length	12"	18"	24"	36"
Wattage	17	17	20	20
Delivered lms	800	800	900	900
LPW	45	45	44	44

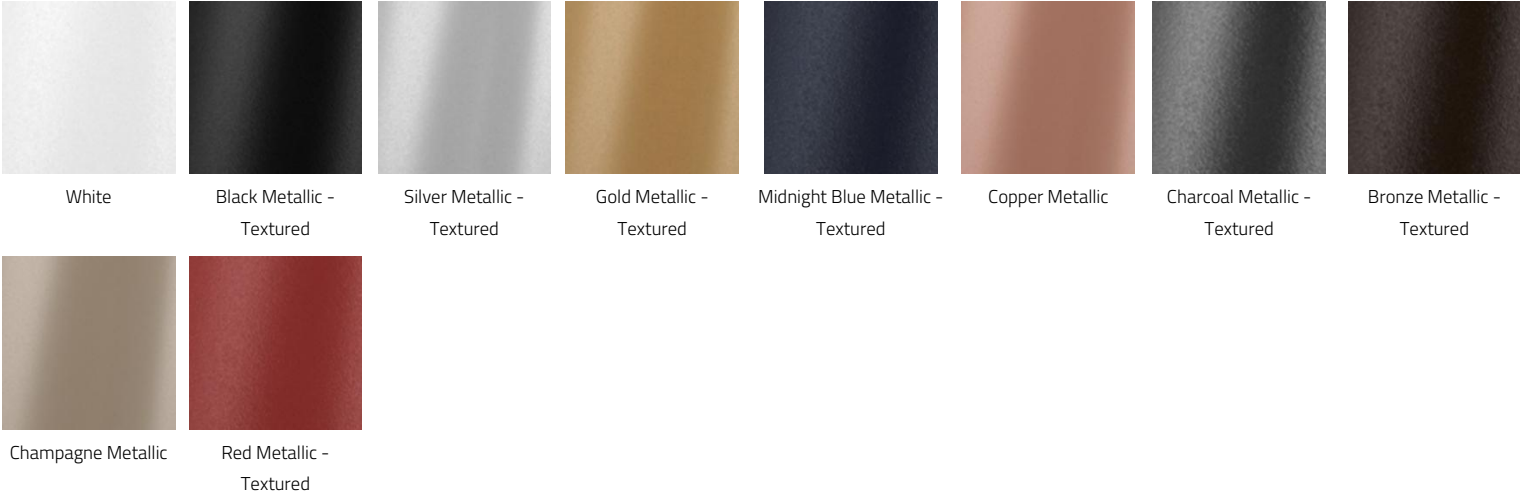
FIXTURE FINISH

							
White	Black Metallic - Textured	Silver Metallic - Textured	Gold Metallic - Textured	Wood grain - Light Cherry ¹	Wood grain - Dark Walnut ¹	Midnight Blue Metallic - Textured	Copper Metallic
							
Charcoal Metallic - Textured	Bronze Metallic - Textured	Champagne Metallic	Red Metallic - Textured				

¹ Longer than normal lead times may apply, consult factory.

MICRO CYLINDER 1.5 CLUSTER™ - SUSPENDED

CANOPY FINISH



BEZEL FINISH



APPROVALS



MICRO CYLINDER 1.5 CLUSTER™ - SUSPENDED

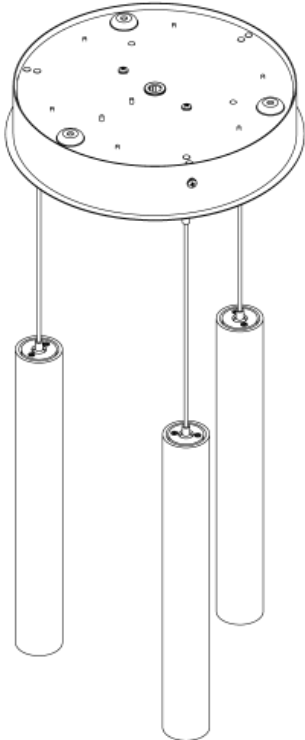
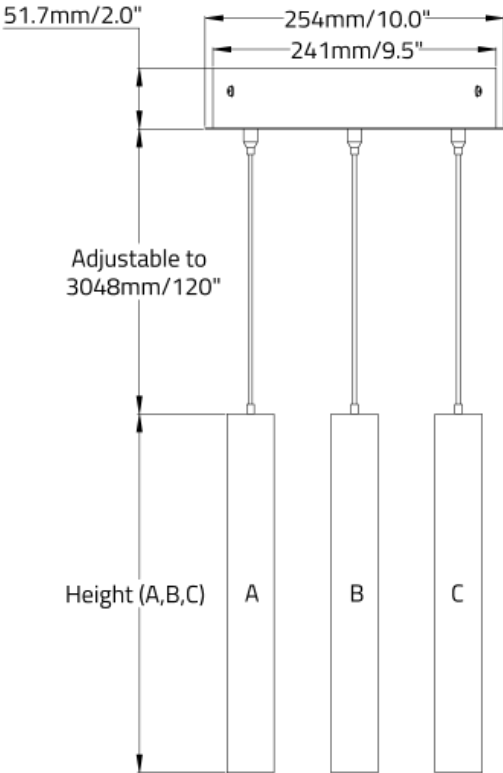
PERFORMANCE DATA

BEAM 25°	LENGTH	DELIVERED LUMENS	WATTS / LPW
	12"	700	17 / 43
	18"	700	17 / 43
	24"	800	20 / 42
	36"	800	20 / 42

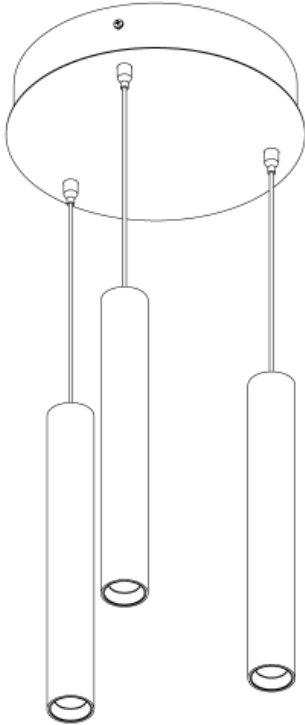
BEAM 42°	LENGTH	DELIVERED LUMENS	WATTS / LPW
	12"	800	17 / 45
	18"	800	17 / 45
	24"	900	20 / 44
	36"	900	20 / 44

MICRO CYLINDER 1.5 CLUSTER™ - SUSPENDED

DIMENSIONAL DIAGRAMS

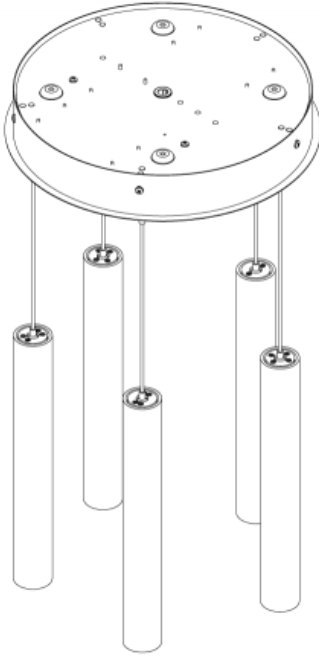
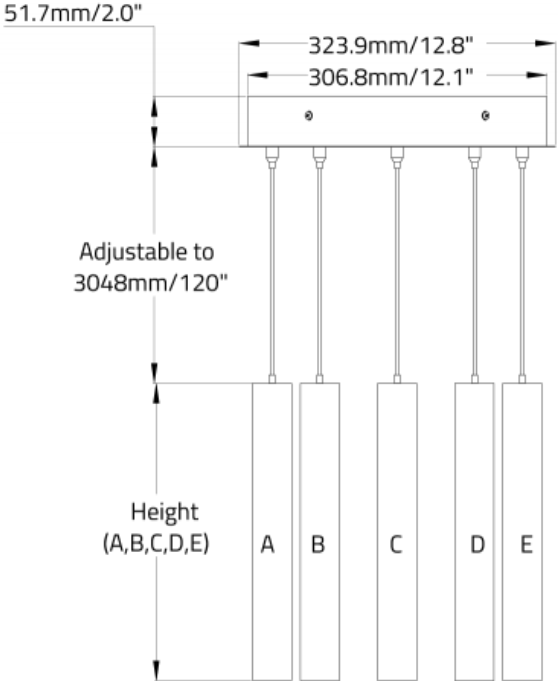


ISOMETRIC TOP VIEW

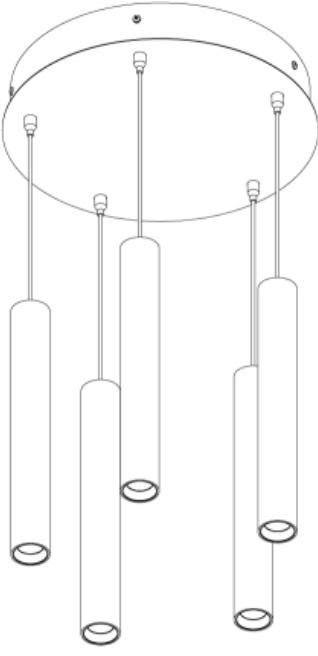


ISOMETRIC BOTTOM VIEW

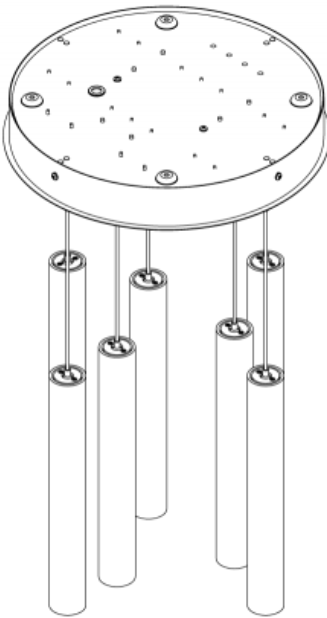
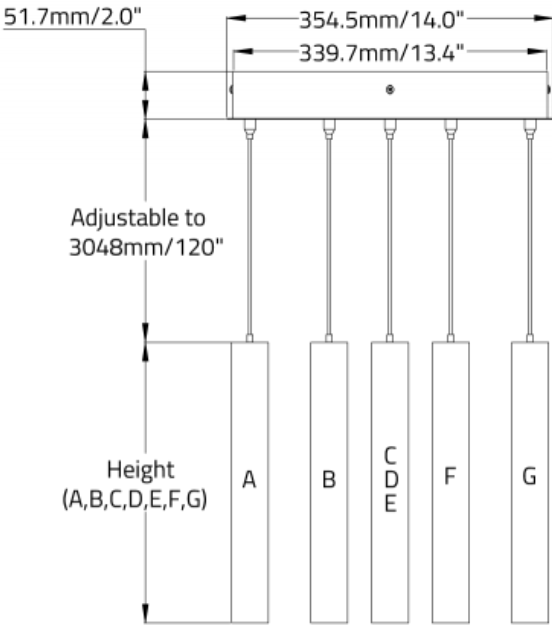
MICRO CYLINDER 1.5 CLUSTER™ - SUSPENDED



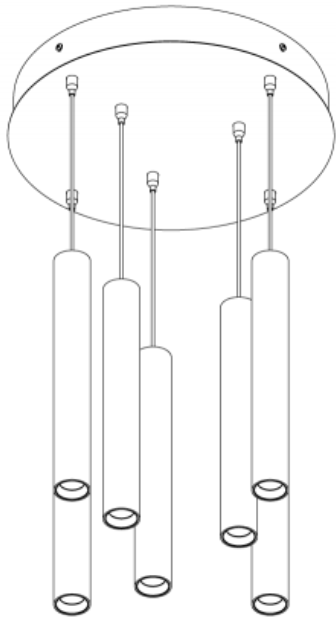
ISOMETRIC TOP VIEW



ISOMETRIC BOTTOM VIEW



ISOMETRIC TOP VIEW



ISOMETRIC BOTTOM VIEW