

MICRO CYLINDER 1.5 CLUSTER™ - SUSPENDED



Project Name:

Fixture Type:

Fixture Code:

Quantities:

A. LUMINAIRE

MCCL1P03 3 heads

MCCL1P05 5 heads

MCCL1P07 7 heads

Data shown based on 42° beam angle. See performance data page in the download section for 25° beam angle.

B. LENGTH OF HEADS

LOH12 12"

LOH18 18"

LOH24 24"

LOH36 36"

If the heads need to be different lengths within a cluster, consult factory.

The data provided pertains to each head.

C. CRI

CR90 CRI 90+

D. CCT

CTA27 2700K

CTA30 3000K

CTA35 3500K

CTA40 4000K

E. BEAM ANGLE

BA25 25°

BA42 42°

F. VOLTAGE

V1 120/277V

V2 240V¹

V3 347V²

¹ Not available in North America.

² Only available with DA01 dimming.

G. DIMMING

DA01 0-10V Dimming 1.0%¹

H. FIXTURE FINISH

FA01 White

FA02 Black Metallic - Textured

FA20 Silver Metallic - Textured

FA25 Gold Metallic - Textured

FA27 Wood grain - Light Cherry¹

FA28 Wood grain - Dark Walnut¹

FA44 Midnight Blue Metallic - Textured

FA45 Copper Metallic

FA46 Charcoal Metallic - Textured

FA47 Bronze Metallic - Textured

FA52 Champagne Metallic

FA53 Red Metallic - Textured

¹ Longer than normal lead times may apply, consult factory.

I. CANOPY FINISH

CF01 White

CF02 Black Metallic - Textured

CF20 Silver Metallic - Textured

CF25 Gold Metallic - Textured

CF44 Midnight Blue Metallic - Textured

CF45 Copper Metallic

CF46 Charcoal Metallic - Textured

CF47 Bronze Metallic - Textured

CF52 Champagne Metallic

CF53 Red Metallic - Textured

J. BEZEL FINISH

FB24 Black Anodized

FB58 Silver Anodized

FB59 Gold Anodized



MICRO CYLINDER 1.5 CLUSTER™ - SUSPENDED

K. SUSPENSION

HLA03 3ft cable suspension

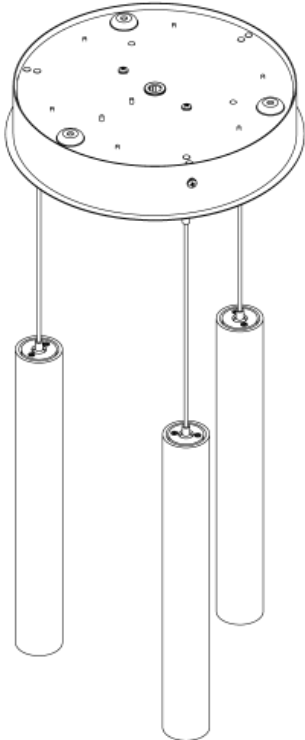
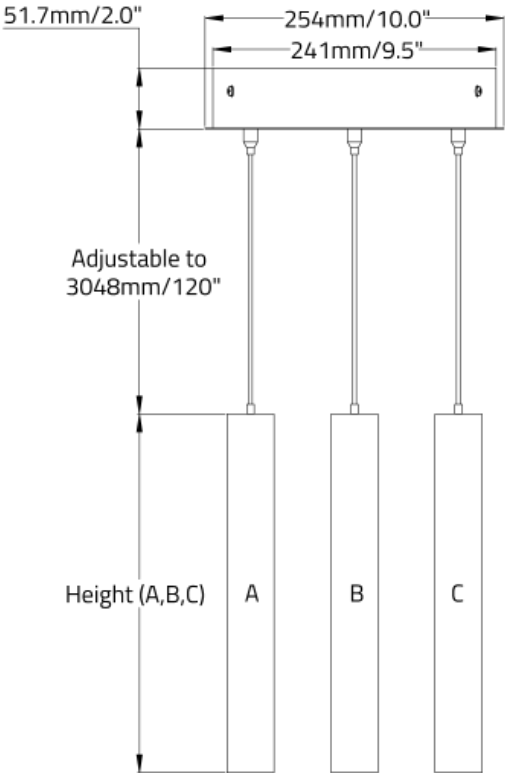
HLA06 6ft cable suspension

HLA09 9ft cable suspension

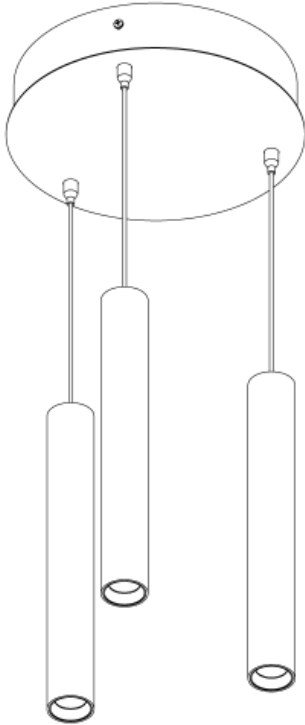
Custom lengths up to 20ft are available, consult factory.

MICRO CYLINDER 1.5 CLUSTER™ - SUSPENDED

DIMENSIONAL DIAGRAMS

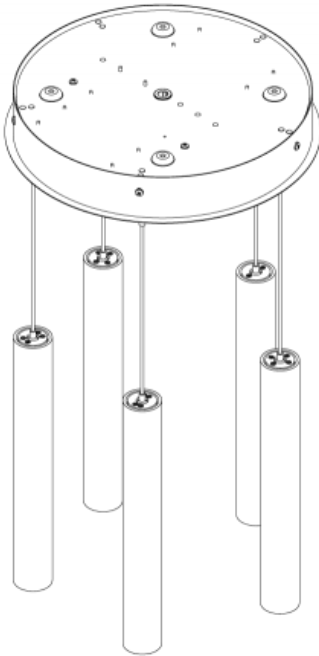
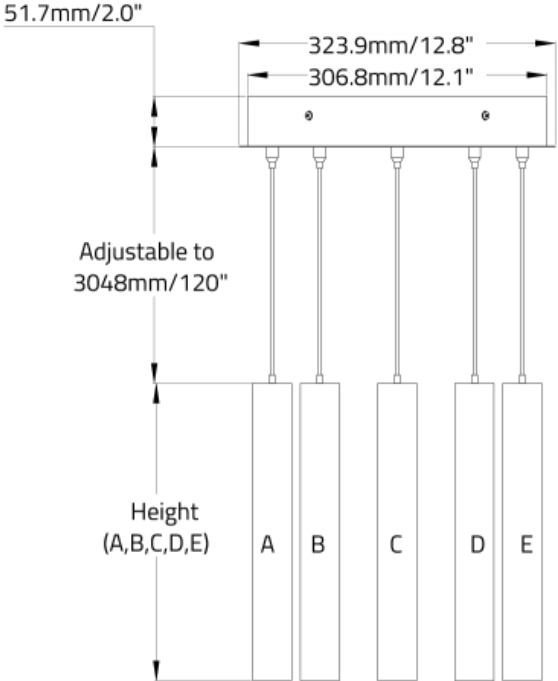


ISOMETRIC TOP VIEW

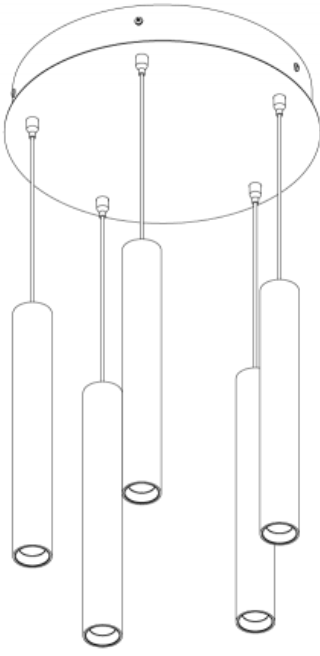


ISOMETRIC BOTTOM VIEW

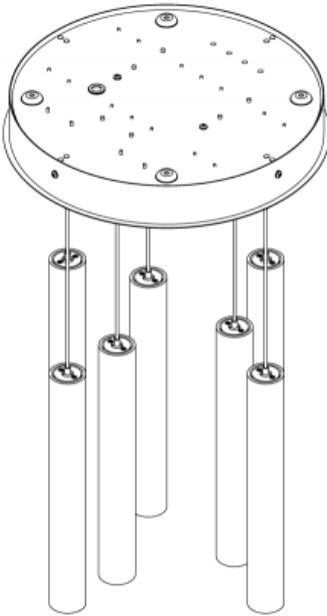
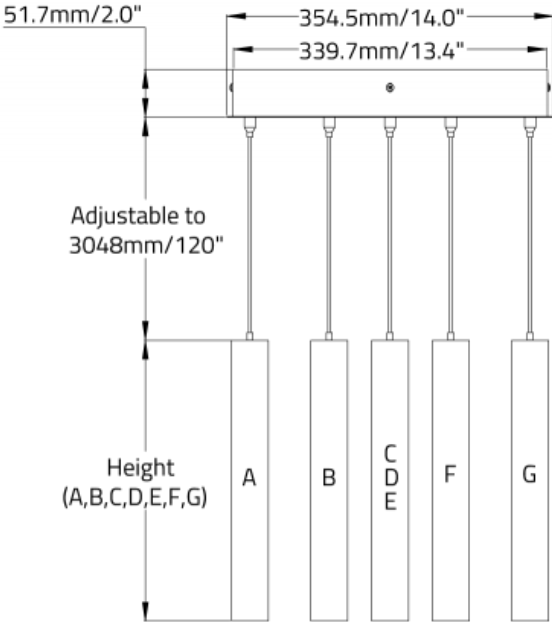
MICRO CYLINDER 1.5 CLUSTER™ - SUSPENDED



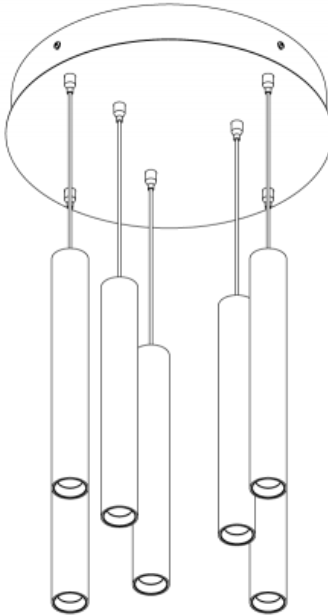
ISOMETRIC TOP VIEW



ISOMETRIC BOTTOM VIEW



ISOMETRIC TOP VIEW



ISOMETRIC BOTTOM VIEW