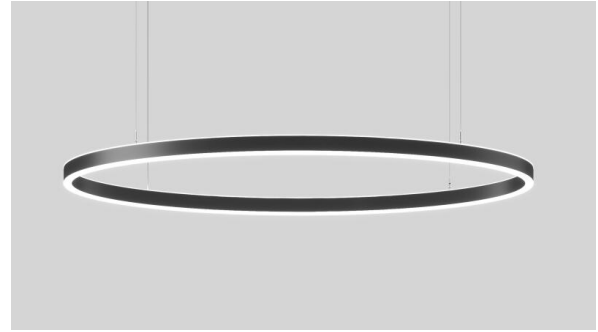




MICRO ELLIPSE II™

FULL SPECIFICATION SHEET



FIXTURE TYPE



FIXTURE CODE

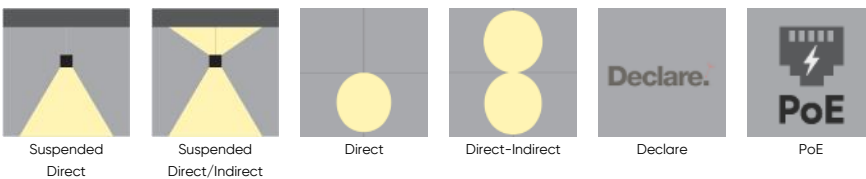


QUANTITIES

1 DESCRIPTION

No shape is more graceful than the ellipse. Featuring an ultra-sleek design profile of 1" and length ranging from 3' to 7', **MICRO ELLIPSE II** is ideal for creating a lasting impression. This dynamic shape offers direct or indirect light, providing versatility for unique illuminating effects. Boasting a high-efficiency, flexible lens that snugly fits the frame, **MICRO ELLIPSE II** eliminates any light leakage while ensuring a uniform and seamless diffusion of light. Whether used as a solitary statement piece or in a composition, **MICRO ELLIPSE II's** impact is undeniable, particularly notable for the ambient halo effect it casts with its indirect lighting. Moreover, **MICRO ELLIPSE II** addresses acoustic needs with an optional acoustic panel for sizes up to 4 feet in length. These panels are designed to reduce echo and reverberation commonly found in modern open-plan spaces, areas with exposed concrete, open ceilings, and large windows. For a touch of whimsy and creative flair, **MICRO ELLIPSE II** can be combined with other shapes like MICRO RING, MICRO TRIANGLE or MICRO QUAD, adding a dynamic and playful dimension to any space.

2 OPTICS & FEATURES



3 APPROVALS



4 GENERAL SPECIFICATION

BODY

Aluminum.

SUSPENSION

POS or Power cord suspension.

DRIVERS

HPF electronic drivers for 120–277V (EU–240V). The driver is integral to the fixture canopy or remote mount depending on which options are selected.

MECHANICAL

Luminaires mount directly over J box (by others – North America only).

REMOTE EMERGENCY

Emergency option provides a 1.5 hour (3 hours for EU) emergency lighting facility. The remote system includes the inverter module, NiCad batteries and a remote wall/ceiling LED charge indicator and test switch (NA only) Maximum distance between wall/ceiling plate and luminaire is 15' (4.5m). Test switch fits a single gang box (not supplied).

SENSORS

Consult factory regarding sensor compatibility.

ACOUSTIC PANELS NRC RATING

0.80

ACOUSTIC PANELS MATERIAL

100% recycled polyester fiber (PET).

REPORTED L70 @25°C(77°F)

> 60,000 hrs.

SEISMIC BRACING

Seismic bracing kits are available to meet compliance requirements. Consult the factory for details.

FINISH

Powder coated.

POWER CABLE

Silver braided.

LENS

Protruding Lens 0.08"(2.1mm).

POE

Micro Ellipse II can integrate into your data network via Power over Ethernet (PoE) connectivity.

REMOTE MOUNTING OF DRIVERS

Wire size 18 AWG – max distance (from fixture to drivers) 40' (12.2m), wire size 16 AWG – max distance 60' (18.3m), wire size 14 AWG – max distance 90' (27.4m). Drivers must be accessible after installation. For longer remote distances, consult factory.

DELIVERED LUMENS

Delivered lumens & LPW based on 3000K (min 80 CRI).

ACOUSTIC PANELS FIRE RATING

ASTM E84–2018 Class A.

ACOUSTIC PANELS THICKNESS

12mm (0.5")

APPROVALS

Damp Rated.

ACOUSTIC PANEL MAINTENANCE

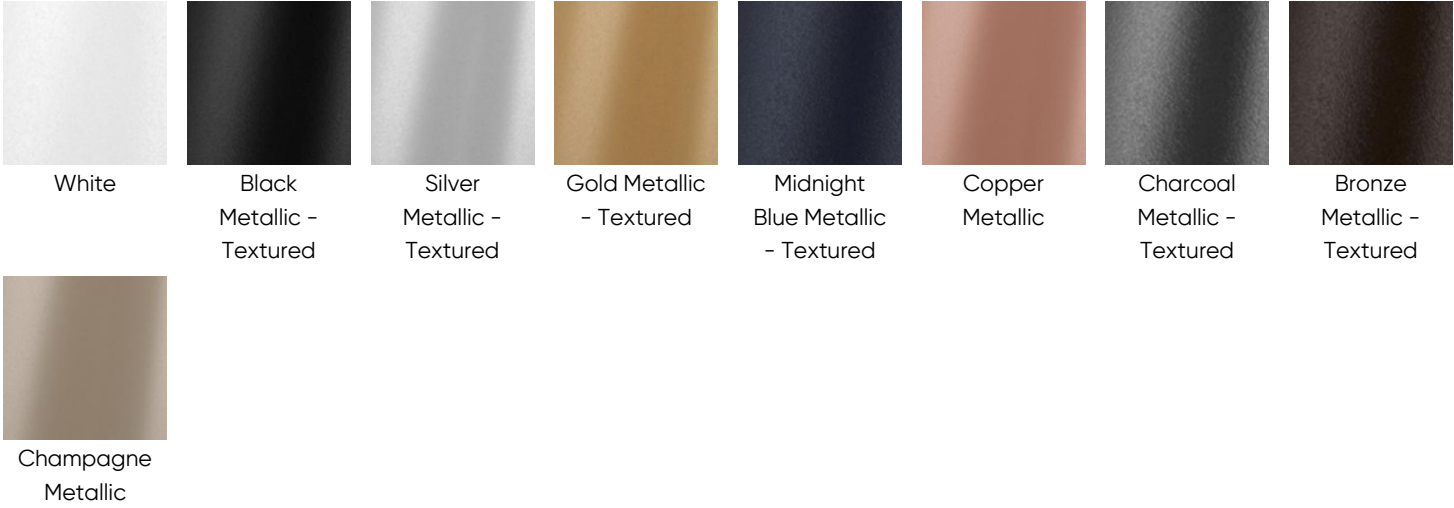
Durable and easy to maintain. Dust regularly and clean marks with mild detergent, rinse, and blot.

SUSTAINABILITY

Designed for on-site LED board, driver, and optic replacement.
Contact the factory for maintenance documentation.

5 DESIGN OPTIONS

FIXTURE FINISH



CANOPY FINISH



ACOUSTIC PANEL FINISH



For accompanying non-illuminating acoustic panels see our Acoustic Circles, Quads and Triangles spec pages. Other finishes available. Contact factory.

6 HOW TO ORDER

1. LUMINAIRE

- METP1P03** 3ft Direct, 2300 lms
- METP1P07** 7ft Direct, 5600 lms
- METP2P06** 6ft Direct/Indirect, 9500 lms
- METP1P04** 4ft Direct, 3200 lms
- METP2P03** 3ft Direct/Indirect, 4900 lms
- METP2P07** 7ft Direct/Indirect, 11300 lms
- METP1P05** 5ft Direct, 4100 lms
- METP2P04** 4ft Direct/Indirect, 6700 lms
- METP1P06** 6ft Direct, 4800 lms
- METP2P05** 5ft Direct/Indirect, 8000 lms

2. LUMENS/FT DIRECT

- LPF017** 175 lm/ft ¹
- LPF026** 260 lm/ft ²
- LPF035** 350 lm/ft ³

¹ 50% of total output. ² 75% of total output. ³ 100% total output.

3. LUMENS/FT INDIRECT

- LPG000** Not required
- LPG017** 175 lm/ft ¹
- LPG026** 260 lm/ft ²
- LPG035** 350 lm/ft ³

¹ 50% of total output. ² 75% of total output. ³ 100% total output.

4. CRI

- CR80** CRI 80+
- CR90** CRI 90+

5. CCT DIRECT

CTA27 2700K **CTA30** 3000K **CTA35** 3500K **CTA40** 4000K

6. CCT INDIRECT

CTB00 Not required **CTB27** 2700K **CTB30** 3000K **CTB35** 3500K
CTB40 4000K

7. VOLTAGE

V1 120/277V **V2** 240V ¹ **V3** 347V ² **V4** Low Voltage ³

¹ Not available in North America. ² Available with DA01 dimming only.

8. DIMMING (REMOTE)

DA01 0-10V Dimming 1.0% ¹ **DA20** DALI Dimming 0.1% ^{1 2} **DA21** DALI Dimming 1.0% ^{1 2} **DA45** PoE ³

¹ Not available with V4. ² Not available with V3. ³ Available with V4 only.

9. SUSPENSION

SS1 Vertical, Remote driver **SS2** Hub, Remote driver ¹ **SS3** Vertical, Driver Integral to Canopy ² **SS4** Hub, Driver Integral to Canopy ¹
SS6 POS, Vertical, Remote driver ³ **SS7** POS, Hub, Remote driver ⁴ **SS9** POS, Hub, Driver Integral to Canopy ⁴

¹ Not available for 60" diameter or larger. ² Direct/Indirect not available for 84" diameter.

³ Direct only light distribution. Available up to 60" diameter and North America only. ⁴ Available with 120V only.

10. FIXTURE FINISH

FA01 White **FA02** Black Metallic - Textured **FA20** Silver Metallic - Textured **FA25** Gold Metallic - Textured
FA44 Midnight Blue Metallic - Textured **FA45** Copper Metallic **FA46** Charcoal Metallic - Textured **FA47** Bronze Metallic - Textured
FA52 Champagne Metallic

11. CANOPY FINISH

CF01 White **CF02** Black Metallic - Textured **CF20** Silver Metallic - Textured **CF25** Gold Metallic - Textured
CF44 Midnight Blue Metallic - Textured **CF45** Copper Metallic **CF46** Charcoal Metallic - Textured **CF47** Bronze Metallic - Textured
CF52 Champagne Metallic

12. ACOUSTIC PANEL FINISH

| | | | |
|--------------------------|-------------------------|----------------------|-------------------------|
| AP00 Not required | AP02 Citrus | AP04 White | AP08 Red Coffee |
| AP11 Light Gray | AP13 Apple Green | AP22 Blue | AP26 Sesame Gray |
| AP27 Black | AP47 Navy Peony | AP60 Pure Red | AP73 Cloudburst |
| AP89 Douglas Fir | APW01 Oak | | |

For accompanying non-illuminating acoustic panels see our Acoustic Circles, Quads and Triangles spec pages. Other finishes available. Contact factory.

13. EMERGENCY

| | |
|------------------------|-------------------------------------|
| E0 Not required | E2 Emergency system – Remote |
|------------------------|-------------------------------------|

7 PERFORMANCE DATA

| METP1P03 O/A Length x Width 36" x 16" | Lumens | Watts | LPW | METP2P03 O/A Length x Width 36" x 16" | Lumens | Watts | LPW |
|--|---------------|--------------|------------|--|---------------|--------------|------------|
| LPF017 | 1100 | 17 | 68 | LPF017-LPG017 | 2400 | 35 | 70 |
| LPF026 | 1700 | 25 | 68 | LPF026-LPG026 | 3700 | 53 | 69 |
| LPF035 | 2300 | 35 | 67 | LPF035-LPG035 | 4900 | 71 | 68 |

| METP1P04 O/A Length x Width 48" x 19" | Lumens | Watts | LPW | METP2P04 O/A Length x Width 48" x 19" | Lumens | Watts | LPW |
|--|---------------|--------------|------------|--|---------------|--------------|------------|
| LPF017 | 1600 | 23 | 68 | LPF017-LPG017 | 3400 | 48 | 70 |
| LPF026 | 2400 | 35 | 68 | LPF026-LPG026 | 5000 | 73 | 69 |
| LPF035 | 3200 | 48 | 67 | LPF035-LPG035 | 6700 | 98 | 68 |

| METP1P05 O/A Length x Width 60" x 22" | Lumens | Watts | LPW | METP2P05 O/A Length x Width 60" x 22" | Lumens | Watts | LPW |
|--|---------------|--------------|------------|--|---------------|--------------|------------|
| LPF017 | 2100 | 30 | 69 | LPF017-LPG017 | 4000 | 57 | 70 |
| LPF026 | 3100 | 45 | 68 | LPF026-LPG026 | 6000 | 87 | 69 |
| LPF035 | 4100 | 61 | 67 | LPF035-LPG035 | 8000 | 117 | 68 |

| METP1P06 O/A Length x Width 72" x 25" | Lumens | Watts | LPW | METP2P06 O/A Length x Width 72" x 25" | Lumens | Watts | LPW |
|--|---------------|--------------|------------|--|---------------|--------------|------------|
| LPF017 | 2400 | 35 | 69 | LPF017-LPG017 | 4700 | 68 | 70 |
| LPF026 | 3600 | 53 | 68 | LPF026-LPG026 | 7100 | 103 | 69 |
| LPF035 | 4800 | 71 | 67 | LPF035-LPG035 | 9500 | 139 | 68 |

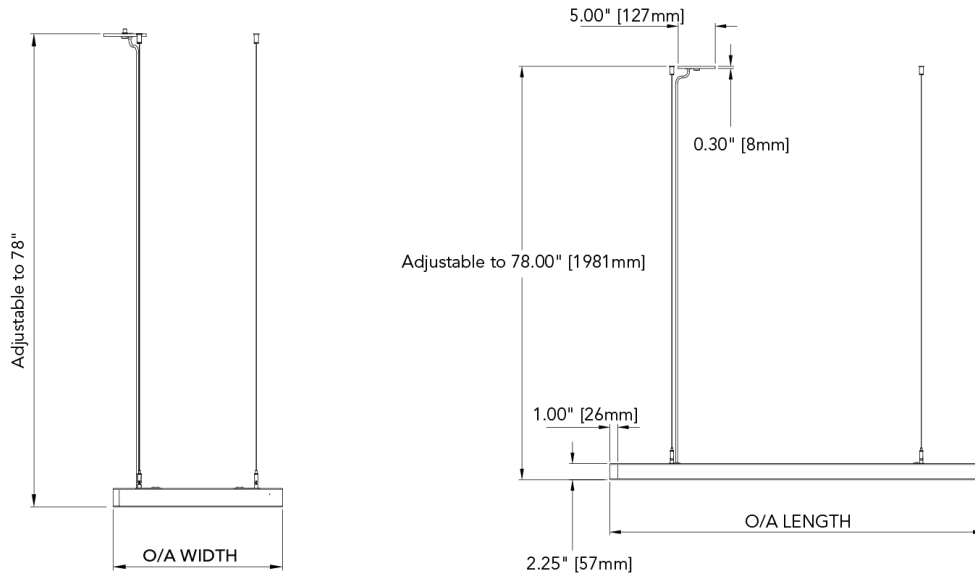
| METP1P07 O/A Length x Width 84" x 28" | Lumens | Watts | LPW | METP2P07 O/A Length x Width 84" x 28" | Lumens | Watts | LPW |
|--|---------------|--------------|------------|--|---------------|--------------|------------|
| LPF017 | 2800 | 41 | 69 | LPF017-LPG017 | 5700 | 81 | 70 |
| LPF026 | 4200 | 62 | 68 | LPF026-LPG026 | 8500 | 124 | 69 |
| LPF035 | 5600 | 84 | 67 | LPF035-LPG035 | 11300 | 166 | 68 |

8 DIMENSIONAL DIAGRAMS

Power Cable Suspension

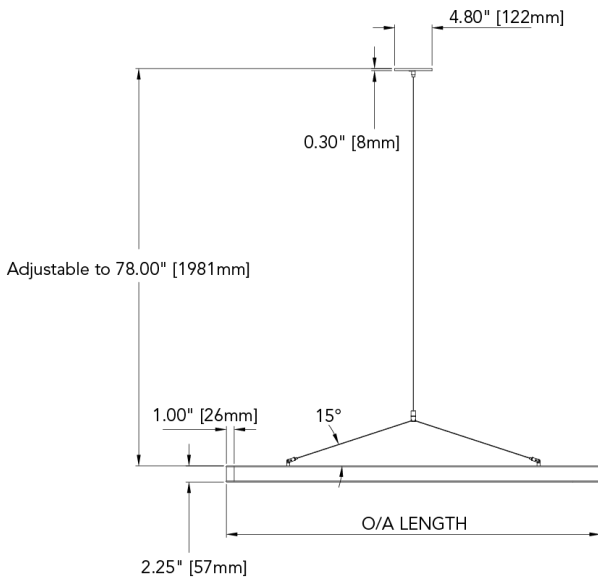
SS1

Vertical - Remote Driver



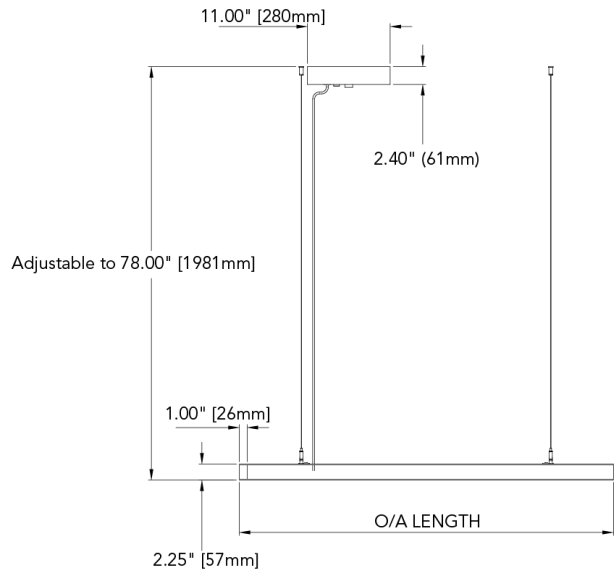
SS2

Hub - Remote Driver



SS3

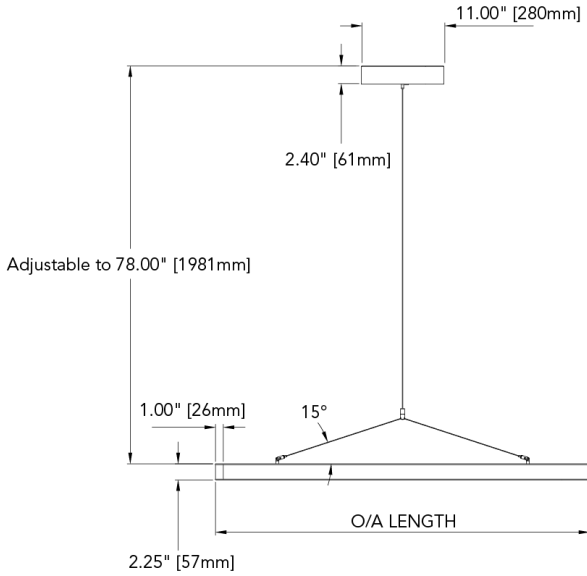
Vertical - Integral Driver



Power Cable Suspension

SS4

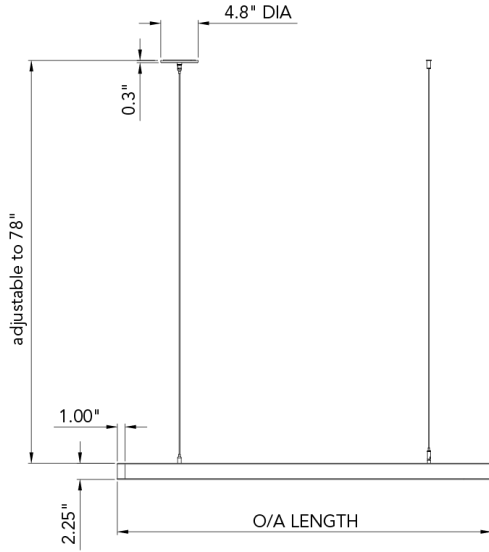
Vertical - Integral Driver



Power Over Suspension

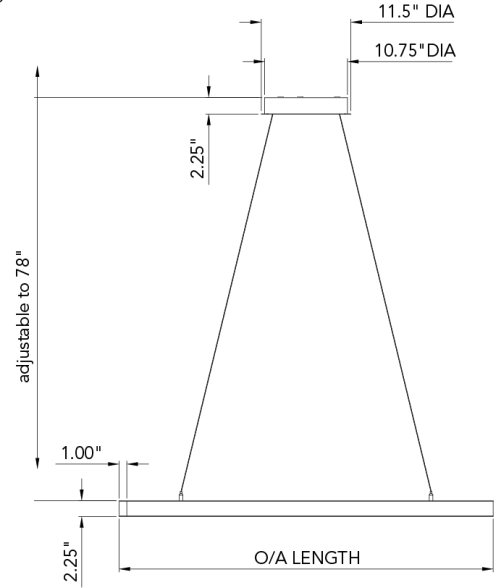
SS6

Vertical - Remote Driver



SS9

Hub - Integral Driver



SS7

Hub - Remote Driver

