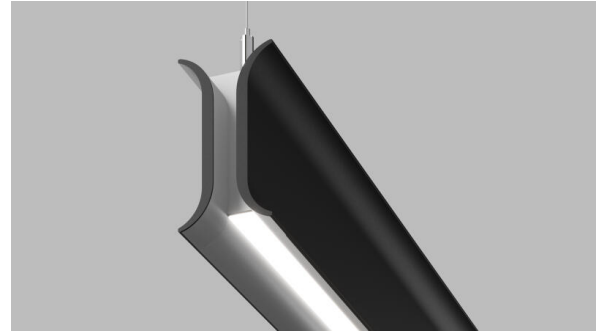




MICRO FLARE™

FULL SPECIFICATION SHEET



Fixture Type

Fixture Code

Quantities

1 DESCRIPTION

MICRO FLARE is about elegance and allure. Two splayed panels reveal an inner trim that creates the perception of a duplex material. The regressed end cap adds a fourth dimension to the seriffed profile and draws out the inner finish as a color accent. **MICRO FLARE** is perfect for interiors that call for textures and duotones. With a UGR <19, the LEDs are perfectly pitched to optimize light performance and visual light diffusion so that the inner trim is accentuated, not washed out. **MICRO FLARE** is a stylish expression of the performance light concept suitable for projects where aesthetics and function go hand in hand.

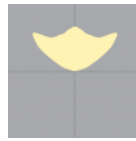
2 MOUNTING & OPTICS



Suspended
Direct/Indirect



Direct DD3



Indirect UD1



Indirect UD3



Declare



PoE

3 APPROVALS



4 GENERAL SPECIFICATION

BODY

Aluminum.

FINISH

Powder coated.

SUSPENSION

Steel cables.

POE

Can be integrated into your data network via Power over Ethernet (PoE) connectivity.

MECHANICAL

Luminaires mount directly over J box (by others).

INTEGRAL EMERGENCY SYSTEM

Emergency option provides a 1.5 hour (3 hours for EU) emergency lighting facility. The self contained system includes the inverter module, NiCad batteries, LED charge indicator and test switch (NA only). Not available with a 347V supply.

SENSORS

Compatible with Avi-On, Casambi, Enlighted, Lutron Vive, nLight, NX Lighting Controls, Osram, Philips, and others. Consult factory.

APPROVALS

Damp Rated.

DESIGN

US Design Patent Pending.

POWER CABLE

Silver braided.

DRIVERS

HPF electronic drivers for 120-277V, 347 (EU-240V). The driver is integral to the fixture housing.

DIFFUSER

Opal acrylic.

REPORTED L70 @25°C (77°F)

> 60,000 hrs @ 1800 lumens/ft (5900 lumens/m)

Estimated L70 @25°C (77°F)

> 165,000 hrs @ 1800 lumens/ft (5900 lumens/m)

DELIVERED LUMENS

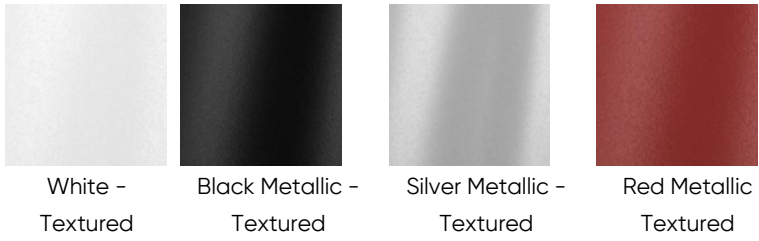
Delivered lumens & LPW based on 4000K CRI 90+

DESIGNED BY

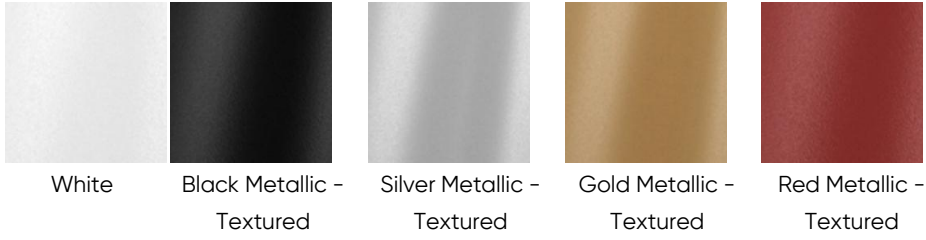
Serge Cornelissen.

5 DESIGN OPTIONS

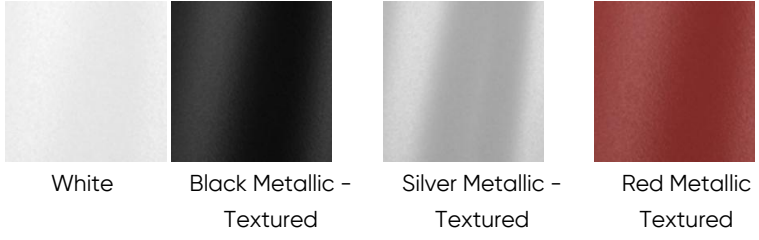
FIXTURE FINISH



INSIDE PANEL FINISH



CANOPY FINISH



6 HOW TO ORDER

A. LUMINAIRE

MFLR1P Direct **MFLR2P** Direct/Indirect

All data based on max values, consult Performance Data download for more details.
 One power cord for every 50 linear feet.

B. LENGTH OF RUN

SFA_ _ _ _

Order in 2ft increments starting at 4ft

C. MAX LENGTH PER SECTION

SL04 4ft	SL06 6ft	SL08 8ft	SL10 10ft
SL12 12ft			

You can select the preferred maximum length per segment, to account for transportation and building constraints. Example: If a 40ft run is required and SL12 (3658mm) is selected, we would provide 4 3048mm segments. For special requirements, please contact sales@betacalco.com.

* Total length = length of run + 2.35in

D. LM/FT (DIRECT)

LPF010 100 lm/ft	LPF020 200 lm/ft	LPF030 300 lm/ft	LPF040 400 lm/ft
-------------------------	-------------------------	-------------------------	-------------------------

E. LM/FT (INDIRECT)

LPG000 Not required	LPG020 200 lm/ft	LPG040 400 lm/ft	LPG060 600 lm/ft
LPG080 800 lm/ft	LPG100 1000 lm/ft	LPG120 1200 lm/ft	LPG140 1400 lm/ft

F. CRI

CR90 CRI 90+

G. CCT

CTA27 2700K	CTA30 3000K	CTA35 3500K	CTA40 4000K
--------------------	--------------------	--------------------	--------------------

H. DIRECT DIFFUSER

DD3 Diffused Light Diffuser

I. UPLIGHT DIFFUSER

UD0 Not required	UD1 Clear diffuser (Batwing distribution)	UD3 Asymmetric diffuser ¹
-------------------------	--	---

¹ Available up to 1000 lms/ft.

J. UPLIGHT BLACKOUT PLATE

UB00 Not required	UB_ _ Blackout plate ¹
--------------------------	--

¹ Available on a per foot basis. May be required to prevent lighting up of duct work in loft style applications.

K. VOLTAGE

V1 120/277V

V2 240V ¹

V3 347V ²

V4 Low Voltage ³

¹ Not available in North America.

² Only available with DA01 dimming.

³ Only available with DA45 dimming.

L. DIMMING

DA01 0–10V Dimming 1.0%

DA02 0–10V Dimming 0.1% ¹

DA20 DALI Dimming 0.1% ¹

DA21 DALI Dimming 1.0% ¹

DA30 DSI/switchDim ²

DA45 PoE ³

¹ Not available with V3.

² Not available in North America.

³ Only available with V4.

M. CEILING TYPE

G1 Grid ceiling ¹

H1 Hard ceiling ²

¹ Combo kit includes installation to T-bar and through tile mount.

² Designed for drywall ceilings.

N. SUSPENSION

HLA03 3ft cable suspension

HLA06 6ft cable suspension

HLA09 9ft cable suspension

O. FIXTURE FINISH

FA01 White – Textured

FA02 Black Metallic – Textured

FA20 Silver Metallic – Textured

FA53 Red Metallic Textured

P. INSIDE TRIM FINISH

FB01 White

FB02 Black Metallic – Textured

FB20 Silver Metallic – Textured

FB25 Gold Metallic – Textured

FB53 Red Metallic – Textured

Q. CANOPY FINISH

CF01 White

CF02 Black Metallic – Textured

CF20 Silver Metallic – Textured

CF53 Red Metallic Textured

R. EMERGENCY

E0 Not required **E2** Emergency system - Remote ¹ **E3** Emergency generated circuit ²

¹ Only available with 0-10V 1% dimming. An extra power cord will be supplied to each section of the fixture when ordering emergency.

² Available upon request, consult factory for details. Not available with 347V.

S. CIRCUITS

CS1 Single circuit **CS2** Dual circuit ¹

T. SENSORS

7 TECHNICAL DATA

LUMINAIRE

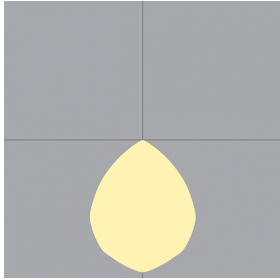
All data based on max values, consult Performance Data download for more details.

One power cord for every 50 linear feet.

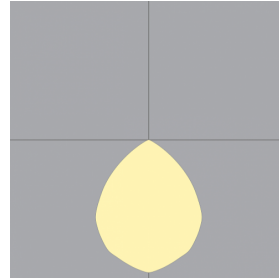
Code	MFLR1P	MFLR2P
Light Direction	Direct	Direct/Indirect
Lms/Ft Direct	400	400
Lms/ft Indirect		1400
Watts/Ft Direct	5	5
Watts/Ft Indirect		12
LPW Direct	109	109
LPW Indirect		144

8 PERFORMANCE DATA

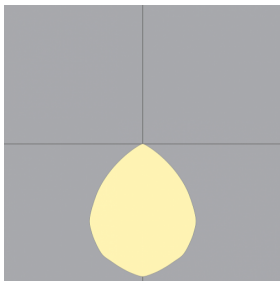
**INSIDE PANEL DIRECT
(WHITE/SILVER METALLIC
TEXTURED)**

	LUMEN/FT	WATT/FT	LPW
	400	5	94
	300	4	97
	200	2	101
	100	1	109

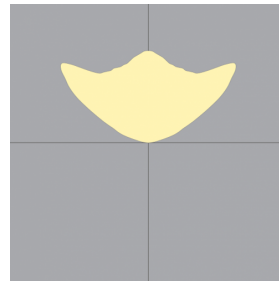
**INSIDE PANEL DIRECT
(BLACK METALLIC
TEXTURED)**

	LUMEN/FT	WATT/FT	LPW
	400	5	82
	300	4	84
	200	2	87
	100	1	94

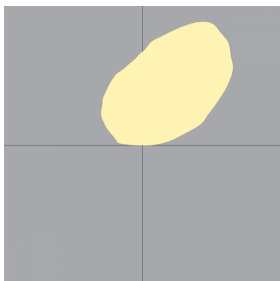
**INSIDE PANEL DIRECT (GOLD
METALLIC/RED METALLIC
TEXTURED)**

	LUMEN/FT	WATT/FT	LPW
	400	5	89
	300	4	91
	200	2	95
	100	1	103

INDIRECT BATWING (UD1)

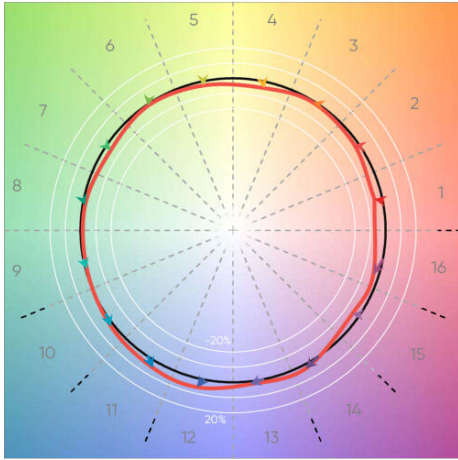
	LUMEN/FT	WATT/FT	LPW
	1400	12	116
	1200	10	119
	1000	8	122
	800	6	127
	600	5	131
	400	3	137
	200	2	144

**INDIRECT ASYMMETRIC
(UD3)**

	LUMEN/FT	WATT/FT	LPW
	1000	12	82
	800	10	85
	600	6	89
	400	5	92
	200	2	96

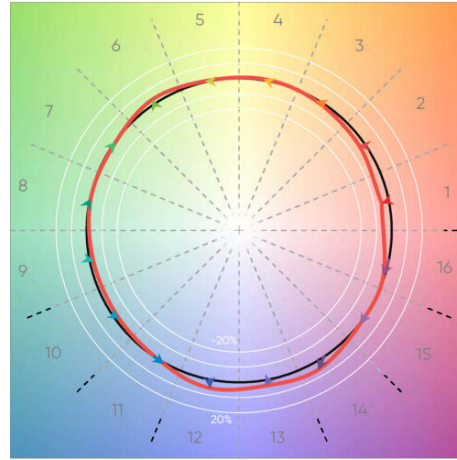
9 TM-30 DATA

CCT 2700K



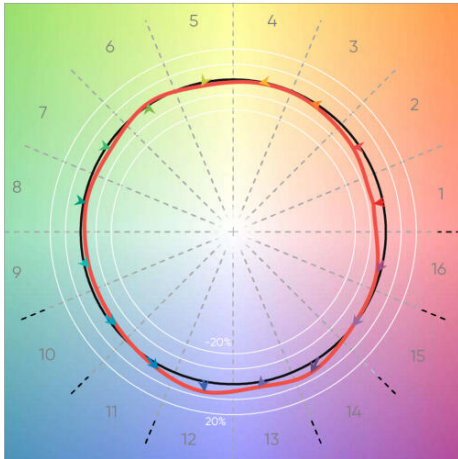
CRI(Ra)	93
CRI(R9)	61
TM30(Rf)	91
TM30(Rg)	98
Duv	-0.0022

CCT 3000K



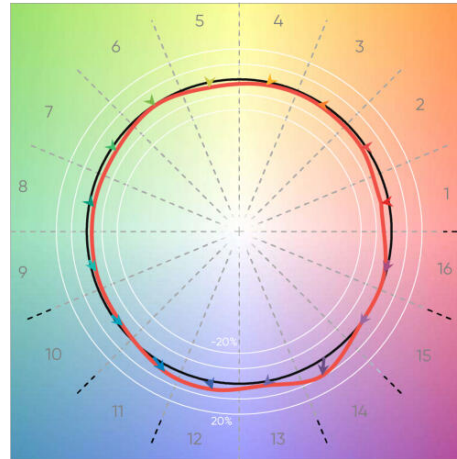
CRI(Ra)	92
CRI(R9)	58
TM30(Rf)	92
TM30(Rg)	100
Duv	-0.0003

CCT 3500K



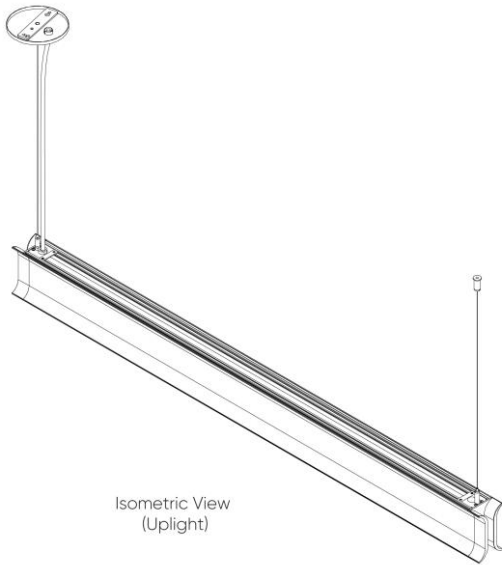
CRI(Ra)	91
CRI(R9)	53
TM30(Rf)	90
TM30(Rg)	99
Duv	-0.0007

CCT 4000K

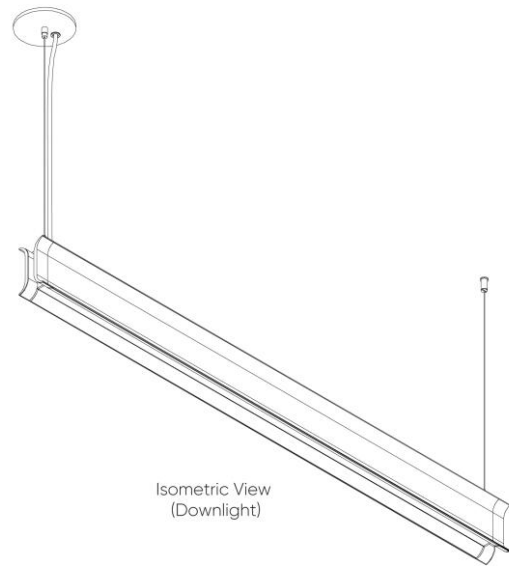


CRI(Ra)	93
CRI(R9)	64
TM30(Rf)	90
TM30(Rg)	98
Duv	0.0000

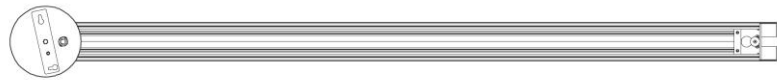
10 DIMENSIONAL DIAGRAMS



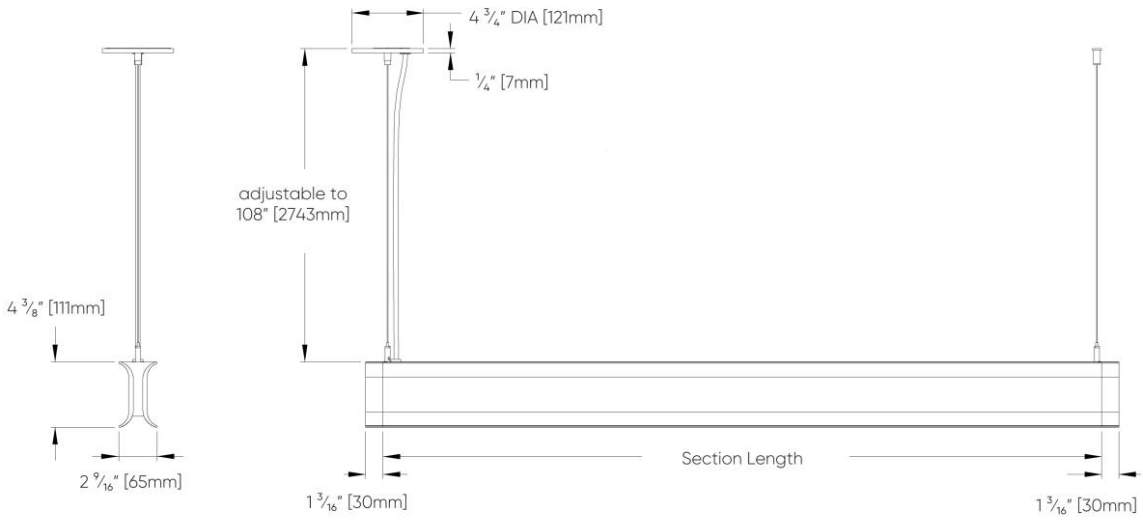
Isometric View
(Uplight)



Isometric View
(Downlight)



Top View (Uplight)



Bottom View (Downlight)