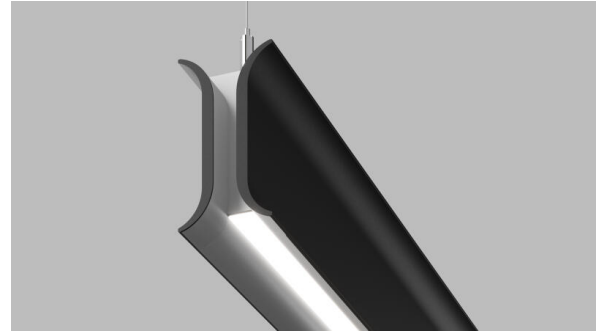




# MICRO FLARE™

## SHORT SPECIFICATION SHEET



Fixture Type

Fixture Code

Quantities

### 1 DESCRIPTION

**MICRO FLARE** is about elegance and allure. Two splayed panels reveal an inner trim that creates the perception of a duplex material. The regressed end cap adds a fourth dimension to the seriffed profile and draws out the inner finish as a color accent. **MICRO FLARE** is perfect for interiors that call for textures and duotones. With a UGR <19, the LEDs are perfectly pitched to optimize light performance and visual light diffusion so that the inner trim is accentuated, not washed out. **MICRO FLARE** is a stylish expression of the performance light concept suitable for projects where aesthetics and function go hand in hand.

### 2 MOUNTING & OPTICS



Suspended  
Direct/Indirect



Direct DD3



Indirect UD1



Indirect UD3



Declare



PoE

### 3 APPROVALS



### 4 GENERAL SPECIFICATION

#### BODY

Aluminum.

#### FINISH

Powder coated.

#### **SUSPENSION**

Steel cables.

#### **POE**

Can be integrated into your data network via Power over Ethernet (PoE) connectivity.

#### **MECHANICAL**

Luminaires mount directly over J box (by others).

#### **INTEGRAL EMERGENCY SYSTEM**

Emergency option provides a 1.5 hour (3 hours for EU) emergency lighting facility. The self contained system includes the inverter module, NiCad batteries, LED charge indicator and test switch (NA only). Not available with a 347V supply.

#### **SENSORS**

Compatible with Avi-On, Casambi, Enlighted, Lutron Vive, nLight, NX Lighting Controls, Osram, Philips, and others. Consult factory.

#### **APPROVALS**

Damp Rated.

#### **DESIGN**

US Design Patent Pending.

#### **POWER CABLE**

Silver braided.

#### **DRIVERS**

HPF electronic drivers for 120-277V, 347 (EU-240V). The driver is integral to the fixture housing.

#### **DIFFUSER**

Opal acrylic.

#### **REPORTED L70 @25°C (77°F)**

> 60,000 hrs @ 1800 lumens/ft (5900 lumens/m)

#### **Estimated L70 @25°C (77°F)**

> 165,000 hrs @ 1800 lumens/ft (5900 lumens/m)

#### **DELIVERED LUMENS**

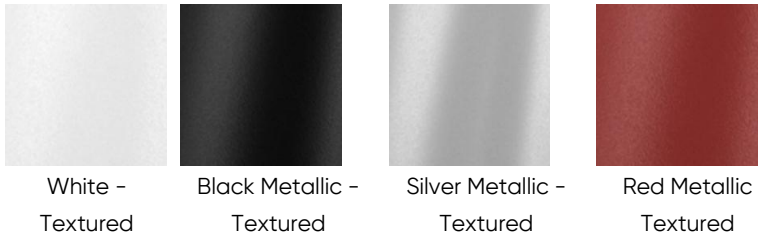
Delivered lumens & LPW based on 4000K CRI 90+

#### **DESIGNED BY**

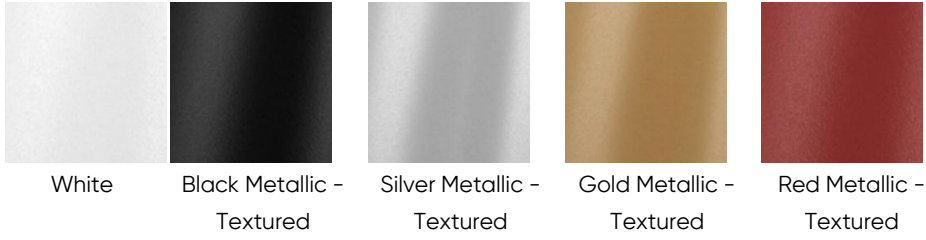
Serge Cornelissen.

**5 DESIGN OPTIONS**

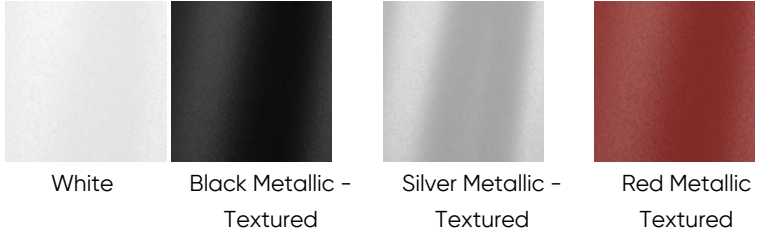
**FIXTURE FINISH**



**INSIDE PANEL FINISH**



**CANOPY FINISH**



**6 HOW TO ORDER**

**A. LUMINAIRE**

**MFLR1P** Direct                      **MFLR2P** Direct/Indirect

All data based on max values, consult Performance Data download for more details.  
One power cord for every 50 linear feet.

**B. LENGTH OF RUN**

SFA\_ \_ \_ \_

Order in 2ft increments starting at 4ft

**C. MAX LENGTH PER SECTION**

<b>SL04</b> 4ft	<b>SL06</b> 6ft	<b>SL08</b> 8ft	<b>SL10</b> 10ft
<b>SL12</b> 12ft			

You can select the preferred maximum length per segment, to account for transportation and building constraints. Example: If a 40ft run is required and SL12 (3658mm) is selected, we would provide 4 3048mm segments. For special requirements, please contact [sales@betacalco.com](mailto:sales@betacalco.com).

\* Total length = length of run + 2.35in

**D. LM/FT (DIRECT)**

<b>LPF010</b> 100 lm/ft	<b>LPF020</b> 200 lm/ft	<b>LPF030</b> 300 lm/ft	<b>LPF040</b> 400 lm/ft
-------------------------	-------------------------	-------------------------	-------------------------

**E. LM/FT (INDIRECT)**

<b>LPG000</b> Not required	<b>LPG020</b> 200 lm/ft	<b>LPG040</b> 400 lm/ft	<b>LPG060</b> 600 lm/ft
<b>LPG080</b> 800 lm/ft	<b>LPG100</b> 1000 lm/ft	<b>LPG120</b> 1200 lm/ft	<b>LPG140</b> 1400 lm/ft

**F. CRI**

**CR90** CRI 90+

**G. CCT**

<b>CTA27</b> 2700K	<b>CTA30</b> 3000K	<b>CTA35</b> 3500K	<b>CTA40</b> 4000K
--------------------	--------------------	--------------------	--------------------

**H. DIRECT DIFFUSER**

**DD3** Diffused Light Diffuser

**I. UPLIGHT DIFFUSER**

<b>UD0</b> Not required	<b>UD1</b> Clear diffuser (Batwing distribution)	<b>UD3</b> Asymmetric diffuser <sup>1</sup>
-------------------------	--	---

<sup>1</sup> Available up to 1000 lms/ft.

**J. UPLIGHT BLACKOUT PLATE**

<b>UB00</b> Not required	<b>UB_ _</b> Blackout plate <sup>1</sup>
--------------------------	--

<sup>1</sup> Available on a per foot basis. May be required to prevent lighting up of duct work in loft style applications.

## K. VOLTAGE

**V1** 120/277V                      **V2** 240V <sup>1</sup>                      **V3** 347V <sup>2</sup>                      **V4** Low Voltage <sup>3</sup>

---

<sup>1</sup> Not available in North America.

<sup>2</sup> Only available with DA01 dimming.

<sup>3</sup> Only available with DA45 dimming.

## L. DIMMING

**DA01** 0–10V Dimming 1.0%                      **DA02** 0–10V Dimming 0.1% <sup>1</sup>                      **DA20** DALI Dimming 0.1% <sup>1</sup>                      **DA21** DALI Dimming 1.0% <sup>1</sup>  
**DA30** DSI/switchDim <sup>2</sup>                      **DA45** PoE <sup>3</sup>

---

<sup>1</sup> Not available with V3.

<sup>2</sup> Not available in North America.

<sup>3</sup> Only available with V4.

## M. CEILING TYPE

**G1** Grid ceiling <sup>1</sup>                      **H1** Hard ceiling <sup>2</sup>

---

<sup>1</sup> Combo kit includes installation to T-bar and through tile mount.

<sup>2</sup> Designed for drywall ceilings.

## N. SUSPENSION

**HLA03** 3ft cable suspension                      **HLA06** 6ft cable suspension                      **HLA09** 9ft cable suspension

## O. FIXTURE FINISH

**FA01** White – Textured                      **FA02** Black Metallic – Textured                      **FA20** Silver Metallic – Textured                      **FA53** Red Metallic Textured

## P. INSIDE TRIM FINISH

**FB01** White                      **FB02** Black Metallic – Textured                      **FB20** Silver Metallic – Textured                      **FB25** Gold Metallic – Textured  
**FB53** Red Metallic – Textured

## Q. CANOPY FINISH

**CF01** White                      **CF02** Black Metallic – Textured                      **CF20** Silver Metallic – Textured                      **CF53** Red Metallic Textured

**R. EMERGENCY**

**E0** Not required                      **E2** Emergency system - Remote <sup>1</sup> **E3** Emergency generated circuit <sup>2</sup>

<sup>1</sup> Only available with 0-10V 1% dimming. An extra power cord will be supplied to each section of the fixture when ordering emergency.

<sup>2</sup> Available upon request, consult factory for details. Not available with 347V.

**S. CIRCUITS**

**CS1** Single circuit                      **CS2** Dual circuit <sup>1</sup>

**T. SENSORS**

**7 TECHNICAL DATA**

**LUMINAIRE**

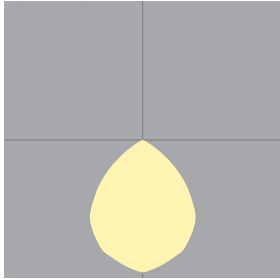
All data based on max values, consult Performance Data download for more details.

One power cord for every 50 linear feet.

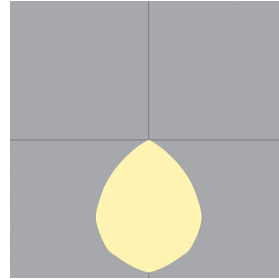
Code	MFLR1P	MFLR2P
Light Direction	Direct	Direct/Indirect
Lms/Ft Direct	400	400
Lms/ft Indirect		1400
Watts/Ft Direct	5	5
Watts/Ft Indirect		12
LPW Direct	109	109
LPW Indirect		144

**8 PERFORMANCE DATA**

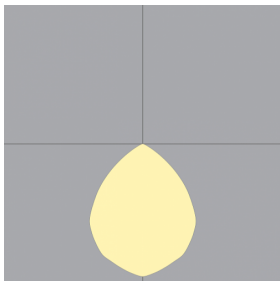
**INSIDE PANEL DIRECT  
(WHITE/SILVER METALLIC  
TEXTURED)**

	LUMEN/FT	WATT/FT	LPW
	400	5	94
	300	4	97
	200	2	101
	100	1	109

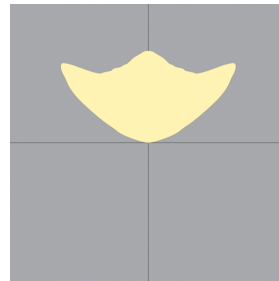
**INSIDE PANEL DIRECT  
(BLACK METALLIC  
TEXTURED)**

	LUMEN/FT	WATT/FT	LPW
	400	5	82
	300	4	84
	200	2	87
	100	1	94

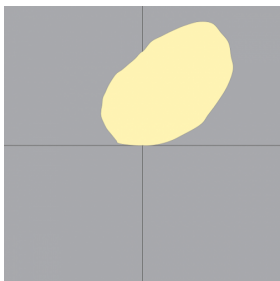
**INSIDE PANEL DIRECT (GOLD  
METALLIC/RED METALLIC  
TEXTURED)**

	LUMEN/FT	WATT/FT	LPW
	400	5	89
	300	4	91
	200	2	95
	100	1	103

**INDIRECT BATWING (UD1)**

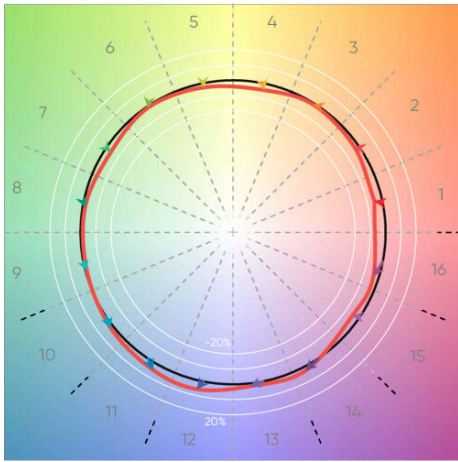
	LUMEN/FT	WATT/FT	LPW
	1400	12	116
	1200	10	119
	1000	8	122
	800	6	127
	600	5	131
	400	3	137
	200	2	144

**INDIRECT ASYMMETRIC  
(UD3)**

	LUMEN/FT	WATT/FT	LPW
	1000	12	82
	800	10	85
	600	6	89
	400	5	92
	200	2	96

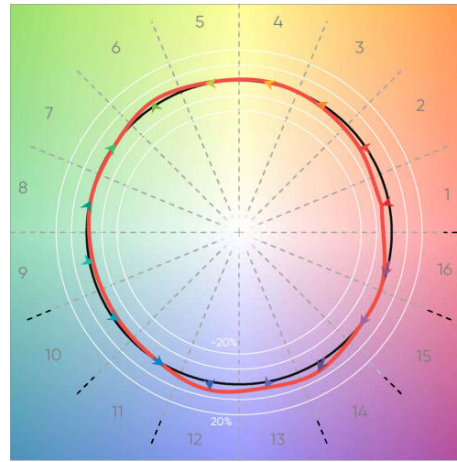
9 TM-30 DATA

**CCT 2700K**



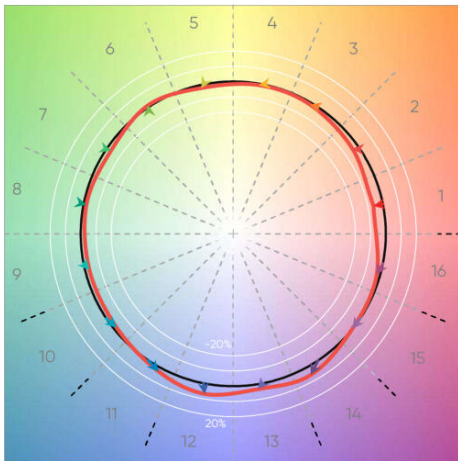
<b>CRI(Ra)</b>	93
<b>CRI(R9)</b>	61
<b>TM30(Rf)</b>	91
<b>TM30(Rg)</b>	98
<b>Duv</b>	-0.0022

**CCT 3000K**



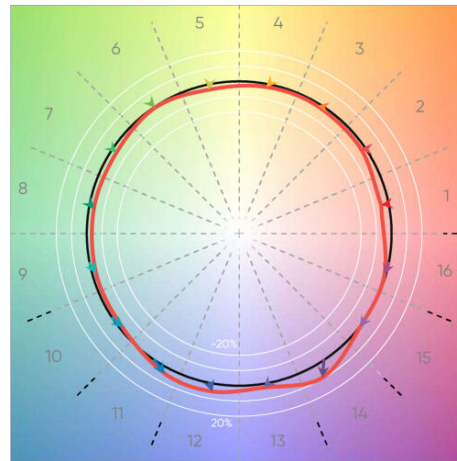
<b>CRI(Ra)</b>	92
<b>CRI(R9)</b>	58
<b>TM30(Rf)</b>	92
<b>TM30(Rg)</b>	100
<b>Duv</b>	-0.0003

**CCT 3500K**



<b>CRI(Ra)</b>	91
<b>CRI(R9)</b>	53
<b>TM30(Rf)</b>	90
<b>TM30(Rg)</b>	99
<b>Duv</b>	-0.0007

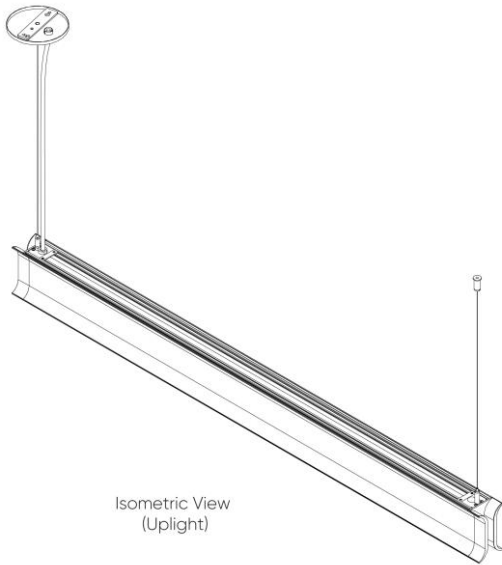
**CCT 4000K**



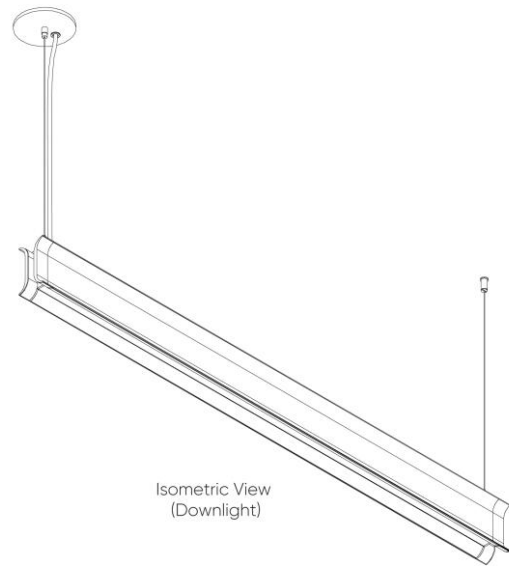
<b>CRI(Ra)</b>	93
<b>CRI(R9)</b>	64
<b>TM30(Rf)</b>	90
<b>TM30(Rg)</b>	98
<b>Duv</b>	0.0000



**10** DIMENSIONAL DIAGRAMS



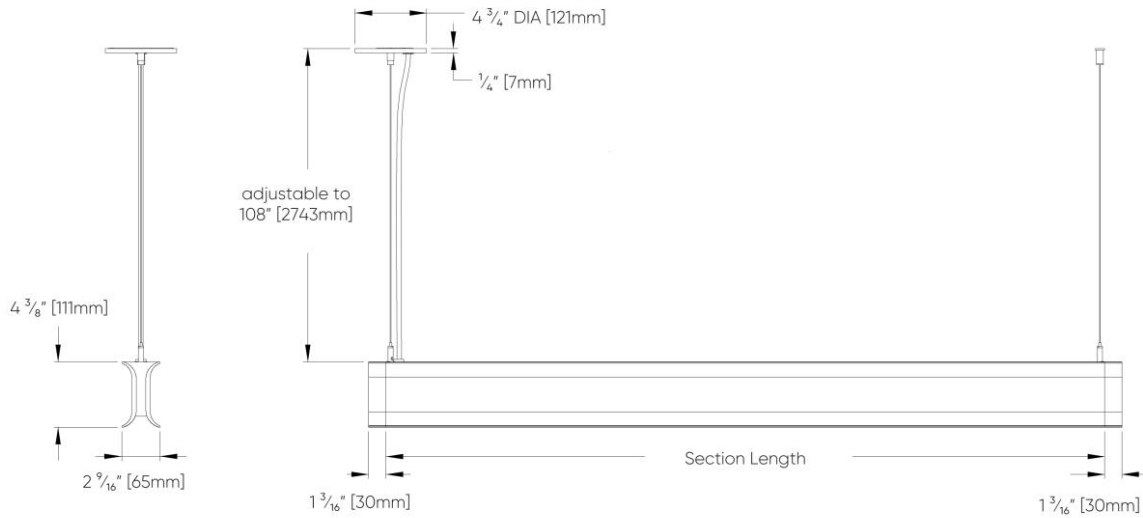
Isometric View  
(Uplight)



Isometric View  
(Downlight)



Top View (Uplight)



Bottom View (Downlight)