

# MICRO QUAD DE™ - SUSPENDED

Project Name:

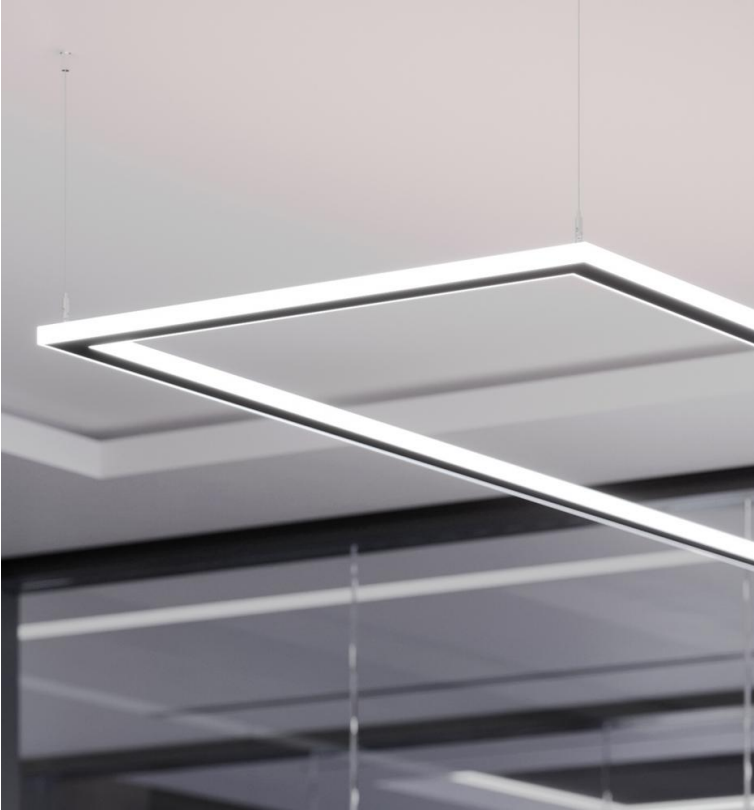
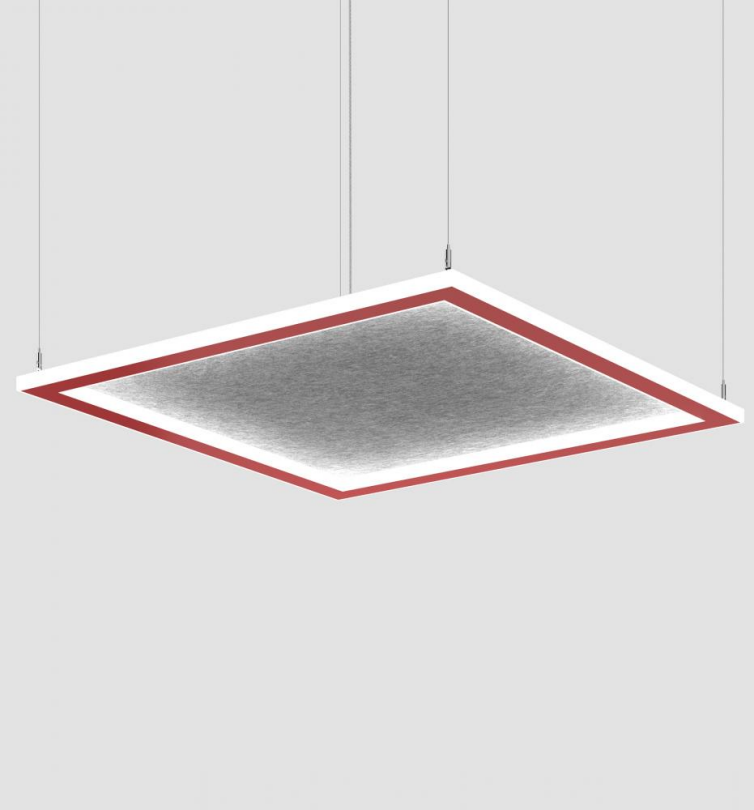
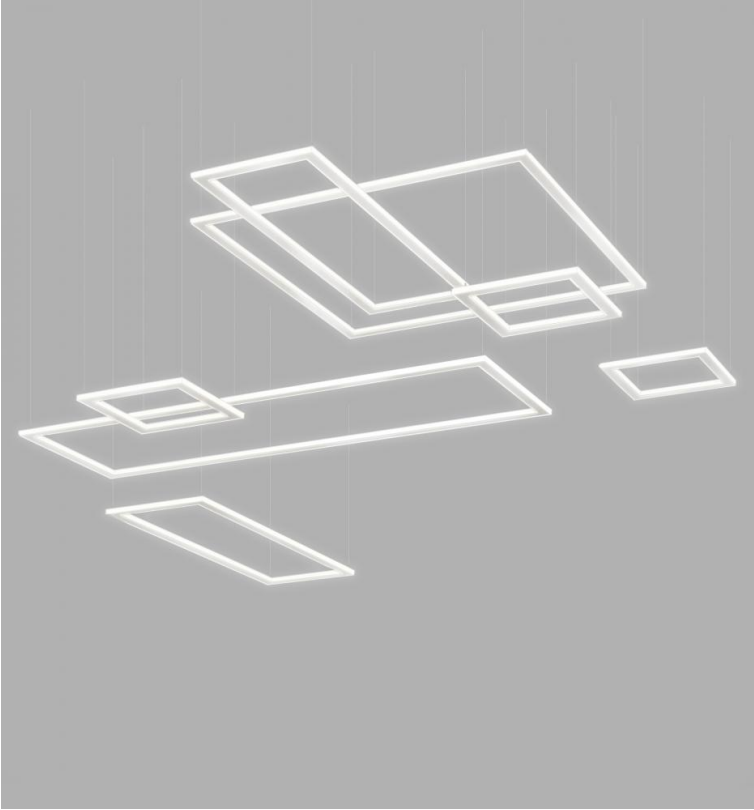
Fixture Type:

Fixture Code:

Quantities:



# MICRO QUAD DE™ - SUSPENDED



# MICRO QUAD DE™ - SUSPENDED

The straight lines and right angles of the rectangle add a balanced and grounded feel to a space. With a super-slim 1" profile and several quadrilaterals ranging from 2' to 7' squared, **MICRO QUAD DE** is ideal for creating and complementing grid effects or for creating sizable multi-tiered arrangements. The light emits from the inner and outer sides of the frame and can be coordinated with MICRO QUAD II which emits direct and indirect light. For sound comfort, MICRO QUAD DE is available with an acoustic panel designed to absorb echo and reverberation associated with open-concept spaces, exposed concrete, open ceilings, and large windows. With the light emitting from the inner side, the acoustic panel is illuminated, creating another decorative dimension. For a whimsical style, combine MICRO QUAD with MICRO RING or MICRO TRIANGLE.

## GENERAL SPECIFICATION

### Body

Aluminum.

### Finish

Powder coated.

### Suspension

Stainless steel cables.

### Power cable

Silver braided.

### Remote Mounting Of Drivers

Wire size 18 AWG - max distance (from fixture to drivers) 40', wire size 16 AWG - max distance 60', wire size 14 AWG - max distance 90'. Drivers must be accessible after installation.

### Drivers

HPF electronic drivers for 120-277V (EU-240V). Drivers are either remote mounted or integral to the canopy depending on the size of the fixture.

### PoE

Micro Quad DE can integrate into your data network via Power over Ethernet (PoE) connectivity.

### Mechanical

Luminaires attached directly to the J box (by others - North America only).

### Diffusers

Frosted acrylic. Lens protrudes 4.8mm/0.19".

### Reported L70 @25°C (77°F)

> 60,000 hrs.

### Delivered Lumens

Delivered lumens & LPW based on 4000K (min 80 CRI) for White LEDs only.

### Sensors

Consult factory regarding sensor compatibility.

### Acoustic Panels NRC Rating

0.80.

### Acoustic Panels Class A Fire Rating

ASTM E-84 material.

### Acoustic Panels Material

100% recycled polyester fiber (PET).

### Acoustic Panels Thickness

12mm (0.5").

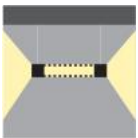
### CRI

Fixture supplied at 80 CRI, 90 CRI available upon request.

### Approvals

Damp Rated.

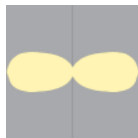
## MOUNTING & OPTICS



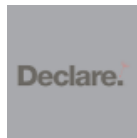
Suspended Inside/Outside



Acoustic



General Diffuse



Declare



PoE

# MICRO QUAD DE™ - SUSPENDED

## HOW TO ORDER

### A. LUMINAIRE LENGTH

**982410** 25", 3346 lms

**982420** 36", 5018 lms

**982430** 48", 6690 lms

**982440** 60", 8364 lms

**982450** 72", 10036 lms

**982460** 84", 11708 lms

Calculate total lumens and wattage by adding the Length lumens to the Width lumens. For example: 36' length + 48' width = 5018 + 6690 = 11708 total lumens.

### B. WIDTH

**W25** 25", 3346 lms

**W36** 36", 5018 lms

**W48** 48", 6690 lms

**W60** 60", 8364 lms

**W72** 72", 10036 lms

**W84** 84", 11708 lms

### C. CCT/COLOR (OUTSIDE)

**T27** 2700K (min 80 CRI) <sup>1</sup>

**T30** 3000K (min 80 CRI)

**T35** 3500K (min 80 CRI)

**T40** 4000K (min 80 CRI)

**TRD** Red

**TGN** Green

**TBL** Blue

CR90 (CRI 90+) available upon request, consult factory.

<sup>1</sup> Longer than normal lead times may apply, consult factory.

### D. CCT/COLOR (INSIDE)

**S27** 2700K (min 80 CRI) <sup>1</sup>

**S30** 3000K (min 80 CRI)

**S35** 3500K (min 80 CRI)

**S40** 4000K (min 80 CRI)

**SRD** Red

**SGN** Green

**SBL** Blue

CR90 (CRI 90+) available upon request, consult factory.

<sup>1</sup> Longer than normal lead times may apply, consult factory.

### E. SUSPENSION

**S1** Vertical, Remote Driver

**S3** Vertical, Driver Integral to Canopy

#### **S3 suspension cannot be used under the following conditions:**

982440 with W60

982450 with W48 or W60

982460 with W36 or W48

### F. DIMMING (REMOTE ONLY)

**D1** 0-10V Dimming 1.0%

**D4** DALI Dimming 0.1%

**D5** DALI Dimming 1.0%

**DA45** PoE

D4 & D5 not available with 982450 or 982460.

D4 & D5, combined with 982430 & 982440 are available with S1 suspension only.

DA45 must be used with EV only.

### G. FINISH

**WH** White

**BL** Black Metallic Textured

**MS** Silver Metallic Textured

**FA25** Gold Metallic - Textured

**FA44** Midnight Blue Metallic - Textured

**FA45** Copper Metallic

**FA46** Charcoal Metallic - Textured

**FA47** Bronze Metallic - Textured

**FA52** Champagne Metallic

**FA53** Red Metallic - Textured

### H. LUMEN & WATTAGE REDUCTION

**PRO** Lumen & Wattage Reduction to approximately 25% of standard output

**PR1** Lumen & Wattage Reduction to approximately 50% of standard output

**PR2** Lumen & Wattage Reduction to approximately 75% of standard output

PRO is not available with 982410. Custom reduction percentages available upon request.



# MICRO QUAD DE™ - SUSPENDED

## I. ACOUSTIC PANEL COLOR

**AP00** Not required  
**AP11** Light Gray

**AP04** White  
**AP26** Sesame Gray

**AP13** Apple Green  
**AP27** Black

**AP22** Blue

---

Available up to 84" length x 48" width max. Acoustic panels available in larger sizes have visible seams. Consult factory. Volume Discounts are available on all acoustic products, contact the factory for a quote. For accompanying non-illuminating acoustic panels see our Acoustic Circles, Quads and Triangles spec pages. Other finishes available. Consult factory.

## J. OPTIONAL LOW VOLTAGE

**EV** Low Voltage

---

To be used with DA45 only.



# MICRO QUAD DE™ - SUSPENDED

## TECHNICAL DATA

### LUMINAIRE

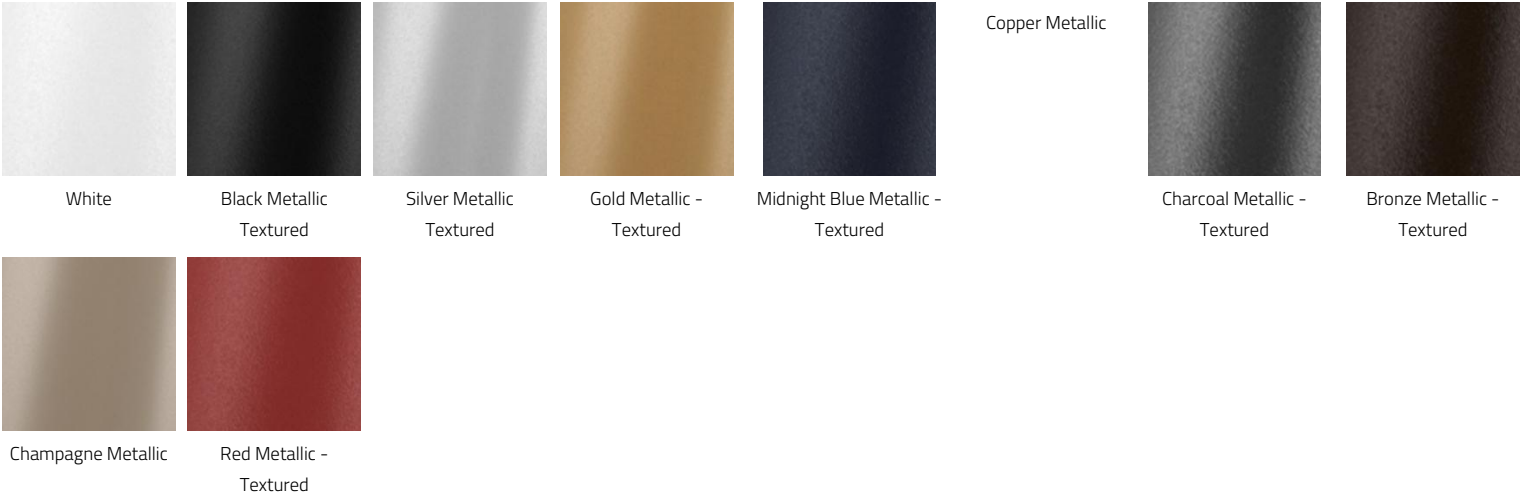
Calculate total lumens and wattage by adding the Length lumens to the Width lumens. For example: 36' length + 48' width = 5018 + 6690 = 11708 total lumens.

| Code                   | 982410 | 982420 | 982430 | 982440 | 982450 | 982460 |
|------------------------|--------|--------|--------|--------|--------|--------|
| Length                 | 25"    | 36"    | 48"    | 60"    | 72"    | 84"    |
| Power (LED)            | 27W    | 40W    | 53W    | 66W    | 80W    | 93W    |
| Delivered lms (Length) | 3346   | 5018   | 6690   | 8364   | 10036  | 11708  |
| LPW                    | 126    | 125    | 126    | 126    | 125    | 126    |

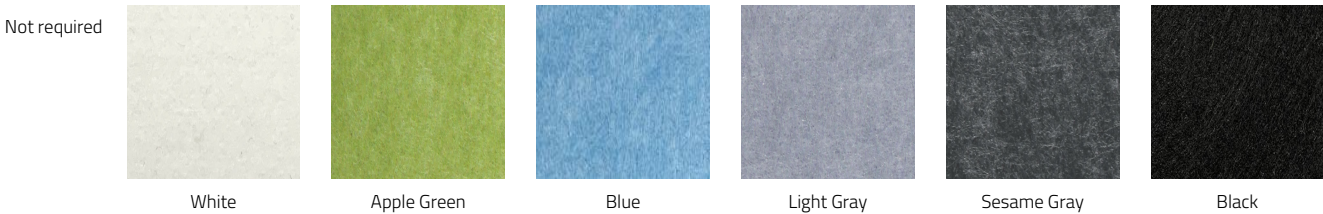
### WIDTH

| Code                  | W25  | W36  | W48  | W60  | W72   | W84   |
|-----------------------|------|------|------|------|-------|-------|
| Width                 | 25"  | 36"  | 48"  | 60"  | 72"   | 84"   |
| Power (LED)           | 27W  | 40W  | 53W  | 66W  | 80W   | 93W   |
| Delivered lms (Width) | 3346 | 5018 | 6690 | 8364 | 10036 | 11708 |
| LPW                   | 126  | 125  | 126  | 126  | 125   | 126   |

### FINISH



### ACOUSTIC PANEL COLOR



Available up to 84" length x 48" width max. Acoustic panels available in larger sizes have visible seams. Consult factory.

Volume Discounts are available on all acoustic products, contact the factory for a quote.

For accompanying non-illuminating acoustic panels see our Acoustic Circles, Quads and Triangles spec pages.

Other finishes available. Consult factory.

# MICRO QUAD DE™ - SUSPENDED

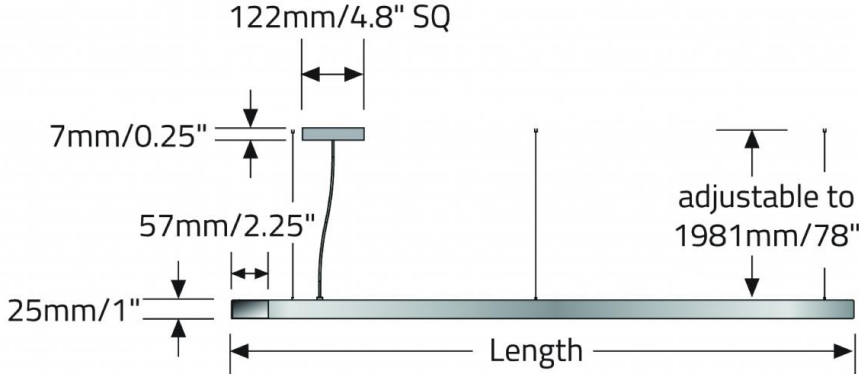
## APPROVALS



# MICRO QUAD DE™ - SUSPENDED

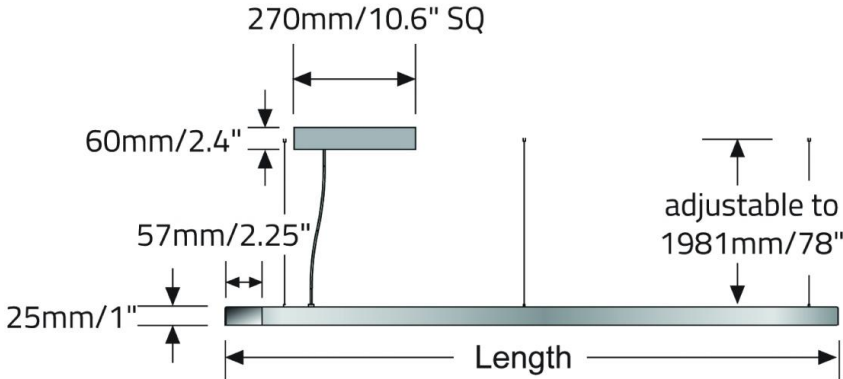
## DIMENSIONAL DIAGRAMS

### S1 VERTICAL - REMOTE DRIVER



**Note:** The diffuser protrudes by 4.8mm/0.19"

### S3 VERTICAL - INTEGRAL DRIVER

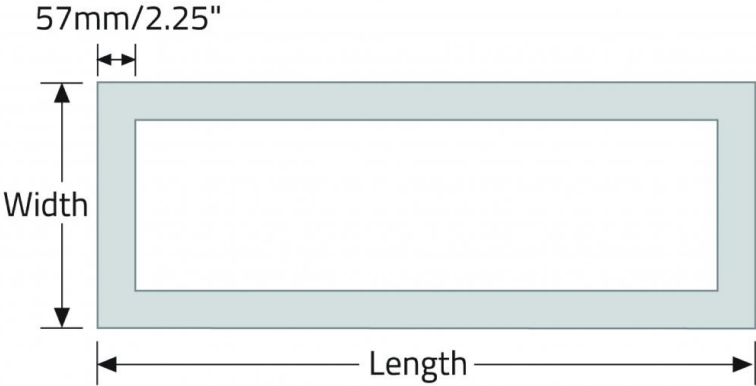


**Canopy:** 305mm/12" SQ (for a total of 107W combined for direct/Indirect)

**Note:** The diffuser protrudes by 4.8mm/0.19"



# MICRO QUAD DE™ - SUSPENDED



**Note:** The diffuser protrudes by 4.8mm/0.19"