

# MICRO QUAD DE™ - SUSPENDED



Project Name:

Fixture Type:

Fixture Code:

Quantities:

## A. LUMINAIRE LENGTH

**982410** 25", 3346 lms

**982420** 36", 5018 lms

**982430** 48", 6690 lms

**982440** 60", 8364 lms

**982450** 72", 10036 lms

**982460** 84", 11708 lms

Calculate total lumens and wattage by adding the Length lumens to the Width lumens. For example: 36" length + 48" width = 5018 + 6690 = 11708 total lumens.

## B. WIDTH

**W25** 25", 3346 lms

**W36** 36", 5018 lms

**W48** 48", 6690 lms

**W60** 60", 8364 lms

**W72** 72", 10036 lms

**W84** 84", 11708 lms

## C. CCT/COLOR (OUTSIDE)

**T27** 2700K (min 80 CRI) <sup>1</sup>

**T30** 3000K (min 80 CRI)

**T35** 3500K (min 80 CRI)

**T40** 4000K (min 80 CRI)

**TRD** Red

**TGN** Green

**TBL** Blue

CR90 (CRI 90+) available upon request, consult factory.

<sup>1</sup> Longer than normal lead times may apply, consult factory.

## D. CCT/COLOR (INSIDE)

**S27** 2700K (min 80 CRI) <sup>1</sup>

**S30** 3000K (min 80 CRI)

**S35** 3500K (min 80 CRI)

**S40** 4000K (min 80 CRI)

**SRD** Red

**SGN** Green

**SBL** Blue

CR90 (CRI 90+) available upon request, consult factory.

<sup>1</sup> Longer than normal lead times may apply, consult factory.

## E. SUSPENSION

**S1** Vertical, Remote Driver

**S3** Vertical, Driver Integral to Canopy

**S3 suspension cannot be used under the following conditions:**

982440 with W60

982450 with W48 or W60

982460 with W36 or W48

## F. DIMMING (REMOTE ONLY)

**D1** 0-10V Dimming 1.0%

**D4** DALI Dimming 0.1%

**D5** DALI Dimming 1.0%

**DA45** PoE

D4 & D5 not available with 982450 or 982460.

D4 & D5, combined with 982430 & 982440 are available with S1 suspension only.

DA45 must be used with EV only.

## G. FINISH

**WH** White

**BL** Black Metallic Textured

**MS** Silver Metallic Textured

**FA25** Gold Metallic - Textured

**FA44** Midnight Blue Metallic - Textured

**FA45** Copper Metallic

**FA46** Charcoal Metallic - Textured

**FA47** Bronze Metallic - Textured

**FA52** Champagne Metallic

**FA53** Red Metallic - Textured



# MICRO QUAD DE™ - SUSPENDED

## H. LUMEN & WATTAGE REDUCTION

**PRO** Lumen & Wattage Reduction to approximately 25% of standard output

**PR1** Lumen & Wattage Reduction to approximately 50% of standard output

**PR2** Lumen & Wattage Reduction to approximately 75% of standard output

---

*PRO is not available with 9824.10. Custom reduction percentages available upon request.*

## I. ACOUSTIC PANEL COLOR

**AP00** Not required

**AP04** White

**AP13** Apple Green

**AP22** Blue

**AP11** Light Gray

**AP26** Sesame Gray

**AP27** Black

---

Available up to 84" length x 48" width max. Acoustic panels available in larger sizes have visible seams. Consult factory.

Volume Discounts are available on all acoustic products, contact the factory for a quote.

For accompanying non-illuminating acoustic panels see our Acoustic Circles, Quads and Triangles spec pages.

Other finishes available. Consult factory.

## J. OPTIONAL LOW VOLTAGE

**EV** Low Voltage

---

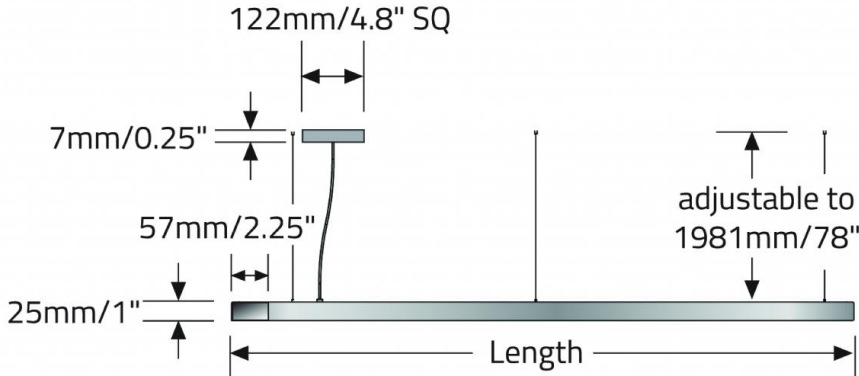
To be used with DA45 only.



# MICRO QUAD DE™ - SUSPENDED

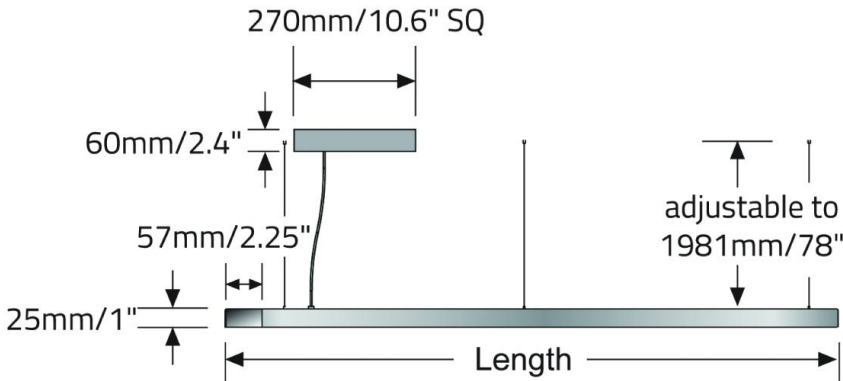
## DIMENSIONAL DIAGRAMS

### S1 VERTICAL - REMOTE DRIVER



**Note:** The diffuser protrudes by 4.8mm/0.19"

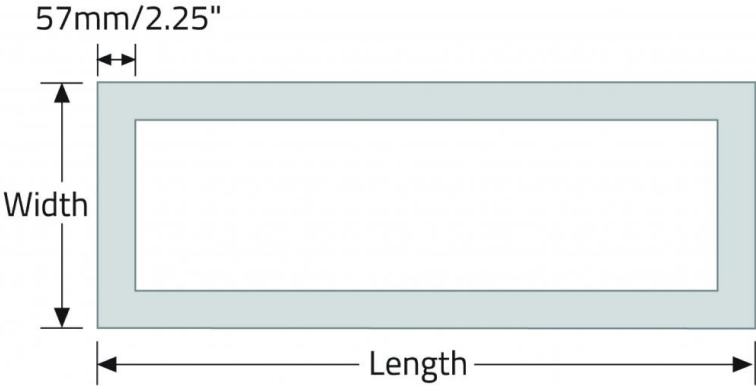
### S3 VERTICAL - INTEGRAL DRIVER



**Canopy:** 305mm/12" SQ (for a total of 107W combined for direct/Indirect)

**Note:** The diffuser protrudes by 4.8mm/0.19"

# MICRO QUAD DE™ - SUSPENDED



**Note:** The diffuser protrudes by 4.8mm/0.19"