

MICRO QUAD II™ - SUSPENDED



Project Name:

Fixture Type:

Fixture Code:

Quantities:

A. LUMINAIRE LENGTH

| | | | |
|--|--|---|---|
| 983810 24", Direct, 1650 lms | 983820 36", Direct, 2474 lms | 983830 48", Direct, 3300 lms | 983840 60", Direct, 4124 lms |
| 983850 71", Direct, 4948 lms | 983860 83", Direct, 5774 lms | 983910 24", Direct/Indirect, 3356 lms | 983920 36", Direct/Indirect, 5034 lms |
| 983930 48", Direct/Indirect, 6712 lms | 983940 60", Direct/Indirect, 8390 lms | 983950 71", Direct/Indirect, 10068 lms | 983960 83", Direct/Indirect, 11746 lms |

Calculate total lumens and wattage by adding the Length lumens to the Width lumens. For example: direct only 36" length + 48" width = 2474 + 3300 = 5774 total lumens.

B. WIDTH

| | | | |
|---|---|--|--|
| WD24 24", Direct, 1650 lms | WD36 36", Direct, 2474 lms | WD48 48", Direct, 3300 lms | WD60 60", Direct, 4124 lms |
| WD71 71", Direct, 4948 lms | WD83 83", Direct, 5774 lms | WDI24 24", Direct/Indirect, 3356 lms | WDI36 36", Direct/Indirect, 5034 lms |
| WDI48 48", Direct/Indirect, 6712 lms | WDI60 60", Direct/Indirect, 8390 lms | WDI71 71", Direct/Indirect, 10068 lms | WDI83 83", Direct/Indirect, 11746 lms |

C. CCT/COLOR (DIRECT)

| | | | |
|--|-------------------------------|-------------------------------|-------------------------------|
| D27 2700K (min 80 CRI) ¹ | D30 3000K (min 80 CRI) | D35 3500K (min 80 CRI) | D40 4000K (min 80 CRI) |
| DRD Red | DGN Green | DBL Blue | |

CR90 (CRI 90+) available upon request, consult factory.
¹ Longer than normal lead times may apply, consult factory.

D. CCT/COLOR (INDIRECT)

| | | | |
|--|-------------------------------|-------------------------------|-------------------------------|
| N27 2700K (min 80 CRI) ¹ | N30 3000K (min 80 CRI) | N35 3500K (min 80 CRI) | N40 4000K (min 80 CRI) |
| NRD Red | NGN Green | NBL Blue | |

CR90 (CRI 90+) available upon request, consult factory.
¹ Longer than normal lead times may apply, consult factory.

E. SUSPENSION

| | |
|-----------------------------------|---|
| S1 Vertical, Remote Driver | S3 Vertical, Driver Integral to Canopy |
|-----------------------------------|---|

S3 suspension cannot be used under the following conditions:

983840 with WD60
983850 with WD48 or WD60
983860 with WD36 or WD48
983940 with WDI60
983950 with WDI48 or WDI60
983960 with WDI36 or WDI48

F. DIMMING

| | | | |
|------------------------------|-----------------------------|-----------------------------|-----------------|
| D1 0-10V Dimming 1.0% | D4 DALI Dimming 0.1% | D5 DALI Dimming 1.0% | DA45 PoE |
|------------------------------|-----------------------------|-----------------------------|-----------------|

DA45 must be used with EV only.

G. FINISH

| | | | |
|---|-------------------------------------|--|--|
| WH White | BL Black Metallic Textured | MS Silver Metallic Textured | FA25 Gold Metallic - Textured |
| FA44 Midnight Blue Metallic - Textured | FA45 Copper Metallic | FA46 Charcoal Metallic - Textured | FA47 Bronze Metallic - Textured |
| FA52 Champagne Metallic | FA53 Red Metallic - Textured | | |



MICRO QUAD II™ - SUSPENDED

H. LUMEN & WATTAGE REDUCTION

PR1 Lumen & Wattage Reduction to approximately 50% of standard output

PR2 Lumen & Wattage Reduction to approximately 75% of standard output

PR1 not available with 983810. Custom reduction percentages available upon request.

I. ACOUSTIC PANEL COLOR

AP00 Not required

AP04 White

AP13 Apple Green

AP22 Blue

AP11 Light Gray

AP26 Sesame Gray

AP27 Black

Available up to 48" Sq or 83" length by 48" width. Larger sizes available with visible seams - consult factory.

Volume Discounts are available on all acoustic products, contact the factory for a quote.

For accompanying non-illuminating acoustic panels see our Acoustic Circles, Quads and Triangles spec pages.

Other finishes available. Consult factory.

J. OPTIONAL LOW VOLTAGE

EV Low Voltage

To be used with DA45 only.

K. CIRCUITS

CS1 Single circuit

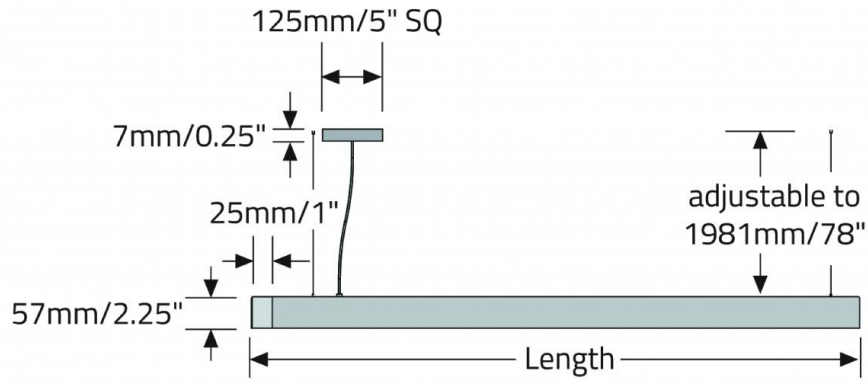
CS2 Dual circuit



MICRO QUAD II™ - SUSPENDED

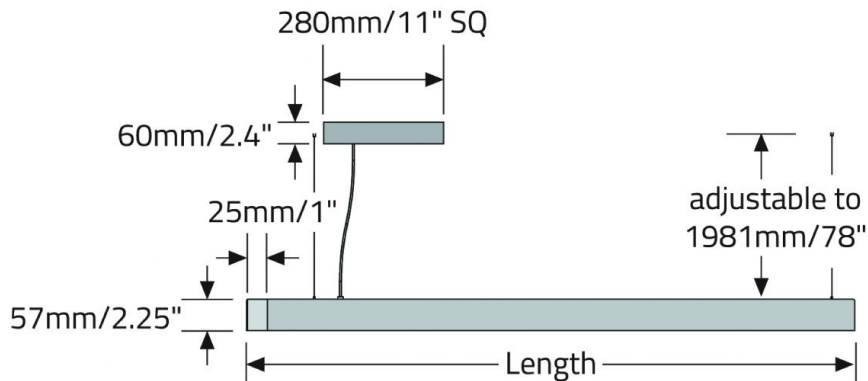
DIMENSIONAL DIAGRAMS

S1 VERTICAL - REMOTE DRIVER



Note: The diffuser protrudes by 4.8mm/0.19"

S3 VERTICAL - INTEGRAL DRIVER



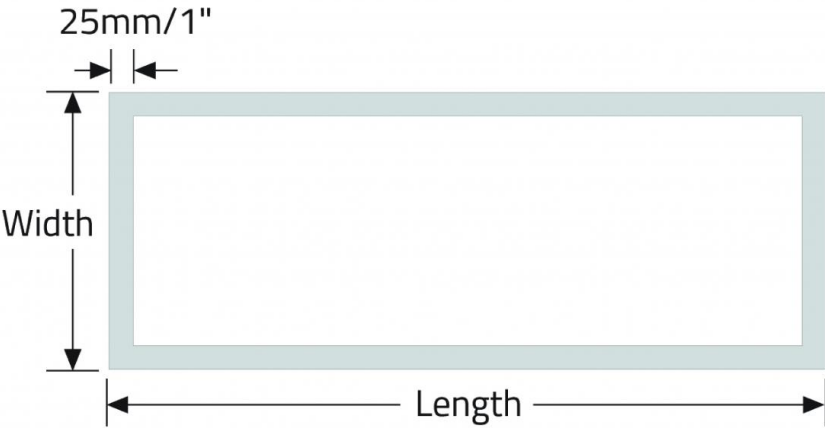
Direct/Indirect: Available upto 1168mm/46" sq only.

Canopy: 305mm/12" SQ (for a total of 107W combined for direct/Indirect)

Note: The diffuser protrudes by 4.8mm/0.19"



MICRO QUAD II™ - SUSPENDED



Note: The diffuser protrudes by 4.8mm/0.19"