

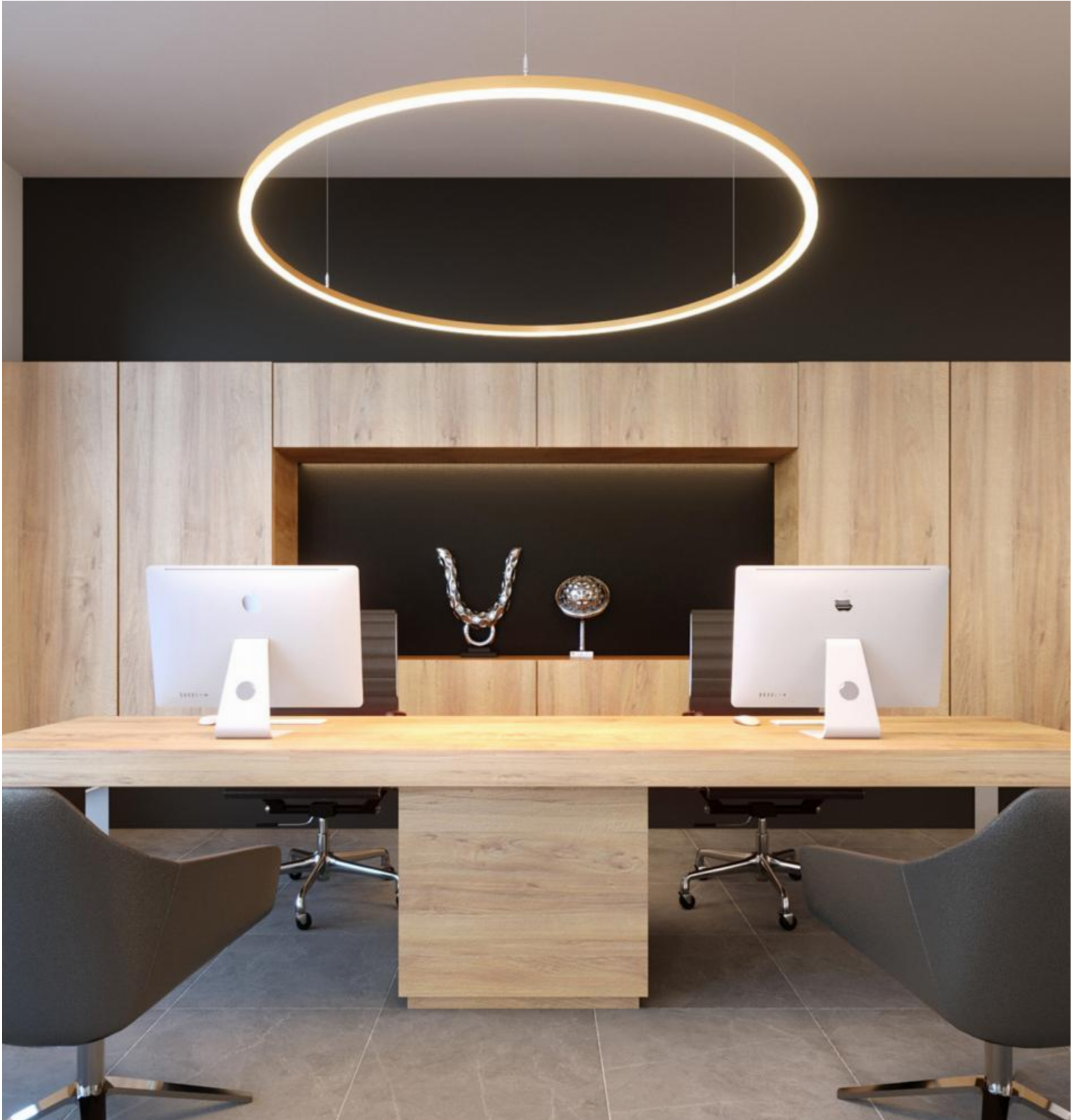
# MICRO RING DIRECT™ - SUSPENDED

Project Name:

Fixture Type:

Fixture Code:

Quantities:



# MICRO RING DIRECT™ - SUSPENDED



# MICRO RING DIRECT™ - SUSPENDED

**MICRO RING DIRECT** sets a new performance benchmark in decorative rings, boasting a best-in-class lumen efficacy of 104 LPW. This performance is not just about brightness but about the quality of light. Its high-efficiency, flexible diffuser snugly fits the frame, eliminating any light leakage while ensuring a uniform and seamless diffusion of light. The slim design of **MICRO RING DIRECT**, available in 6 diameters ranging from 2 feet to 7 feet, makes it ideal for crafting grand, multi-tiered circular installations. This versatile ring is part of the larger MICRO RING family, which includes five additional light emission options for layered lighting effects. Whether used as a solitary statement piece or in a composition, **MICRO RING DIRECT's** impact is undeniable. Moreover, **MICRO RING DIRECT** addresses acoustic needs with an optional acoustic panel for sizes up to 4 feet in diameter. These panels are specifically designed to reduce echo and reverberation commonly found in modern open-plan spaces, areas with exposed concrete, open ceilings, and rooms with large windows. For a touch of whimsy and creative flair, MICRO RING can be combined with other shapes like MICRO TRIANGLE or MICRO QUAD, adding a dynamic and playful dimension to any space.

## GENERAL SPECIFICATION

### Body and trim

Aluminum.

### Suspension

Steel cables.

### Remote Emergency

Emergency option provides a 1.5 hour (3 hours for EU) emergency lighting facility. The remote system includes the inverter module, NiCad batteries and a remote wall/ceiling LED charge indicator and test switch (NA only) Maximum distance between wall/ceiling plate and luminaire is 15' (4.5m). Test switch fits a single gang box (not supplied).

### Mechanical

Luminaires mount directly over J box (by others - North America only).

### Acoustic Panels Class A Fire Rating

ASTM E-84 material.

### Acoustic Panels Material

100% recycled polyester fiber (PET).

### Sensors

Consult factory regarding sensor compatibility.

### Delivered Lumens

Delivered lumens & LPW based on 4000K (min 80 CRI).

### Approvals

Damp Rated.

### Finish

Powder coated.

### Power cable

Silver braided.

### Drivers

Remote, HPF electronic drivers for 120-277V (EU-240V) dimming. Wire size 18 AWG - max distance (from fixture to drivers) 40' (12.2m), wire size 16 AWG - max distance 60' (18.3m), wire size 14 AWG - max distance 90' (27.4m). Drivers must be accessible after installation. Drivers are either remote mounted or integral to the canopy depending on the size of the fixture.

### PoE

Integrates into your data network via Power over Ethernet (PoE) connectivity.

### Acoustic Panels NRC Rating

0.80

### Acoustic Panels Thickness

12mm (0.5")

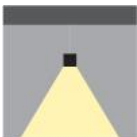
### Diffuser

Protruding Lens 0.08" (2.1mm).

### L70 @25°C

> 60,000 hrs.

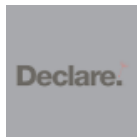
## MOUNTING & OPTICS



Suspended Direct



Acoustic



Declare



PoE



# MICRO RING DIRECT™ - SUSPENDED

## HOW TO ORDER

### A. LUMINAIRE

**MRRP1P02** 2ft, 4700 lms

**MRRP1P03** 3ft, 6900 lms

**MRRP1P04** 4ft, 8800 lms

**MRRP1P05** 5ft, 12900 lms

**MRRP1P06** 6ft, 14100 lms

**MRRP1P07** 7ft, 16800 lms

### B. EFFICIENCY

**EFF1** Standard efficiency <sup>1</sup>

**EFF2** High efficiency <sup>2</sup>

<sup>1</sup> Standard efficiency refers to Standard efficacy.

<sup>2</sup> High efficiency refers to High efficacy. This option is 52% more efficient than Standard efficiency.

### C. LM/FT

**LPF017** 175 lm/ft <sup>1 2</sup>

**LPF026** 260 lm/ft <sup>1 2</sup>

**LPF035** 350 lm/ft <sup>1 2</sup>

**LPF052** 525 lm/ft <sup>2</sup>

**LPF075** 750 lm/ft <sup>2</sup>

<sup>1</sup> Standard efficiency is available from 175 lm/ft to 350 lm/ft.

<sup>2</sup> High efficiency is available from 175 lm/ft to 750 lm/ft.

### D. CRI

**CR80** CRI 80+

**CR90** CRI 90+

### E. CCT

**CTA27** 2700K <sup>1</sup>

**CTA30** 3000K

**CTA35** 3500K

**CTA40** 4000K

<sup>1</sup> Longer than normal lead times may apply, consult factory.

### F. VOLTAGE

**V1** 120/277V

**V2** 240V <sup>1</sup>

**V3** 347V <sup>2</sup>

**V4** Low Voltage <sup>3</sup>

<sup>1</sup> Not available in North America.

<sup>2</sup> Only available with DA01 dimming.

<sup>3</sup> Only available with DA45.

### G. DIMMING (REMOTE)

**DA01** 0-10V Dimming 1.0%

**DA20** DALI Dimming 0.1% <sup>1</sup>

**DA21** DALI Dimming 1.0% <sup>1</sup>

**DA45** PoE <sup>2</sup>

<sup>1</sup> Not available with V3.

<sup>2</sup> Only available with V4.

### H. SUSPENSION

**SS1** Vertical, remote driver

**SS2** Hub, Remote driver <sup>1</sup>

**SS3** Vertical, Driver Integral to Canopy

**SS4** Hub, Driver Integral to Canopy <sup>1</sup>

<sup>1</sup> available up to 60" diameter.

### I. FIXTURE FINISH

**FA01** White

**FA02** Black Metallic - Textured

**FA20** Silver Metallic - Textured

**FA25** Gold Metallic - Textured

**FA44** Midnight Blue Metallic - Textured

**FA45** Copper Metallic

**FA46** Charcoal Metallic - Textured

**FA47** Bronze Metallic - Textured

**FA52** Champagne Metallic

**FA53** Red Metallic - Textured



# MICRO RING DIRECT™ - SUSPENDED

## J. CANOPY FINISH

- CF01** White
- CF02** Black Metallic - Textured
- CF20** Silver Metallic - Textured
- CF25** Gold Metallic - Textured
- CF44** Midnight Blue Metallic - Textured
- CF45** Copper Metallic
- CF46** Charcoal Metallic - Textured
- CF47** Bronze Metallic - Textured
- CF52** Champagne Metallic
- CF53** Red Metallic - Textured

## K. ACOUSTIC PANEL COLOR

- AP00** Not required
- AP04** White
- AP13** Apple Green
- AP22** Blue
- AP11** Light Gray
- AP26** Sesame Gray
- AP27** Black

Available up to 4ft diameter. Larger sizes available with visible seam, consult factory.  
Other finishes available. Consult factory.

## L. EMERGENCY

- E0** Not required
- E2** Emergency system - Remote

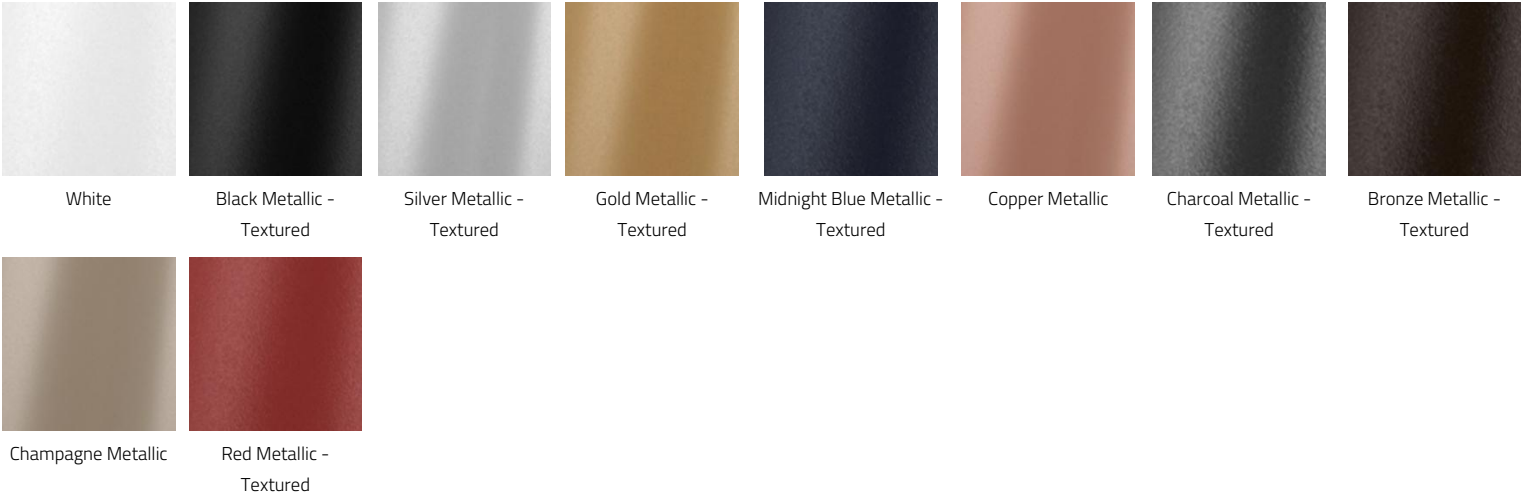
# MICRO RING DIRECT™ - SUSPENDED

## TECHNICAL DATA

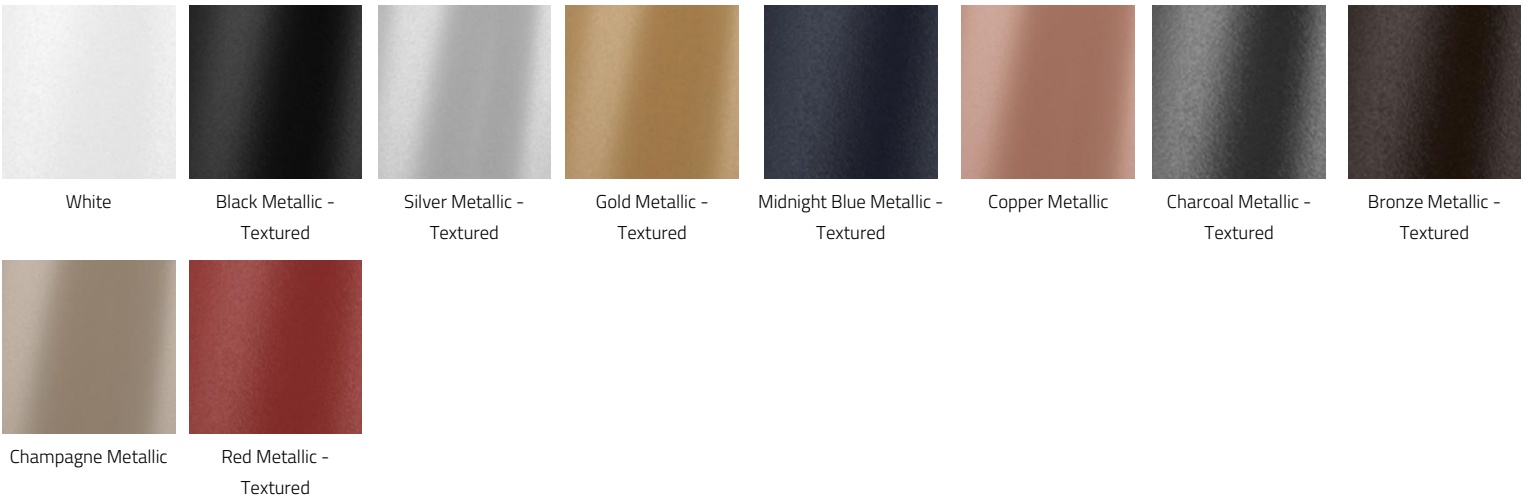
### LUMINAIRE

Code	MRRP1P02	MRRP1P03	MRRP1P04	MRRP1P05	MRRP1P06	MRRP1P07
Diameter (A)	2ft	3ft	4ft	5ft	6ft	7ft
Stan. Eff. Watts Max	32	48	62	84	99	118
Stan. Eff. Del. Lms Max	2200	3200	4200	5600	6600	7900
Stan. Eff. LPW Max	69	69	69	69	69	69
High Eff. Watts Max	48	72	93	126	148	176
High Eff. Del. Lms Max	4700	6900	8800	12000	14100	16800
High Eff. LPW Max	104	104	104	104	104	104
Suspension Points	3	3	3	3	6	6

### FIXTURE FINISHE



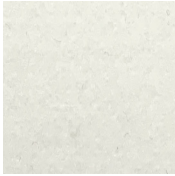
### CANOPY FINISHES



# MICRO RING DIRECT™ - SUSPENDED

## ACOUSTIC PANEL FINISH

Not required



White



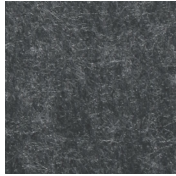
Apple Green



Blue



Light Gray



Sesame Gray



Black

Available up to 4ft diameter. Larger sizes available with visible seam, consult factory.  
Other finishes available. Consult factory.

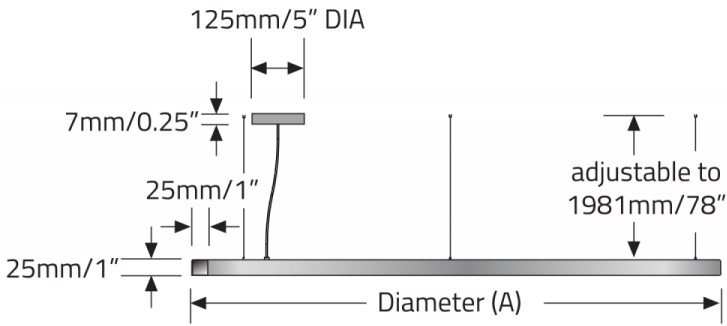
## APPROVALS



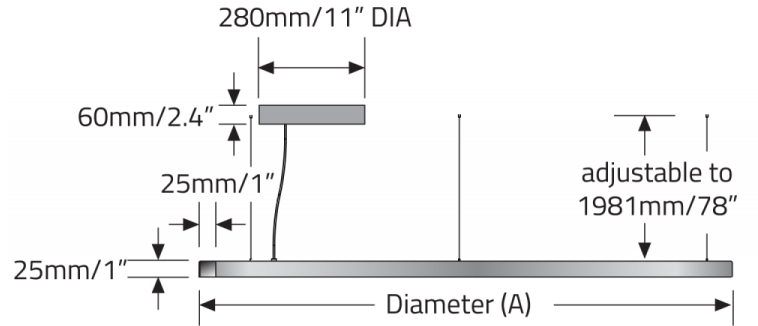
# MICRO RING DIRECT™ - SUSPENDED

## DIMENSIONAL DIAGRAMS

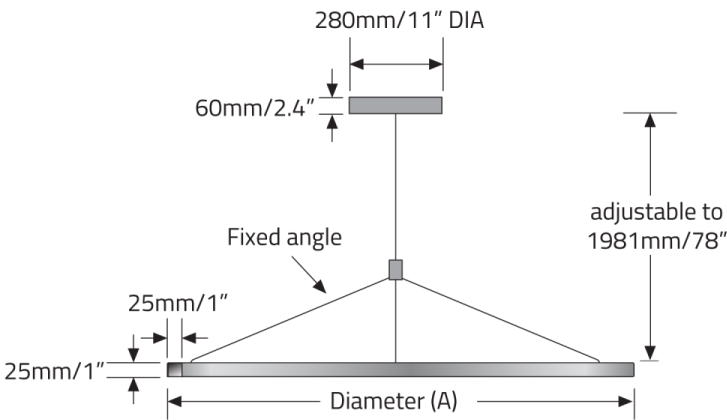
SS1 VERTICAL, REMOTE DRIVER



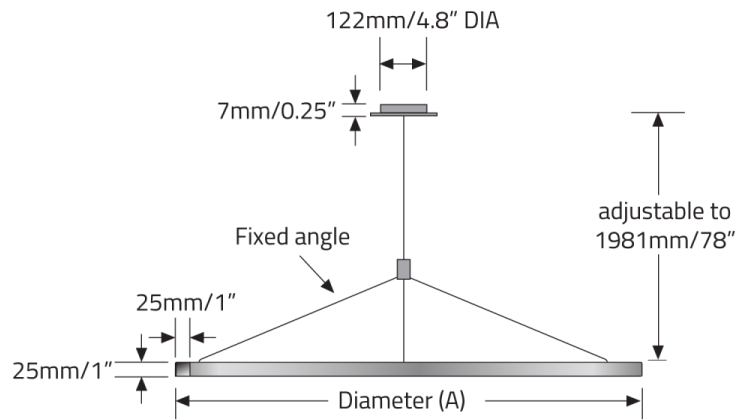
SS3 VERTICAL, INTEGRAL DRIVER



SS4 HUB, INTEGRAL DRIVER



SS2 HUB, REMOTE DRIVER





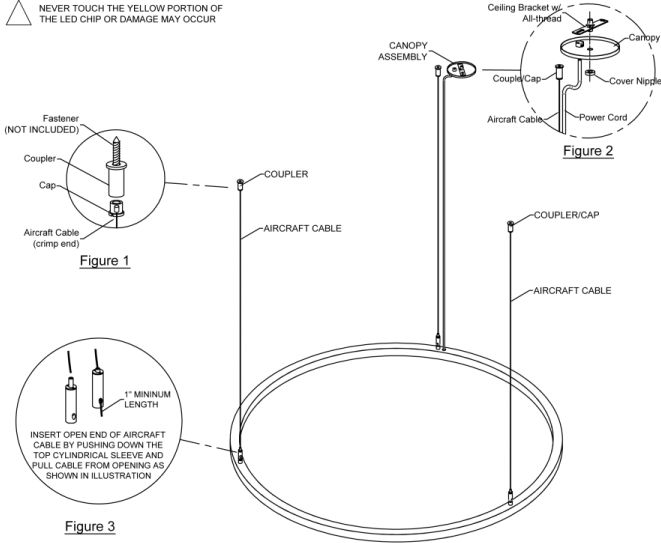
# MICRO RING DIRECT™ - SUSPENDED

## Micro Ring Direct - Installation Instruction

### MICRO RING PENDANT - SS1 SUSPENSION

### INSTALLATION - PENDANT

- ⚠ PLEASE ENSURE ELECTRICAL CIRCUIT IS DISCONNECTED BEFORE INSTALLATION
- ⚠ NEVER TOUCH THE YELLOW PORTION OF THE LED CHIP OR DAMAGE MAY OCCUR



1. Mount the couplers to the ceiling using appropriate fasteners "NOT INCLUDED" according to the structure of the ceiling - see Figure 1
2. Pass the aircraft cables through the caps
3. Fasten the cap to the couplers
4. Lift the fixture and attach the loose end of the aircraft cables to the cable gliders - see Figure 3
5. Make all necessary wiring connections and attach the canopy to the junction box using the bracket/nipple/finial assembly provided
6. Level the fixture using the cable gliders - to release the grip lock, press down on the tip of the mechanism (if desired, clip the excess aircraft cables after the fixture is level)

NOTE: The canopy is used to cover the branch circuit / junction box

BETACALCO

1400 Whitehorse Road,  
Toronto, ON M3J 3A7

+1 416-531-9942  
sales@betacalco.com

betacalco.com

