

MICRO RING DIRECT™ - SUSPENDED



Project Name:

Fixture Type:

Fixture Code:

Quantities:

A. LUMINAIRE

MRRP1P02 2ft, 4700 lms

MRRP1P03 3ft, 6900 lms

MRRP1P04 4ft, 8800 lms

MRRP1P05 5ft, 12900 lms

MRRP1P06 6ft, 14100 lms

MRRP1P07 7ft, 16800 lms

B. EFFICIENCY

EFF1 Standard efficiency ¹

EFF2 High efficiency ²

¹ Standard efficiency refers to Standard efficacy.

² High efficiency refers to High efficacy. This option is 52% more efficient than Standard efficiency.

C. LM/FT

LPF017 175 lm/ft ^{1 2}

LPF026 260 lm/ft ^{1 2}

LPF035 350 lm/ft ^{1 2}

LPF052 525 lm/ft ²

LPF075 750 lm/ft ²

¹ Standard efficiency is available from 175 lm/ft to 350 lm/ft.

² High efficiency is available from 175 lm/ft to 750 lm/ft.

D. CRI

CR80 CRI 80+

CR90 CRI 90+

E. CCT

CTA27 2700K ¹

CTA30 3000K

CTA35 3500K

CTA40 4000K

¹ Longer than normal lead times may apply, consult factory.

F. VOLTAGE

V1 120/277V

V2 240V ¹

V3 347V ²

V4 Low Voltage ³

¹ Not available in North America.

² Only available with DA01 dimming.

³ Only available with DA45.

G. DIMMING (REMOTE)

DA01 0-10V Dimming 1.0%

DA20 DALI Dimming 0.1% ¹

DA21 DALI Dimming 1.0% ¹

DA45 PoE ²

¹ Not available with V3.

² Only available with V4.

H. SUSPENSION

SS1 Vertical, remote driver

SS2 Hub, Remote driver ¹

SS3 Vertical, Driver Integral to Canopy

SS4 Hub, Driver Integral to Canopy ¹

¹ available up to 60" diameter.



MICRO RING DIRECT™ - SUSPENDED

I. FIXTURE FINISH

FA01 White	FA02 Black Metallic - Textured	FA20 Silver Metallic - Textured	FA25 Gold Metallic - Textured
FA44 Midnight Blue Metallic - Textured	FA45 Copper Metallic	FA46 Charcoal Metallic - Textured	FA47 Bronze Metallic - Textured
FA52 Champagne Metallic	FA53 Red Metallic - Textured		

J. CANOPY FINISH

CF01 White	CF02 Black Metallic - Textured	CF20 Silver Metallic - Textured	CF25 Gold Metallic - Textured
CF44 Midnight Blue Metallic - Textured	CF45 Copper Metallic	CF46 Charcoal Metallic - Textured	CF47 Bronze Metallic - Textured
CF52 Champagne Metallic	CF53 Red Metallic - Textured		

K. ACOUSTIC PANEL COLOR

AP00 Not required	AP04 White	AP13 Apple Green	AP22 Blue
AP11 Light Gray	AP26 Sesame Gray	AP27 Black	

Available up to 4ft diameter. Larger sizes available with visible seam, consult factory.
Other finishes available. Consult factory.

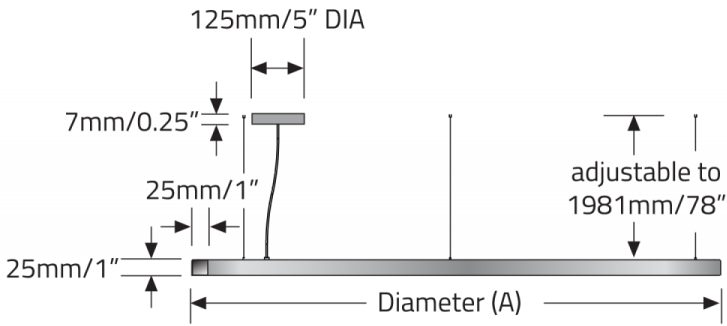
L. EMERGENCY

E0 Not required	E2 Emergency system - Remote
------------------------	-------------------------------------

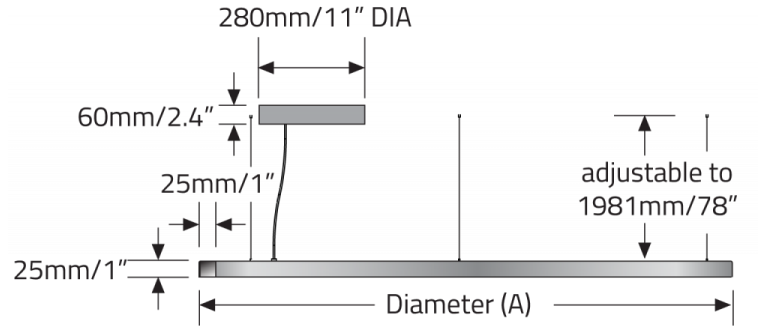
MICRO RING DIRECT™ - SUSPENDED

DIMENSIONAL DIAGRAMS

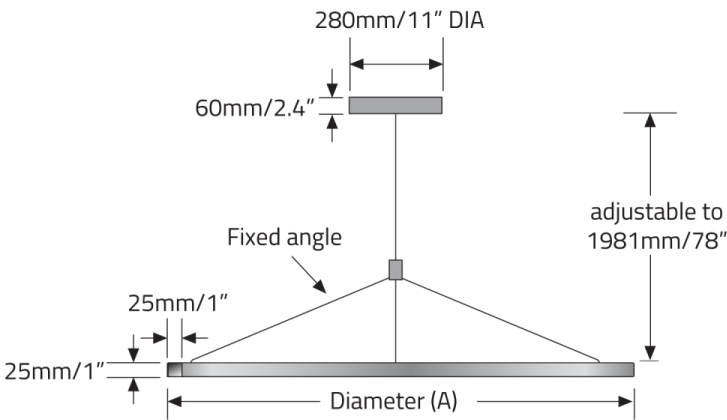
SS1 VERTICAL, REMOTE DRIVER



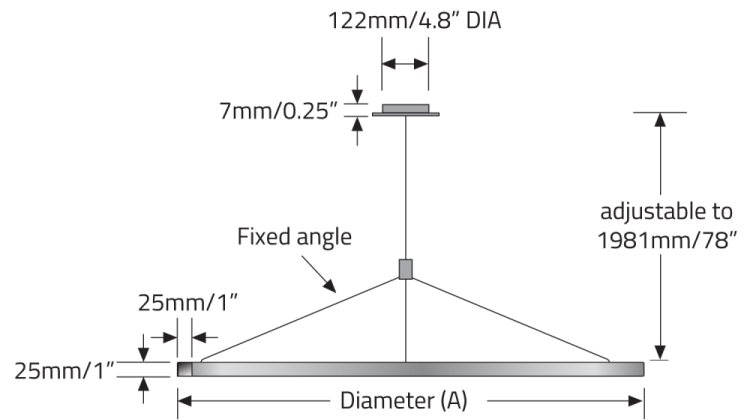
SS3 VERTICAL, INTEGRAL DRIVER



SS4 HUB, INTEGRAL DRIVER



SS2 HUB, REMOTE DRIVER



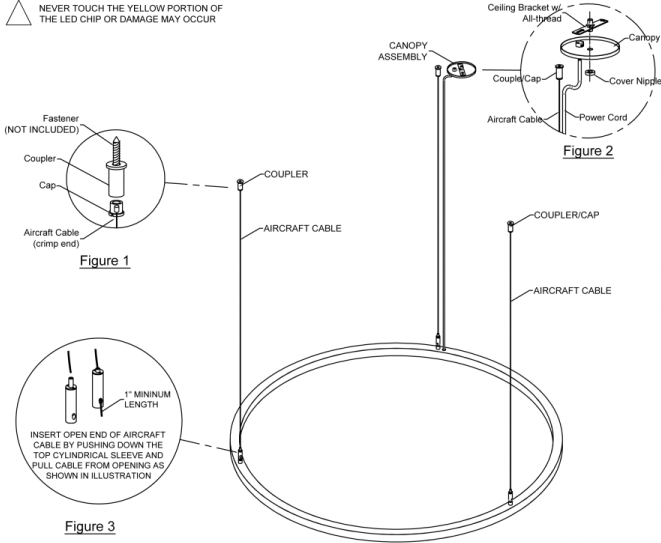
MICRO RING DIRECT™ - SUSPENDED

Micro Ring Direct - Installation Instruction

MICRO RING PENDANT - SS1 SUSPENSION

INSTALLATION - PENDANT

- ⚠ PLEASE ENSURE ELECTRICAL CIRCUIT IS DISCONNECTED BEFORE INSTALLATION
- ⚠ NEVER TOUCH THE YELLOW PORTION OF THE LED CHIP OR DAMAGE MAY OCCUR



1. Mount the couplers to the ceiling using appropriate fasteners "NOT INCLUDED" according to the structure of the ceiling - see Figure 1
2. Pass the aircraft cables through the caps
3. Fasten the cap to the couplers
4. Lift the fixture and attach the loose end of the aircraft cables to the cable gliders - see Figure 3
5. Make all necessary wiring connections and attach the canopy to the junction box using the bracket/nipple/finial assembly provided
6. Level the fixture using the cable gliders - to release the grip lock, press down on the tip of the mechanism (if desired, clip the excess aircraft cables after the fixture is level)

NOTE: The canopy is used to cover the branch circuit / junction box

BETACALCO

1400 Whitehorse Road,
Toronto, ON M3J 3A7

+1 416-531-9942
sales@betacalco.com

betacalco.com

