

MICRO RING II™ - SUSPENDED



Project Name:

Fixture Type:

Fixture Code:

Quantities:

A. LUMINAIRE

MRTP1P02 2ft, Direct, 5000 lms

MRTP1P03 3ft, Direct, 7400 lms

MRTP1P04 4ft, Direct, 9500 lms

MRTP1P05 5ft, Direct, 12900 lms

MRTP1P06 6ft, Direct, 15200 lms

MRTP1P07 7ft, Direct, 18100 lms

MRTP1P08 8ft, Direct, 17500 lms

MRTP1P12 12ft Direct, 27700 lms

MRTP2P02 2ft, Direct/Indirect, 6800 lms

MRTP2P03 3ft, Direct/Indirect, 10200 lms

MRTP2P04 4ft, Direct/Indirect, 13800 lms

MRTP2P05 5ft, Direct/Indirect, 17300 lms

MRTP2P06 6ft, Direct/Indirect, 20400 lms

MRTP2P07 7ft, Direct/Indirect, 24200 lms

MRTP2P08 8ft, Direct/Indirect, 23900 lms

MRTP2P12 12ft, Direct/Indirect, 37700 lms

B. EFFICIENCY

EFF1 Standard efficiency ¹

EFF2 High efficiency ²

¹ Standard efficiency refers to Standard efficacy.

² High efficiency refers to High efficacy. This option is 52% more efficient than Standard efficiency.

C. LUMENS/FT DIRECT

LPF017 175 lm/ft ^{1 2}

LPF026 260 lm/ft ^{1 2}

LPF035 350 lm/ft ^{1 2}

LPF052 525 lm/ft ^{1 2}

LPF080 800 lm/ft ²

¹ Standard efficiency is available from 175 lm/ft to 525 lm/ft.

² High efficiency is available from 175 lm/ft to 800 lm/ft for direct only and up to 525 lm/ft for direct/indirect.

D. LUMENS/FT INDIRECT

LPG000 Not required

LPG017 175 lm/ft ^{1 2}

LPG026 260 lm/ft ^{1 2}

LPG035 350 lm/ft ^{1 2}

LPG052 525 lm/ft ²

¹ Standard efficiency is available from 175 lm/ft to 350 lm/ft.

² High efficiency is available from 175 lm/ft to 525 lm/ft.

E. CRI

CR80 CRI 80+

CR90 CRI 90+

F. CCT (DIRECT)

CTA27 2700K ¹

CTA30 3000K

CTA35 3500K

CTA40 4000K

¹ Longer than normal lead times may apply, consult factory for details.

G. CCT (INDIRECT)

CTB00 Not required

CTB27 2700K ¹

CTB30 3000K

CTB35 3500K

CTB40 4000K

¹ Longer than normal lead times may apply, consult factory.



MICRO RING II™ - SUSPENDED

H. VOLTAGE

V1 120/277V

V2 240V¹

V3 347V²

V4 Low Voltage³

¹ Not available in North America.

² Available with DA01 dimming only.

³ V4 available with DA45 dimming only.

I. DIMMING

DA01 0-10V Dimming 1.0%

DA20 DALI Dimming 0.1%¹

DA21 DALI Dimming 1.0%¹

DA45 PoE²

¹ Not available with MRTP2P05, MRTP2P06 or MRTP2P07.

² Available with V4 only.

J. SUSPENSION

SS1 Vertical, Remote driver

SS2 Hub, Remote driver¹

SS3 Vertical, Integral driver²

SS4 Hub, Integral driver²

SS6 Power Over Suspension Cable, Vertical Remote driver¹

SS7 Power over Suspension, Hub, Remote driver^{1 4}

SS9 Power over Suspension, Hub, Integral driver^{1 3 4}

¹ Available up to 7ft for Direct and Direct/Indirect for DA01. Available up to 7ft for Direct only and available up to 6ft only for Direct/Indirect for DA20 & DA21. Available for all sizes for DA45.

² Available for all sizes for DA01. Available for up to 5ft Direct and up to 4ft Direct/Indirect for DA20 & DA21. Available for all sizes for DA45.

³ Available with V1 voltage only.

⁴ The minimum suspension height relative to diameter is as follows: 2ft = 18", 3ft = 18", 4ft = 24", 5ft = 30", 6ft = 36", 7ft = 42".

K. FIXTURE FINISH

FA01 White

FA02 Black Metallic - Textured

FA20 Silver Metallic - Textured

FA25 Gold Metallic - Textured

FA27 Wood grain - Light Cherry¹

FA28 Wood grain - Dark Walnut¹

FA44 Midnight Blue Metallic - Textured

FA45 Copper Metallic

FA46 Charcoal Metallic - Textured

FA47 Bronze Metallic - Textured

FA52 Champagne Metallic

FA53 Red Metallic - Textured

¹ Wood grain finishes are not available for 2ft diameter or above 6ft diameter. Longer than normal lead times may apply, consult factory.

L. CANOPY FINISH

CF01 White

CF02 Black Metallic - Textured

CF20 Silver Metallic - Textured

CF25 Gold Metallic - Textured

CF44 Midnight Blue Metallic - Textured

CF45 Copper Metallic

CF46 Charcoal Metallic - Textured

CF47 Bronze Metallic - Textured

CF52 Champagne Metallic

CF53 Red Metallic - Textured

M. ACOUSTIC PANEL COLOR

AP00 Not required

AP04 White

AP13 Apple Green

AP22 Blue

AP11 Light Gray

AP26 Sesame Gray

AP27 Black

Available up to 4ft diameter. Larger sizes (5ft to 7ft) available with visible seams, consult factory.

For accompanying non-illuminating acoustic panels see our Acoustic Circles, Quads, Triangles and Ellipse spec pages.

Other finishes available. Consult factory.

N. EMERGENCY

E0 Not required

E2 Emergency system - Remote

O. CIRCUITS

CS1 Single circuit

CS2 Dual circuit



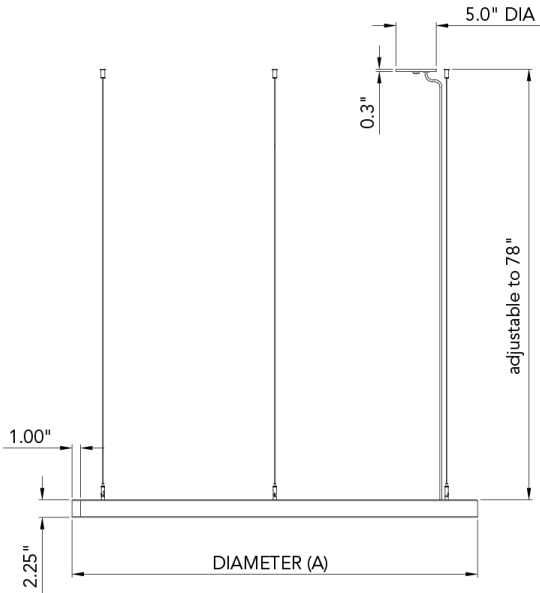
MICRO RING II™ - SUSPENDED

DIMENSIONAL DIAGRAMS

Power Cable Suspension

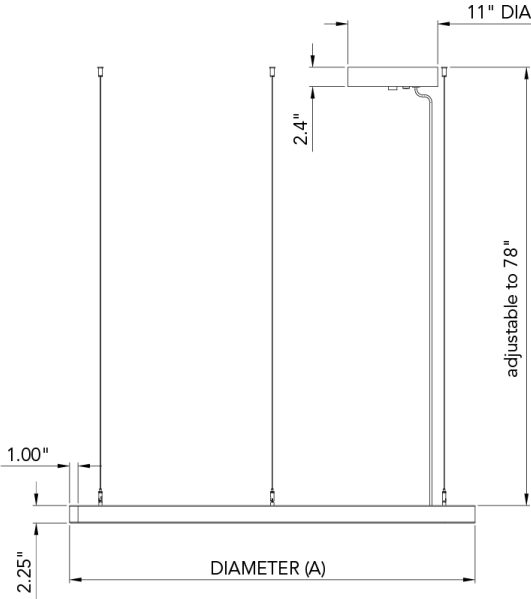
SS1

Vertical - Remote Driver



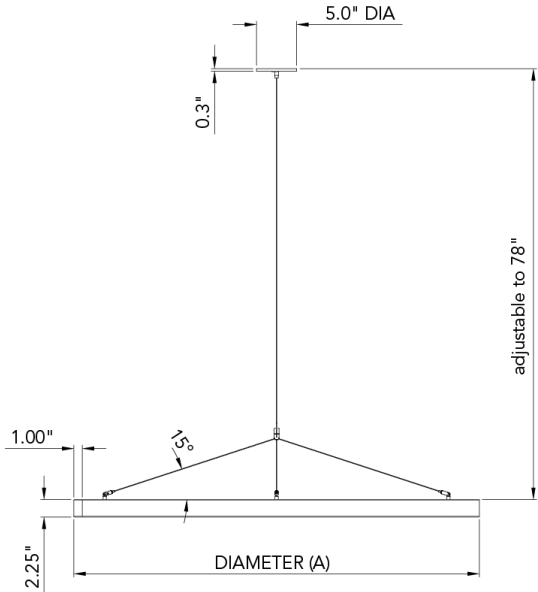
SS3

Vertical - Integral Driver



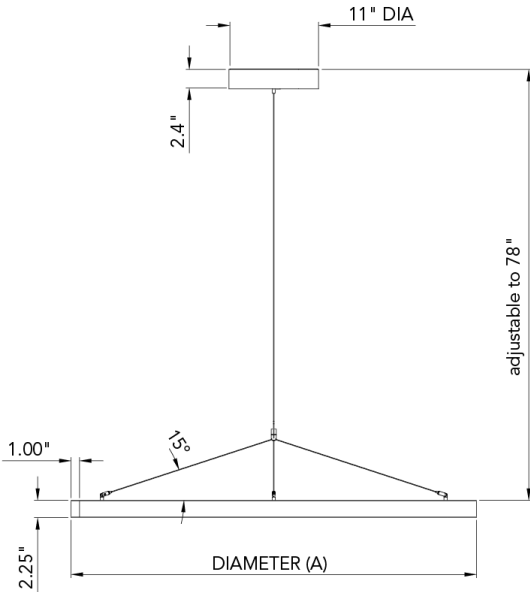
SS2

Hub - Remote Driver



SS4

Vertical - Integral Driver

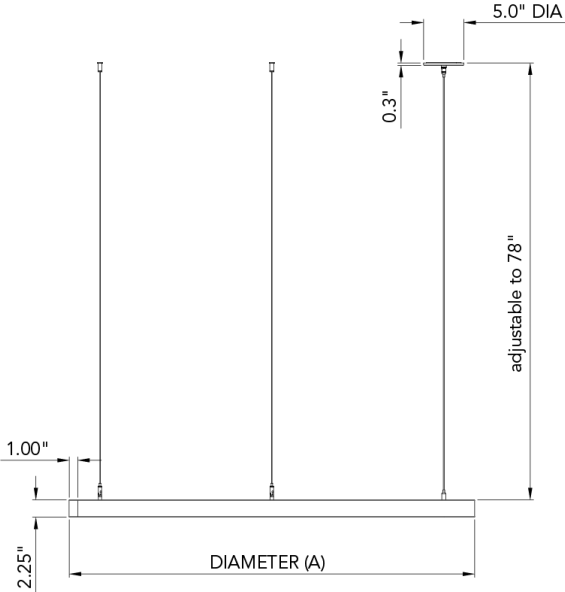


MICRO RING II™ - SUSPENDED

Power Over Suspension

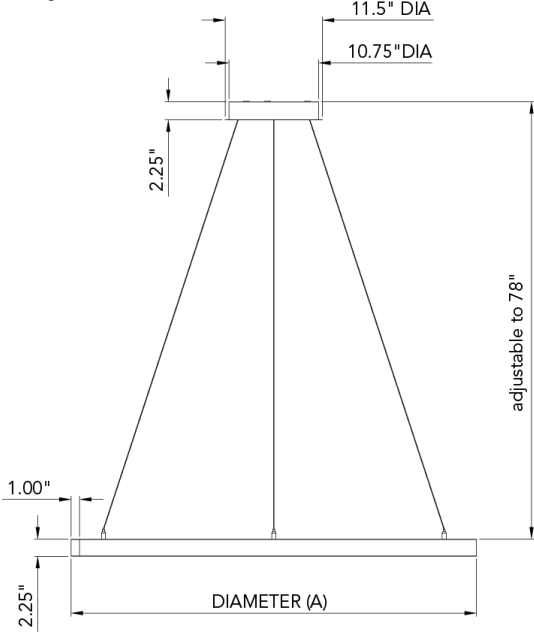
SS6

Vertical - Remote Driver



SS9

Hub - Integral Driver



SS7

Hub - Remote Driver

