

MICRO RING INDIRECT™ - SUSPENDED

Project Name:

Fixture Type:

Fixture Code:

Quantities:



MICRO RING INDIRECT™ - SUSPENDED



MICRO RING INDIRECT™ - SUSPENDED

With a super slim profile and 6 diameters ranging from 2' to 7', **MICRO RING INDIRECT** is ideal for creating sizable multi-tiered circular arrangements. The ring emits indirect light only and can be coordinated with 5 other emission options in the MICRO RING family for creating light layers. Buoyant and energetic, **MICRO RING INDIRECT** is just as impactful as a single standalone piece, especially with the halo effect created from the uplight. For sound comfort, **MICRO RING INDIRECT** is available with an acoustic panel designed to absorb echo and reverberation associated with open-concept spaces, exposed concrete, open ceilings, and large windows. For a whimsical style, combine MICRO RING with MICRO TRIANGLE or MICRO QUAD.

GENERAL SPECIFICATION

Body and trim

Aluminum.

Suspension

Steel cables.

Remote Emergency

Emergency option provides a 1.5 hour (3 hours for EU) emergency lighting facility. The remote system includes the inverter module, NiCad batteries and a remote wall/ceiling LED charge indicator and test switch (NA only) Maximum distance between wall/ceiling plate and luminaire is 15' (4.5m). Test switch fits a single gang box (not supplied).

Drivers

HPF electronic drivers for 120-277V, 0-10V, 1% dimming. The driver is integral to the fixture canopy or remote mount depending on which options are selected.

Acoustic Panels NRC Rating

0.80.

Acoustic Panels Material

100% recycled polyester fiber (PET).

Mechanical

Luminaires mount directly over J box (by others - North America only).

Diffuser

Protruding Lens 0.08" (2.1mm).

Reported L70 @25°C (77°F)

> 60,000 hrs.

Finish

Powder coated.

Power cable

Silver braided.

Remote Mounting Of Drivers

Wire size 18 AWG - max distance (from fixture to drivers) 40' (12.2m), wire size 16 AWG - max distance 60' (18.3m), wire size 14 AWG - max distance 90' (27.4m). Drivers must be accessible after installation. .

PoE

Micro Ring Indirect can integrate into your data network via Power over Ethernet (PoE) connectivity.

Acoustic Panels Class A fire Rating

ASTM E-84 material.

Acoustic Panels Thickness

12mm (0.5").

Delivered Lumens

Delivered lumens & LPW based on 4000K (min 80 CRI).

Sensors

Consult factory regarding sensor compatibility.

Approvals

Damp Rated.

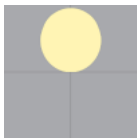
MOUNTING & OPTICS



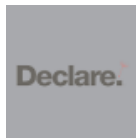
Suspended Indirect



Acoustic



Indirect



Declare



PoE



MICRO RING INDIRECT™ - SUSPENDED

HOW TO ORDER

A. LUMINAIRE

MRNP2P02 2ft, 4700 lms

MRNP2P03 3ft, 6900 lms

MRNP2P04 4ft, 8800 lms

MRNP2P05 5ft, 12000 lms

MRNP2P06 6ft, 14100 lms

MRNP2P07 7ft, 16800 lms

B. EFFICIENCY

EFF1 Standard efficiency ¹

EFF2 High efficiency ²

¹ Standard efficiency refers to Standard efficacy.

² High efficiency refers to High efficacy. This option is 52% more efficient than Standard efficiency.

C. LUMENS

LPF017 175 lm/ft ^{1 2}

LPF026 260 lm/ft ^{1 2}

LPF035 350 lm/ft ^{1 2}

LPF052 525 lm/ft ²

LPF075 750 lm/ft ²

¹ Standard efficiency is available from 175 lm/ft to 350 lm/ft.

² High efficiency is available from 175 lm/ft to 750 lm/ft.

D. CRI

CR80 CRI 80+

CR90 CRI 90+

E. CCT

CTA27 2700K ¹

CTA30 3000K

CTA35 3500K

CTA40 4000K

¹ Longer than normal lead times may apply, consult factory for details.

F. VOLTAGE

V1 120/277V

V2 240V ¹

V3 347V ²

V4 Low Voltage ³

¹ Not available in North America.

² Available with DA01 dimming only.

G. DIMMING (REMOTE)

DA01 0-10V Dimming 1.0%

DA20 DALI Dimming 1.0% ¹

DA21 DALI Dimming 1.0% ¹

DA45 PoE ²

¹ Not available with V3.

² Available with V4 only.

H. SUSPENSION

SS1 Vertical, Remote driver

SS2 Hub, Remote driver ¹

SS3 Vertical, Driver Integral to Canopy

SS4 Hub, Driver Integral to Canopy ¹

¹ Available up to 5ft dia.

I. FIXTURE FINISH

FA01 White

FA02 Black Metallic - Textured

FA20 Silver Metallic - Textured

FA25 Gold Metallic - Textured

FA44 Midnight Blue Metallic - Textured

FA45 Copper Metallic

FA46 Charcoal Metallic - Textured

FA47 Bronze Metallic - Textured

FA52 Champagne Metallic

FA53 Red Metallic - Textured



MICRO RING INDIRECT™ - SUSPENDED

J. CANOPY FINISH

- CF01** White
- CF02** Black Metallic - Textured
- CF20** Silver Metallic - Textured
- CF25** Gold Metallic - Textured
- CF44** Midnight Blue Metallic - Textured
- CF45** Copper Metallic
- CF46** Charcoal Metallic - Textured
- CF47** Bronze Metallic - Textured
- CF52** Champagne Metallic
- CF53** Red Metallic - Textured

K. ACOUSTIC PANEL COLOR

- AP00** Not required
- AP04** White
- AP13** Apple Green
- AP33** Blue
- AP11** Light Gray
- AP26** Sesame Gray
- AP27** Black

Available up to 48". Larger sizes available with visible seams, consult factory.
Volume Discounts are available on all acoustic products, contact the factory for a quote.
For accompanying non-illuminating acoustic panels see our Acoustic Circles, Quads and Triangles spec pages.
Other finishes available. Consult factory.

L. EMERGENCY

- E0** Not required
- E2** Emergency system - Remote

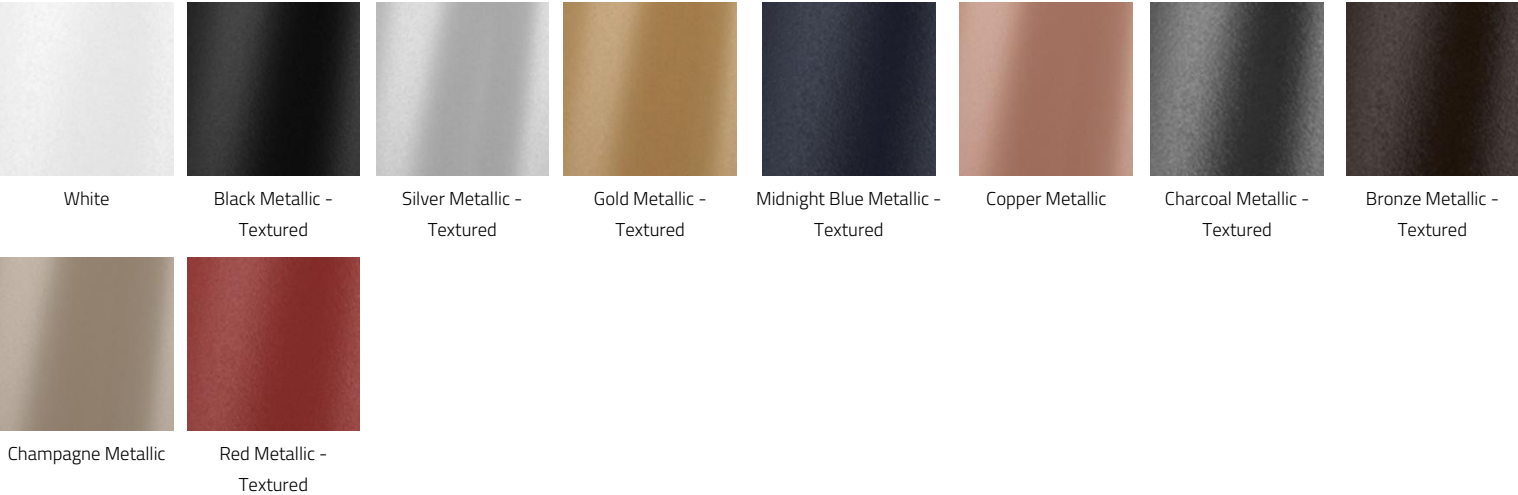
MICRO RING INDIRECT™ - SUSPENDED

TECHNICAL DATA

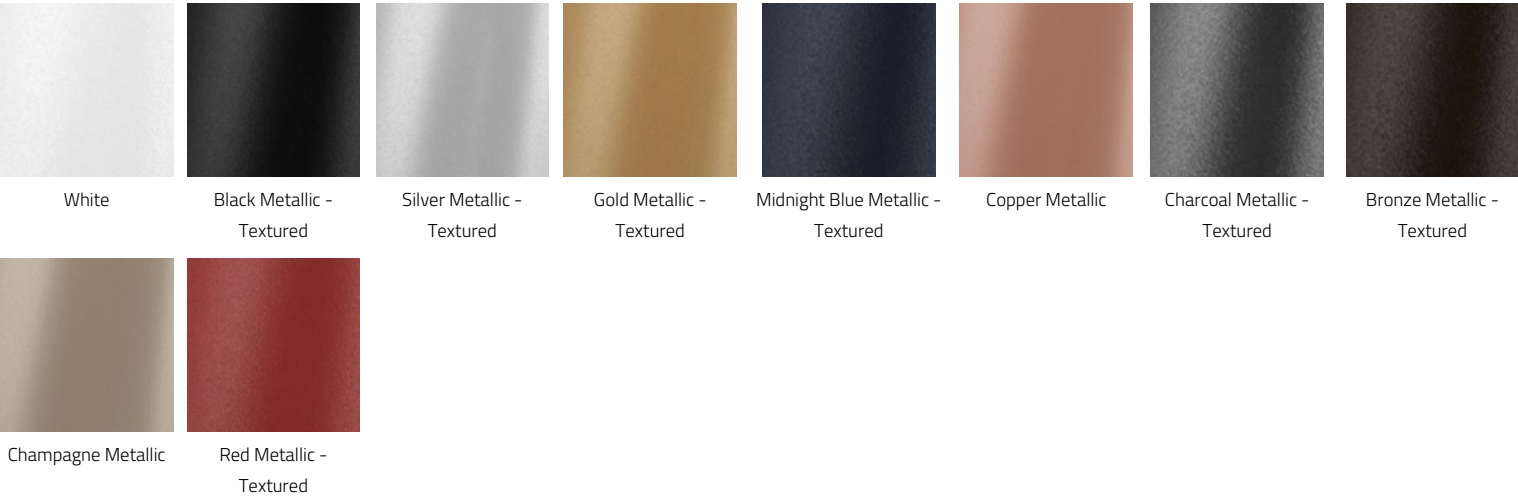
LUMINAIRE

Code	MRNP2P02	MRNP2P03	MRNP2P04	MRNP2P05	MRNP2P06	MRNP2P07
Diameter (A)	2ft	3ft	4ft	5ft	6ft	7ft
EFF1 Watts	32	48	62	84	99	118
EFF1 Del. Lms	2200	3200	4200	5600	6600	7900
EFF1 LPW	69	69	69	69	69	69
EFF2 Watts	48	72	93	126	148	176
EFF2 Del. Lms	4700	6900	8800	12000	14100	16800
EFF2 LPW	104	104	104	104	104	104
Suspension Points	3	3	3	3	6	6

FIXTURE FINISH



CANOPY FINISH



MICRO RING INDIRECT™ - SUSPENDED

ACOUSTIC PANEL COLOR

Not required



White



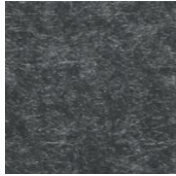
Apple Green



Blue



Light Gray



Sesame Gray



Black

Available up to 48". Larger sizes available with visible seams, consult factory.

Volume Discounts are available on all acoustic products, contact the factory for a quote.

For accompanying non-illuminating acoustic panels see our Acoustic Circles, Quads and Triangles spec pages.

Other finishes available. Consult factory.

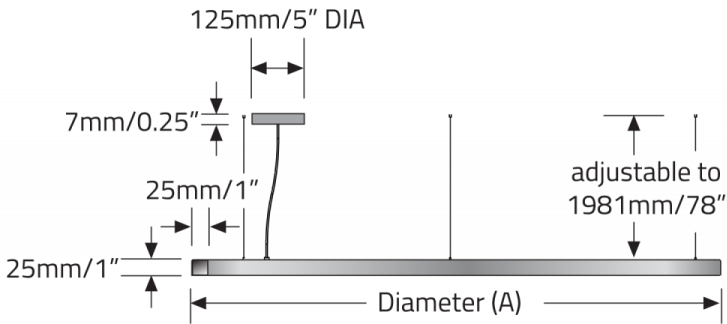
APPROVALS



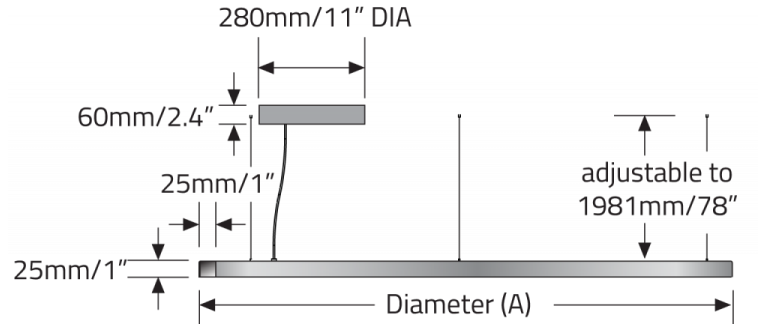
MICRO RING INDIRECT™ - SUSPENDED

DIMENSIONAL DIAGRAMS

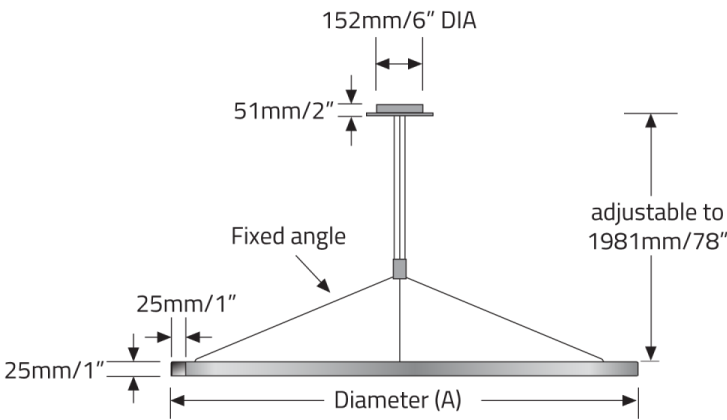
SS1 VERTICAL, REMOTE DRIVER



SS3 - VERTICAL, INTEGRAL DRIVER



SS2 HUB, REMOTE DRIVER



SS4 HUB, INTEGRAL DRIVER

