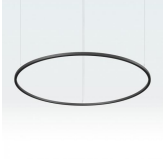


# MICRO RING INDIRECT™ - SUSPENDED



Project Name:

Fixture Type:

Fixture Code:

Quantities:

## A. LUMINAIRE

**MRNP2P02** 2ft, 4700 lms

**MRNP2P03** 3ft, 6900 lms

**MRNP2P04** 4ft, 8800 lms

**MRNP2P05** 5ft, 12000 lms

**MRNP2P06** 6ft, 14100 lms

**MRNP2P07** 7ft, 16800 lms

## B. EFFICIENCY

**EFF1** Standard efficiency <sup>1</sup>

**EFF2** High efficiency <sup>2</sup>

<sup>1</sup> Standard efficiency refers to Standard efficacy.

<sup>2</sup> High efficiency refers to High efficacy. This option is 52% more efficient than Standard efficiency.

## C. LUMENS

**LPF017** 175 lm/ft <sup>1 2</sup>

**LPF026** 260 lm/ft <sup>1 2</sup>

**LPF035** 350 lm/ft <sup>1 2</sup>

**LPF052** 525 lm/ft <sup>2</sup>

**LPF075** 750 lm/ft <sup>2</sup>

<sup>1</sup> Standard efficiency is available from 175 lm/ft to 350 lm/ft.

<sup>2</sup> High efficiency is available from 175 lm/ft to 750 lm/ft.

## D. CRI

**CR80** CRI 80+

**CR90** CRI 90+

## E. CCT

**CTA27** 2700K <sup>1</sup>

**CTA30** 3000K

**CTA35** 3500K

**CTA40** 4000K

<sup>1</sup> Longer than normal lead times may apply, consult factory for details.

## F. VOLTAGE

**V1** 120/277V

**V2** 240V <sup>1</sup>

**V3** 347V <sup>2</sup>

**V4** Low Voltage <sup>3</sup>

<sup>1</sup> Not available in North America.

<sup>2</sup> Available with DA01 dimming only.

## G. DIMMING (REMOTE)

**DA01** 0-10V Dimming 1.0%

**DA20** DALI Dimming 1.0% <sup>1</sup>

**DA21** DALI Dimming 1.0% <sup>1</sup>

**DA45** PoE <sup>2</sup>

<sup>1</sup> Not available with V3.

<sup>2</sup> Available with V4 only.

## H. SUSPENSION

**SS1** Vertical, Remote driver

**SS2** Hub, Remote driver <sup>1</sup>

**SS3** Vertical, Driver Integral to Canopy

**SS4** Hub, Driver Integral to Canopy <sup>1</sup>

<sup>1</sup> Available up to 5ft dia.



# MICRO RING INDIRECT™ - SUSPENDED

## I. FIXTURE FINISH

<b>FA01</b> White	<b>FA02</b> Black Metallic - Textured	<b>FA20</b> Silver Metallic - Textured	<b>FA25</b> Gold Metallic - Textured
<b>FA44</b> Midnight Blue Metallic - Textured	<b>FA45</b> Copper Metallic	<b>FA46</b> Charcoal Metallic - Textured	<b>FA47</b> Bronze Metallic - Textured
<b>FA52</b> Champagne Metallic	<b>FA53</b> Red Metallic - Textured		

## J. CANOPY FINISH

<b>CF01</b> White	<b>CF02</b> Black Metallic - Textured	<b>CF20</b> Silver Metallic - Textured	<b>CF25</b> Gold Metallic - Textured
<b>CF44</b> Midnight Blue Metallic - Textured	<b>CF45</b> Copper Metallic	<b>CF46</b> Charcoal Metallic - Textured	<b>CF47</b> Bronze Metallic - Textured
<b>CF52</b> Champagne Metallic	<b>CF53</b> Red Metallic - Textured		

## K. ACOUSTIC PANEL COLOR

<b>AP00</b> Not required	<b>AP04</b> White	<b>AP13</b> Apple Green	<b>AP33</b> Blue
<b>AP11</b> Light Gray	<b>AP26</b> Sesame Gray	<b>AP27</b> Black	

Available up to 48". Larger sizes available with visible seams, consult factory.

Volume Discounts are available on all acoustic products, contact the factory for a quote.

For accompanying non-illuminating acoustic panels see our Acoustic Circles, Quads and Triangles spec pages.

Other finishes available. Consult factory.

## L. EMERGENCY

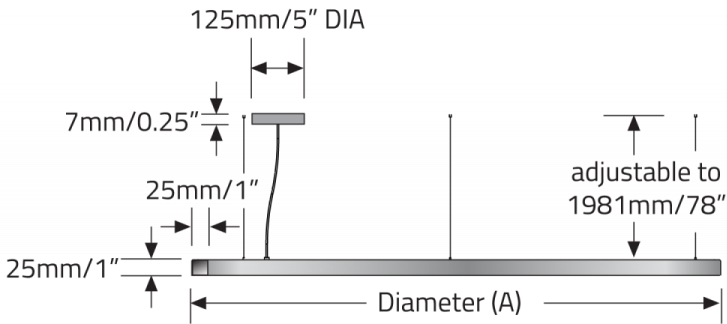
<b>E0</b> Not required	<b>E2</b> Emergency system - Remote
------------------------	-------------------------------------



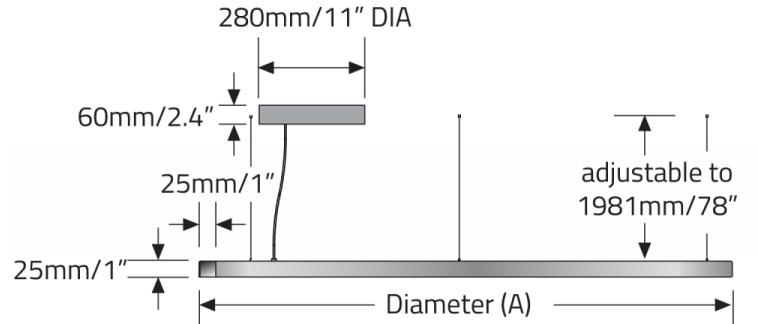
# MICRO RING INDIRECT™ - SUSPENDED

## DIMENSIONAL DIAGRAMS

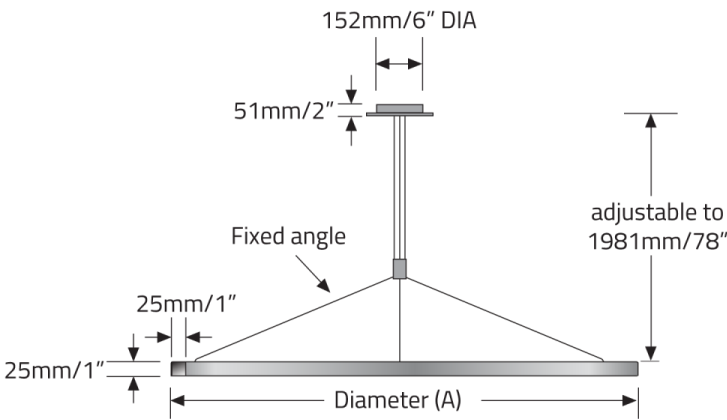
SS1 VERTICAL, REMOTE DRIVER



SS3 - VERTICAL, INTEGRAL DRIVER



SS2 HUB, REMOTE DRIVER



SS4 HUB, INTEGRAL DRIVER

