

MICRO TRIANGLE II™ - SUSPENDED

Project Name:

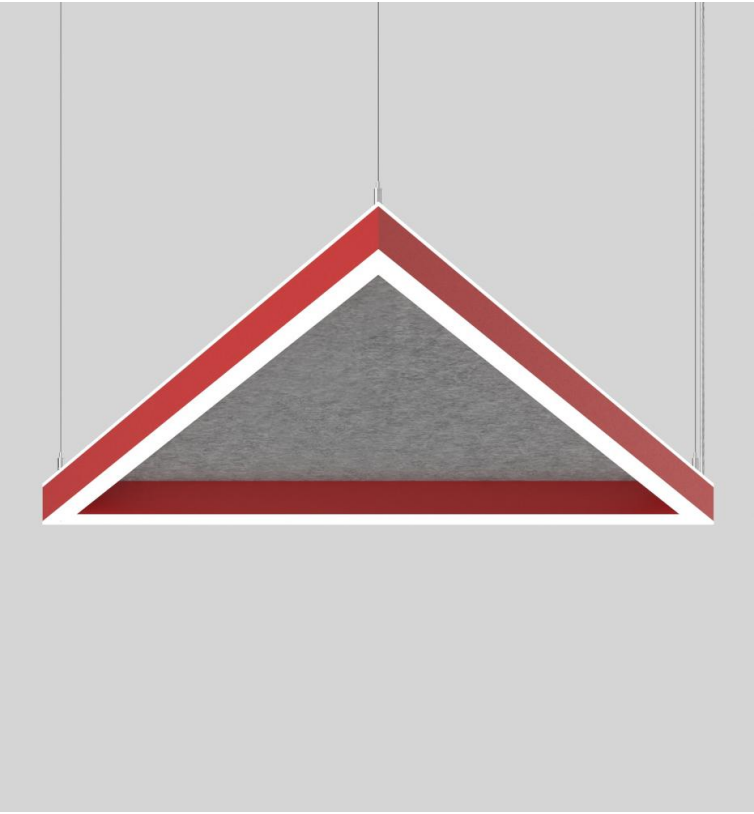
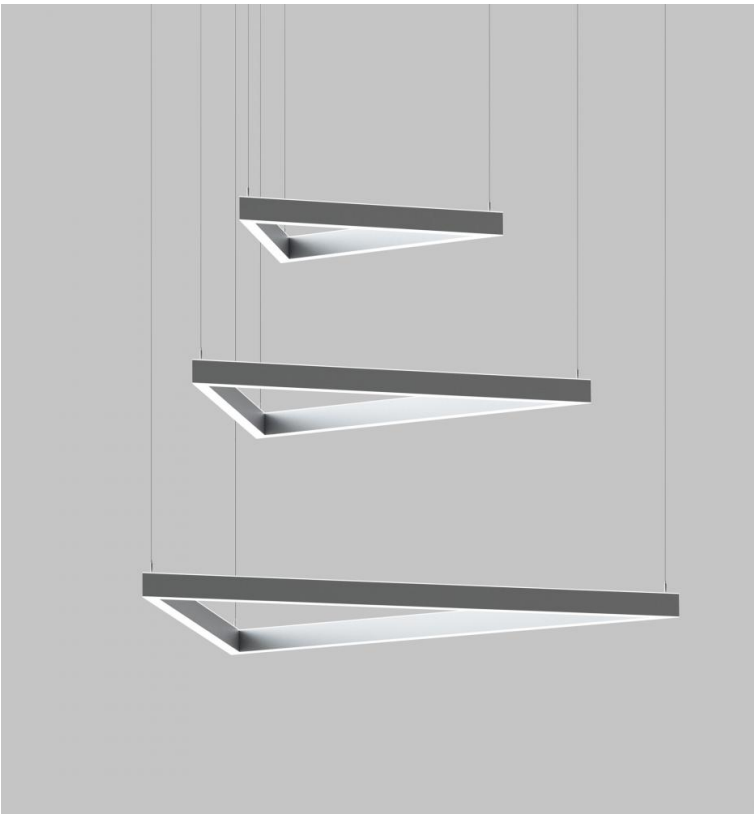
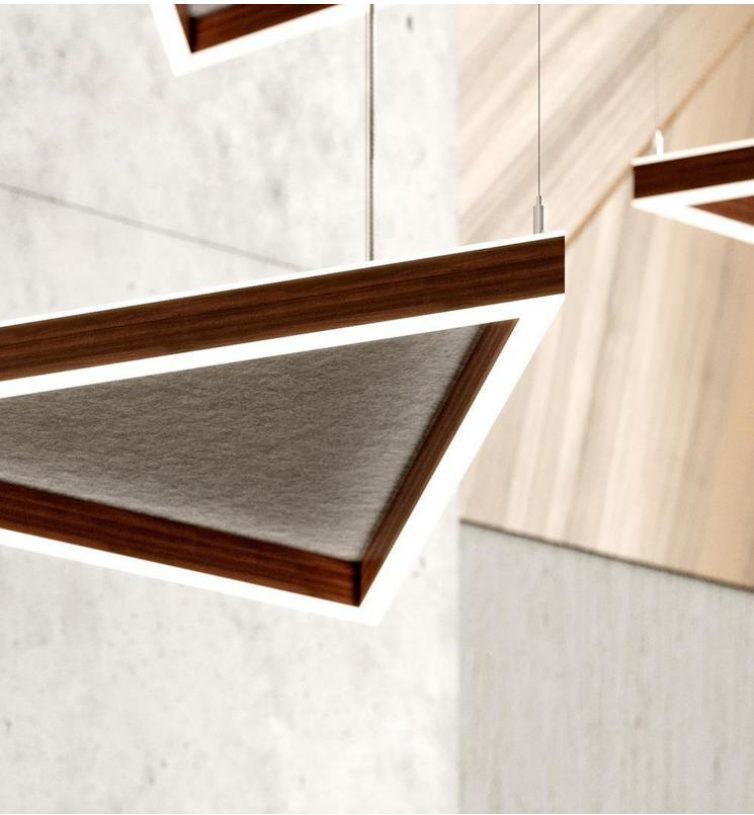
Fixture Type:

Fixture Code:

Quantities:



MICRO TRIANGLE II™ - SUSPENDED



MICRO TRIANGLE II™ - SUSPENDED

The triangle shape is a powerful way to create an edgy and energetic aesthetic. With a super-slim 1" profile and 5 sizes ranging from 2' to 6', **MICRO TRIANGLE II** is ideal for offsetting symmetrical layouts. The light emission is direct only or direct/indirect and can be coordinated with MICRO TRIANGLE SE which emits light from the inner side of the frame. For sound comfort, **MICRO TRIANGLE II** is available with an acoustic panel designed to absorb echo and reverberation associated with open-concept spaces, exposed concrete, open ceilings, and large windows.

GENERAL SPECIFICATION

Body

Aluminum, Equilateral Triangle

Suspension

Steel cables.

Remote Emergency system

Emergency option provides a 1.5 hour (3 hours for EU) emergency lighting facility. The remote system includes the inverter module, NiCad batteries and a remote wall/ceiling LED charge indicator and test switch (NA only) Maximum distance between wall/ceiling plate and luminaire is 15' (4.5m). Test switch fits a single gang box (not supplied).

Drivers

Remote HPF electronic drivers for 120-277V (EU-240V). The driver is integral to the fixture canopy or remote mount depending on which options are selected.

Acoustic Panels NRC Rating

0.80.

Acoustic Panels Class A Fire Rating

ASTM E-84 material.

PoE

Micro Triangle II can integrate into your data network via Power over Ethernet (PoE) connectivity.

Sensors

Consult factory regarding sensor compatibility.

Reported L70 @25°C (77°F)

> 60,000 hrs.

Finish

Powder coated.

Power cable

Silver braided.

Remote Mounting Of Drivers

Wire size 18 AWG - max distance (from fixture to drivers) 40' (12.2m), wire size 16 AWG - max distance 60' (18.3m), wire size 14 AWG - max distance 90' (27.4m). Drivers must be accessible after installation.

Mechanical

Luminaires mount directly over J box (by others - North America only).

Acoustic Panels Material

100% recycled polyester fiber (PET).

Acoustic Panels Thickness

12mm (0.5").

Delivered Lumens

Delivered lumens & LPW based on 4000K (min 80 CRI).

Diffusers

Frosted acrylic.

Approvals

Damp Rated.

MOUNTING & OPTICS



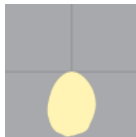
Suspended Direct



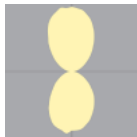
Suspended Direct/Indirect



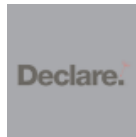
Acoustic



Direct



Direct/Indirect



Declare



PoE



MICRO TRIANGLE II™ - SUSPENDED

HOW TO ORDER

A. LUMINAIRE

MTTP1P02 2ft, Direct 2600 lms

MTTP1P06 6ft, Direct, 7800 lms

MTTP2P05 5ft, Direct/Indirect, 13100 lms

MTTP1P03 3ft, Direct 3900 lms

MTTP2P02 2ft, Direct/Indirect, 5200 lms

MTTP2P06 6ft, Direct/Indirect, 15700 lms

MTTP1P04 4ft, Direct, 5100 lms

MTTP2P03 3ft, Direct/Indirect, 7900 lms

MTTP1P05 5ft, Direct, 6500 lms

MTTP2P04 4ft, Direct/Indirect, 10400 lms

B. LUMENS (DIRECT)

LPF021 215 lm/ft¹

LPF032 320 lm/ft²

LPF043 430 lm/ft³

¹ Based of 50% of total output

² Based on 75% of total output.

³ 100% of total output.

C. LUMENS (INDIRECT)

LPG000 Not required

LPG021 215 lm/ft¹

LPG032 320 lm/ft²

LPG043 430 lm/ft³

¹ Based of 50% of total output.

² Based on 75% of total output.

³ 100% of total output.

D. CRI

CR80 CRI 80+

CR90 CRI 90+

E. CCT (DIRECT)

CTA27 2700K¹

CTA30 3000K

CTA35 3500K

CTA40 4000K

¹ Longer than normal lead times may apply, consult factory.

F. CCT (INDIRECT)

CTB00 Not required

CTB40 4000K

CTB27 2700K¹

CTB30 3000K

CTB35 3500K

¹ Longer than normal lead times may apply, consult factory.

G. VOLTAGE

V1 120/277V

V2 240V¹

V3 347V²

V4 Low Voltage³

¹ Not available in North America.

² Available with DA01 dimming only.

³ Available with DA45 dimming only.

H. DIMMING (REMOTE)

DA01 0-10V Dimming 1.0%

DA20 DALI Dimming 0.1%¹

DA21 DALI Dimming 1.0%¹

DA45 PoE²

¹ Not available with V3.

² Available with V4 only.



MICRO TRIANGLE II™ - SUSPENDED

I. SUSPENSION

| | | | |
|---|-------------------------------|--|---|
| SS1 Vertical, Remote driver | SS2 Hub, Remote driver | SS3 Vertical, Driver Integral to Canopy | SS4 Hub, Driver Integral to Canopy |
| SS6 POS, Vertical, Remote driver | | | |

¹ Available up to 48" diameter max.

² MTTP2P05 available with DA01 dimming only. Not available with MTTP2P06.

³ Available in North America only. Max 60W, max 72" long.

MTTP1P05 and MTTP1P06 available with DA01 dimming only.

Not available with MTTP2P05 and MTTP2P06.

J. FIXTURE FINISH

| | | | |
|--|---|---|--------------------------------------|
| FA01 White | FA02 Black Metallic - Textured | FA20 Silver Metallic - Textured | FA25 Gold Metallic - Textured |
| FA27 Wood grain - Light Cherry ¹ | FA28 Wood grain - Dark Walnut ¹ | FA44 Midnight Blue Metallic - Textured | FA45 Copper Metallic |
| FA46 Charcoal Metallic - Textured | FA47 Bronze Metallic - Textured | FA52 Champagne Metallic | FA53 Red Metallic - Textured |

Longer lead times may apply, consult factory.

K. CANOPY FINISH

| | | | |
|---|---------------------------------------|--|--|
| CF01 White | CF02 Black Metallic - Textured | CF20 Silver Metallic - Textured | CF25 Gold Metallic - Textured |
| CF44 Midnight Blue Metallic - Textured | CF45 Copper Metallic | CF46 Charcoal Metallic - Textured | CF47 Bronze Metallic - Textured |
| CF52 Champagne Metallic | CF53 Red Metallic - Textured | | |

L. ACOUSTIC PANEL FINISH

| | | | |
|--------------------------|-------------------------|-------------------------|------------------|
| AP00 Not required | AP04 White | AP13 Apple Green | AP22 Blue |
| AP11 Light Gray | AP26 Sesame Gray | AP27 Black | |

Available up to 48". Larger sizes available with visible seams, consult factory.

For accompanying non-illuminating acoustic panels see our Acoustic Circles, Quads and Triangles spec pages.

Other finishes available. Consult factory.

M. EMERGENCY

| | |
|------------------------|-------------------------------------|
| E0 Not required | E2 Emergency system - Remote |
|------------------------|-------------------------------------|

N. CIRCUITS

| | |
|---------------------------|-------------------------|
| CS1 Single Circuit | CS2 Dual circuit |
|---------------------------|-------------------------|



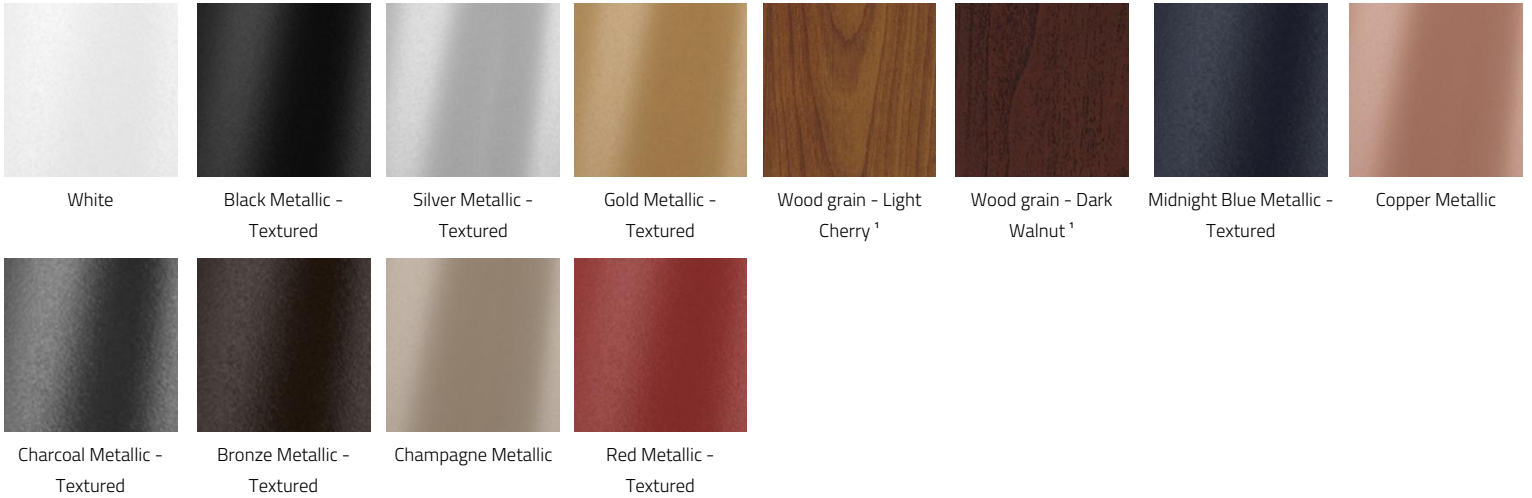
MICRO TRIANGLE II™ - SUSPENDED

TECHNICAL DATA

LUMINAIRE

| | | | | | | |
|------------------------|-----------------|-----------------|-----------------|-----------------|-----------------|-----------------|
| Code | MTTP1P02 | MTTP1P03 | MTTP1P04 | MTTP1P05 | MTTP1P06 | MTTP2P02 |
| Length | 24" | 36" | 48" | 60" | 72" | 24" |
| Light Direction | Direct | Direct | Direct | Direct | Direct | Direct/Indirect |
| Wattage | 20W | 30W | 40W | 50W | 60W | 40W |
| Delivered lms | 2600 | 3900 | 5100 | 6500 | 7800 | 5200 |
| LPW | 129 | 129 | 129 | 129 | 129 | 131 |
| Code | MTTP2P03 | MTTP2P04 | MTTP2P05 | MTTP2P06 | | |
| Length | 36" | 48" | 60" | 72" | | |
| Light Direction | Direct/Indirect | Direct/Indirect | Direct/Indirect | Direct/Indirect | | |
| Wattage | 60W | 80W | 100W | 120W | | |
| Delivered lms | 7900 | 10400 | 13100 | 15700 | | |
| LPW | 131 | 131 | 131 | 131 | | |

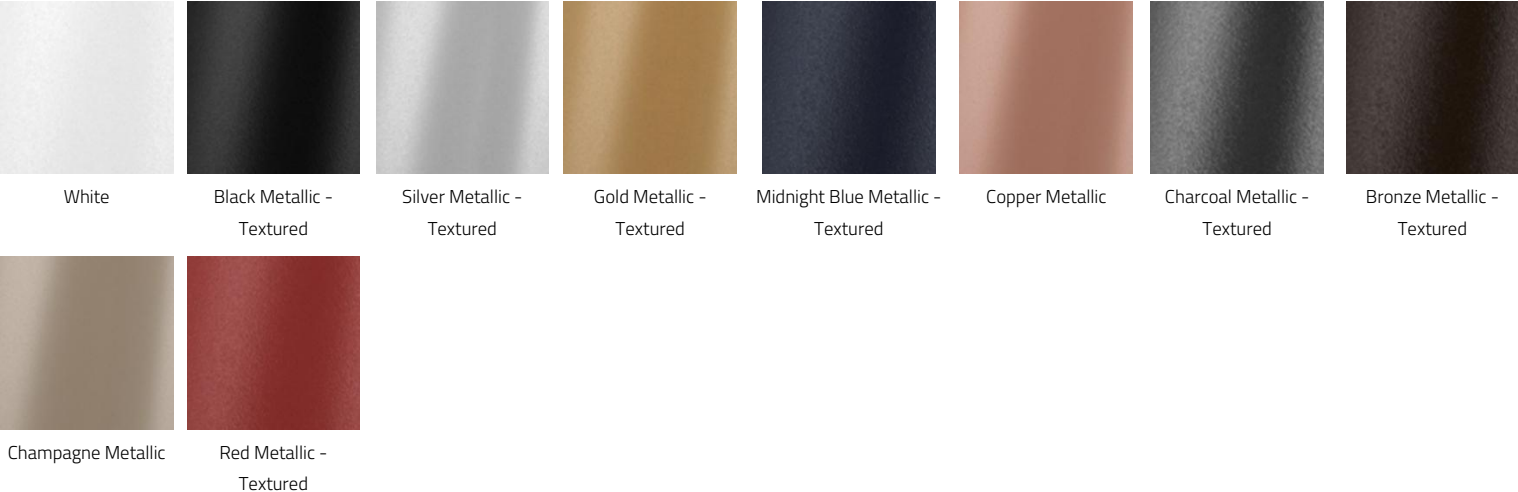
FIXTURE FINISH



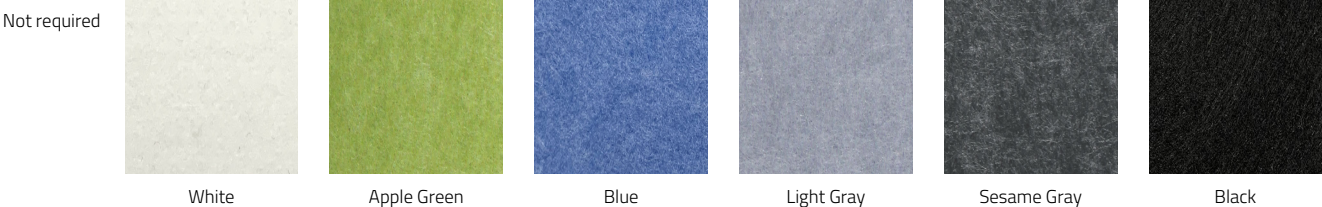
Longer lead times may apply, consult factory.

MICRO TRIANGLE II™ - SUSPENDED

CANOPY FINISH



ACOUSTIC PANEL FINISH



Available up to 48". Larger sizes available with visible seams, consult factory.
 For accompanying non-illuminating acoustic panels see our Acoustic Circles, Quads and Triangles spec pages.
 Other finishes available. Consult factory.

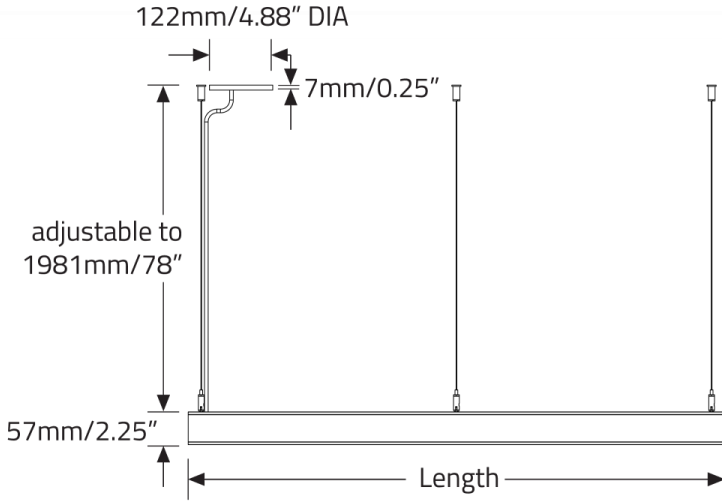
APPROVALS



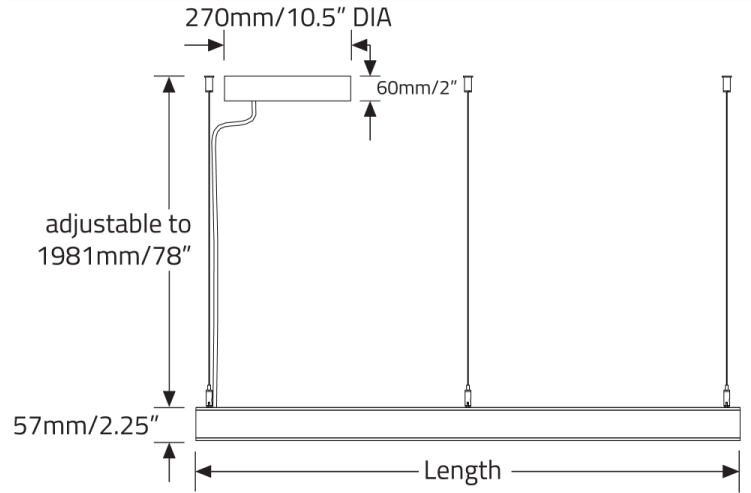
MICRO TRIANGLE II™ - SUSPENDED

DIMENSIONAL DIAGRAMS

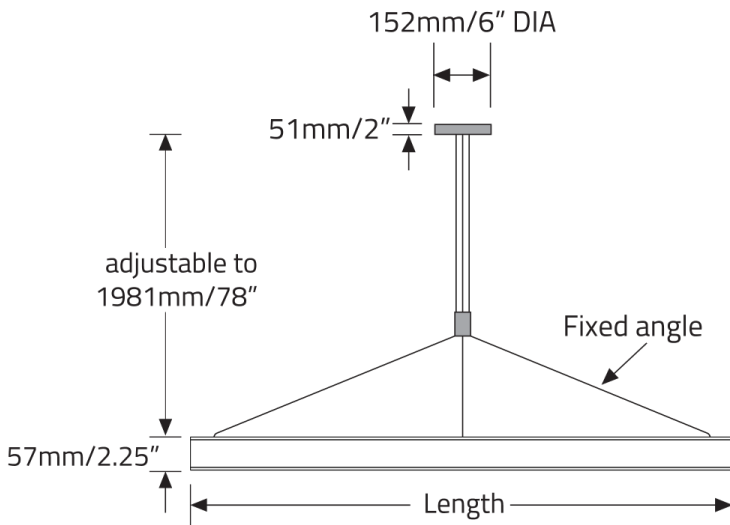
SS1 VERTICAL - REMOTE DRIVER



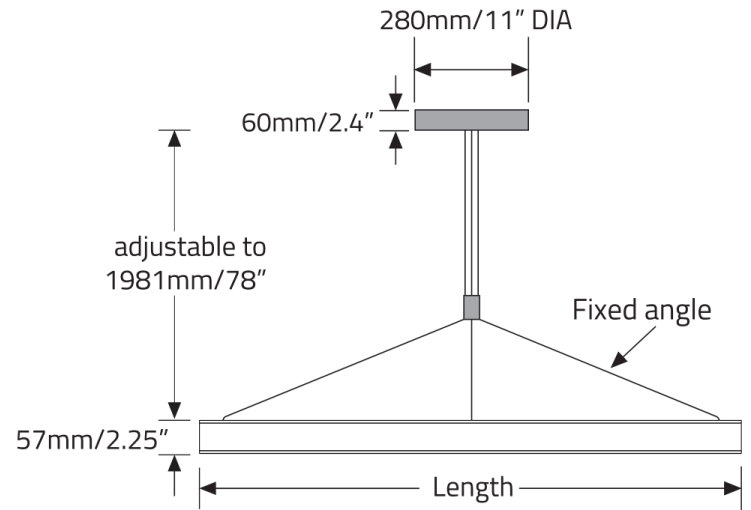
SS3 VERTICAL - INTEGRAL DRIVER



SS2 HUB - REMOTE DRIVER



SS4 HUB - INTEGRAL DRIVER



Direct: Available up to 1219mm/48" DIA only.
Direct/Indirect: Available up to 1219mm/48" DIA only.

Direct: Available up to 1219mm/48" DIA only.
Direct/Indirect: Available up to 1219mm/48" DIA only.

MICRO TRIANGLE II™ - SUSPENDED

SS6 VERTICAL - REMOTE DRIVER

