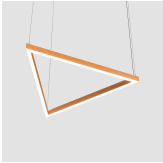


MICRO TRIANGLE II™ - SUSPENDED



Project Name:

Fixture Type:

Fixture Code:

Quantities:

A. LUMINAIRE

MTTP1P02 2ft, Direct 2600 lms

MTTP1P03 3ft, Direct 3900 lms

MTTP1P04 4ft, Direct, 5100 lms

MTTP1P05 5ft, Direct, 6500 lms

MTTP1P06 6ft, Direct, 7800 lms

MTTP2P02 2ft, Direct/Indirect, 5200 lms

MTTP2P03 3ft, Direct/Indirect, 7900 lms

MTTP2P04 4ft, Direct/Indirect, 10400 lms

MTTP2P05 5ft, Direct/Indirect, 13100 lms

MTTP2P06 6ft, Direct/Indirect, 15700 lms

B. LUMENS (DIRECT)

LPF021 215 lm/ft¹

LPF032 320 lm/ft²

LPF043 430 lm/ft³

¹ Based of 50% of total output
² Based on 75% of total output.
³ 100% of total output.

C. LUMENS (INDIRECT)

LPG000 Not required

LPG021 215 lm/ft¹

LPG032 320 lm/ft²

LPG043 430 lm/ft³

¹ Based of 50% of total output.
² Based on 75% of total output.
³ 100% of total output.

D. CRI

CR80 CRI 80+

CR90 CRI 90+

E. CCT (DIRECT)

CTA27 2700K¹

CTA30 3000K

CTA35 3500K

CTA40 4000K

¹ Longer than normal lead times may apply, consult factory.

F. CCT (INDIRECT)

CTB00 Not required

CTB27 2700K¹

CTB30 3000K

CTB35 3500K

CTB40 4000K

¹ Longer than normal lead times may apply, consult factory.

G. VOLTAGE

V1 120/277V

V2 240V¹

V3 347V²

V4 Low Voltage³

¹ Not available in North America.
² Available with DA01 dimming only.
³ Available with DA45 dimming only.

MICRO TRIANGLE II™ - SUSPENDED

H. DIMMING (REMOTE)

DA01 0-10V Dimming 1.0%

DA20 DALI Dimming 0.1%¹

DA21 DALI Dimming 1.0%¹

DA45 PoE²

¹ Not available with V3.

² Available with V4 only.

I. SUSPENSION

SS1 Vertical, Remote driver

SS2 Hub, Remote driver

SS3 Vertical, Driver Integral to Canopy

SS4 Hub, Driver Integral to Canopy

SS6 POS, Vertical, Remote driver

¹ Available up to 48" diameter max.

² MTTP2P05 available with DA01 dimming only. Not available with MTTP2P06.

³ Available in North America only. Max 60W, max 72" long.

MTTP1P05 and MTTP1P06 available with DA01 dimming only.

Not available with MTTP2P05 and MTTP2P06.

J. FIXTURE FINISH

FA01 White

FA02 Black Metallic - Textured

FA20 Silver Metallic - Textured

FA25 Gold Metallic - Textured

FA27 Wood grain - Light Cherry¹

FA28 Wood grain - Dark Walnut¹

FA44 Midnight Blue Metallic - Textured

FA45 Copper Metallic

FA46 Charcoal Metallic - Textured

FA47 Bronze Metallic - Textured

FA52 Champagne Metallic

FA53 Red Metallic - Textured

Longer lead times may apply, consult factory.

K. CANOPY FINISH

CF01 White

CF02 Black Metallic - Textured

CF20 Silver Metallic - Textured

CF25 Gold Metallic - Textured

CF44 Midnight Blue Metallic - Textured

CF45 Copper Metallic

CF46 Charcoal Metallic - Textured

CF47 Bronze Metallic - Textured

CF52 Champagne Metallic

CF53 Red Metallic - Textured

L. ACOUSTIC PANEL FINISH

AP00 Not required

AP04 White

AP13 Apple Green

AP22 Blue

AP11 Light Gray

AP26 Sesame Gray

AP27 Black

Available up to 48". Larger sizes available with visible seams, consult factory.

For accompanying non-illuminating acoustic panels see our Acoustic Circles, Quads and Triangles spec pages.

Other finishes available. Consult factory.

M. EMERGENCY

E0 Not required

E2 Emergency system - Remote

N. CIRCUITS

CS1 Single Circuit

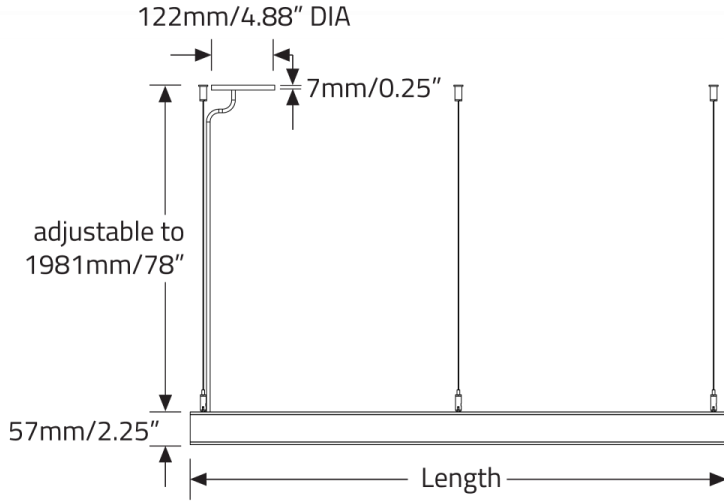
CS2 Dual circuit



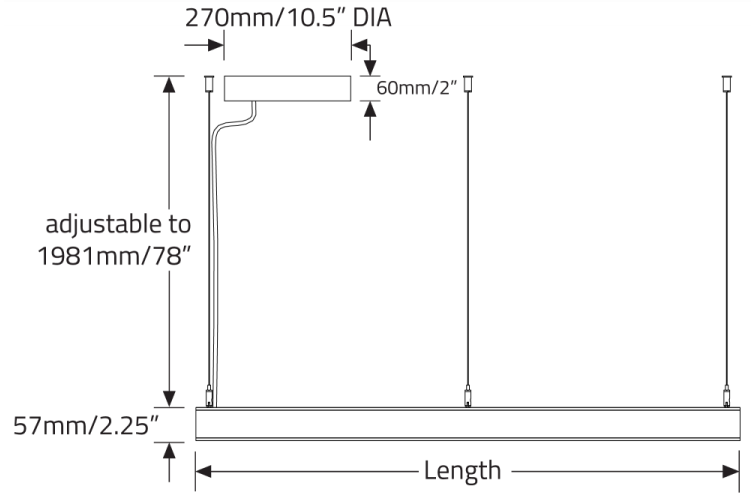
MICRO TRIANGLE II™ - SUSPENDED

DIMENSIONAL DIAGRAMS

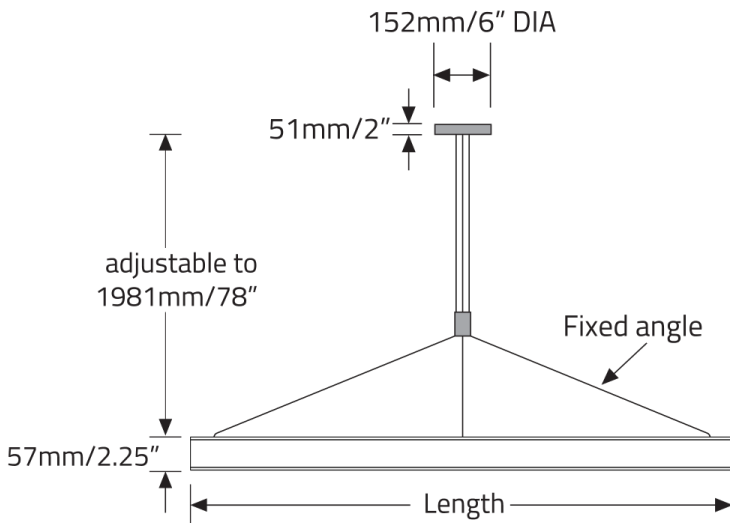
SS1 VERTICAL - REMOTE DRIVER



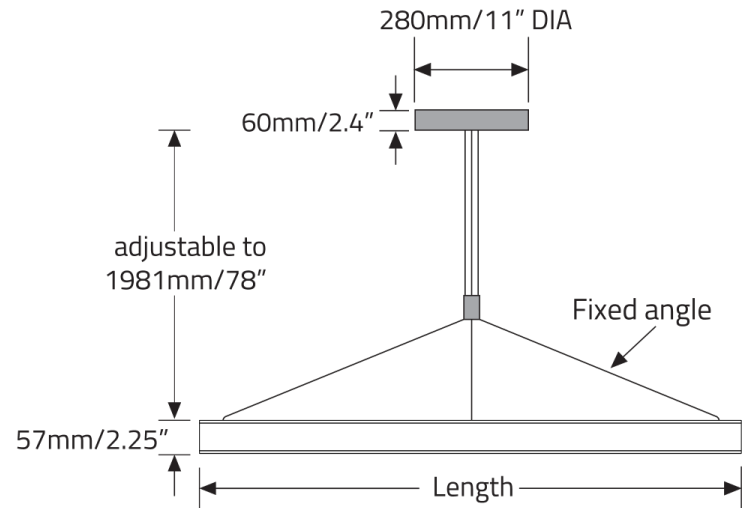
SS3 VERTICAL - INTEGRAL DRIVER



SS2 HUB - REMOTE DRIVER



SS4 HUB - INTEGRAL DRIVER



Direct: Available up to 1219mm/48" DIA only.
Direct/Indirect: Available up to 1219mm/48" DIA only.

Direct: Available up to 1219mm/48" DIA only.
Direct/Indirect: Available up to 1219mm/48" DIA only.

MICRO TRIANGLE II™ - SUSPENDED

SS6 VERTICAL - REMOTE DRIVER

