

# MICRO TRIANGLE SE™ - SUSPENDED

Project Name:

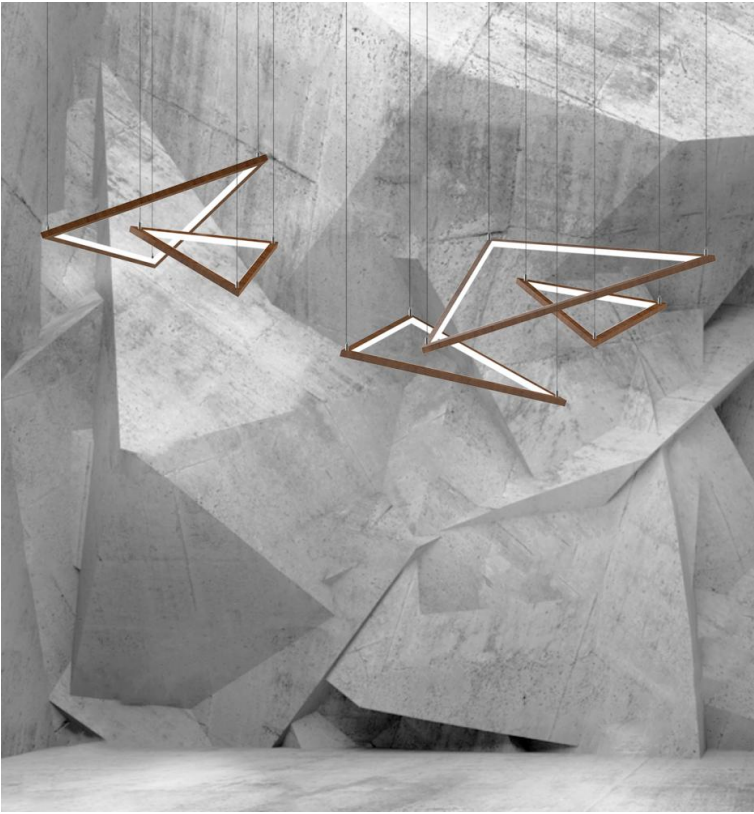
Fixture Type:

Fixture Code:

Quantities:



MICRO TRIANGLE SE™ - SUSPENDED



# MICRO TRIANGLE SE™ - SUSPENDED

The triangle shape is a powerful way to create an edgy and energetic aesthetic. With a super-slim 1" profile and 3 sizes ranging from 2' to 4', **MICRO TRIANGLE SE** is ideal for offsetting symmetrical layouts. The light uniquely emits from the inner side of the frame and can be coordinated with MICRO TRIANGLE II which offers direct/indirect light. For a whimsical style, combine MICRO TRIANGLE with MICRO RING or MICRO QUAD.

## GENERAL SPECIFICATION

### Body

Aluminum, Equilateral Triangle

### Suspension

Stainless steel cables.

### Remote Mounting Of Drivers

Wire size 18 AWG - max distance (from fixture to drivers) 40', wire size 16 AWG - max distance 60', wire size 14 AWG - max distance 90'. Drivers must be accessible after installation.

### PoE

Micro Triangle SE can integrate into your data network via Power over Ethernet (PoE) connectivity.

### Delivered Lumens

Delivered lumens & LPW based on 4000K (min 80 CRI) for White LEDs only.

### Sensors

Consult factory regarding sensor compatibility.

### Reported L70 @25°C (77°F)

> 60,000 hrs.

### Finish

Powder coated for standard finishes (black, Silver Metallic & white).

### Power cable

Silver braided.

### Drivers

HPF electronic drivers for 120-277V (EU-240V). Drivers are either remote mounted or integral to the canopy depending on the size of the fixture.

### Mechanical

Luminaires attached directly to the J box (by others - North America only).

### CRI

Fixture supplied at 80 CRI, 90 CRI available upon request.

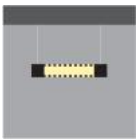
### Diffusers

Frosted acrylic.

### Approvals

Damp Rated.

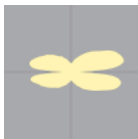
## MOUNTING & OPTICS



Suspended Inside



Acoustic



General Diffuse



Declare



PoE



# MICRO TRIANGLE SE™ - SUSPENDED

## HOW TO ORDER

### A. LUMINAIRE

**984210** 24", Inside, 2321 lms

**984220** 36", Inside, 3633 lms

**984230** 48", Inside, 4799 lms

### B. CCT/COLOR

**27** 2700K (min 80 CRI) <sup>1</sup>

**30** 3000K (min 80 CRI)

**35** 3500K (min 80 CRI)

**40** 4000K (min 80 CRI)

**RD** Red

**GN** Green

**BL** Blue

CR90 (CRI 90+) available upon request, consult factory.

<sup>1</sup> Longer than normal lead times may apply, consult factory.

### C. DIMMING OPTION (REMOTE ONLY)

**D1** 0-10V Dimming 1.0%

**D4** DALI Dimming 0.1%

**D5** DALI Dimming 1.0%

**DA45** PoE

DA45 must be used with EV only.

### D. SUSPENSION

**S1** Vertical, Remote Driver

**S2** Hub, Remote Driver

**S3** Vertical, Driver Integral to Canopy

**S4** Hub, Driver Integral to Canopy

### E. FINISH

**WH** White

**BL** Black Metallic Textured

**MS** Silver Metallic Textured

**Z1** Wood grain - Light Cherry <sup>1</sup>

**Z2** Wood grain - Dark Walnut <sup>1</sup>

**FA25** Gold Metallic - Textured

**FA44** Midnight Blue Metallic - Textured

**FA45** Copper Metallic

**FA46** Charcoal Metallic - Textured

**FA47** Bronze Metallic - Textured

**FA52** Champagne Metallic

**FA53** Red Metallic - Textured

**Note:** The canopy will be white for fixtures with the wood grain finishes Z1 & Z2.

<sup>1</sup> Longer than normal lead times may apply, consult factory.

### F. LUMEN & WATTAGE REDUCTION

**PRO** Lumen & Wattage Reduction to approximately 25% of standard output

**PR1** Lumen & Wattage Reduction to approximately 50% of standard Output

**PR2** Lumen & Wattage Reduction to approximately 75% of standard Output

*PRO not available for 984210. Note: Custom reduction percentages available upon request.*

### G. ACOUSTIC PANEL COLOR

**AP00** Not required

**AP04** White

**AP13** Apple Green

**AP22** Blue

**AP11** Light Gray

**AP26** Sesame Gray

**AP27** Black

### H. OPTIONAL LOW VOLTAGE

**EV** Low Voltage

To be used with DA45 only.



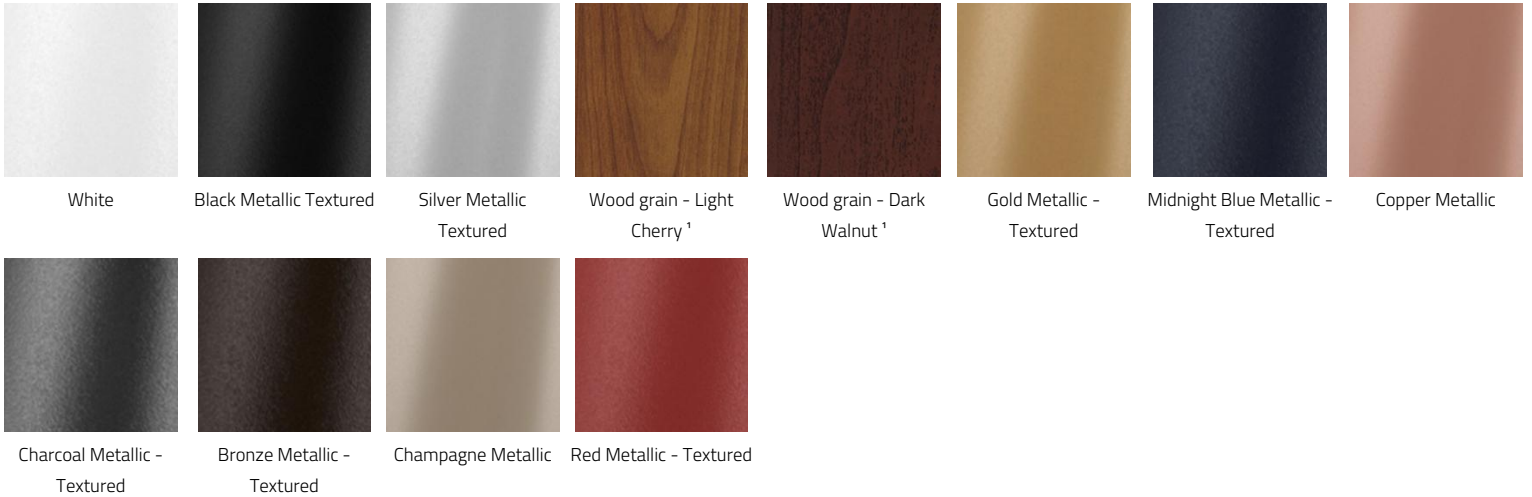
# MICRO TRIANGLE SE™ - SUSPENDED

## TECHNICAL DATA

### LUMINAIRE

Code	984210	984220	984230
Length	24"	36"	48"
Power (LED)	20W	30W	40W
Light Direction	Inside	Inside	Inside
Delivered lms	2321	3633	4799
LPW	116	122	120

## FINISH

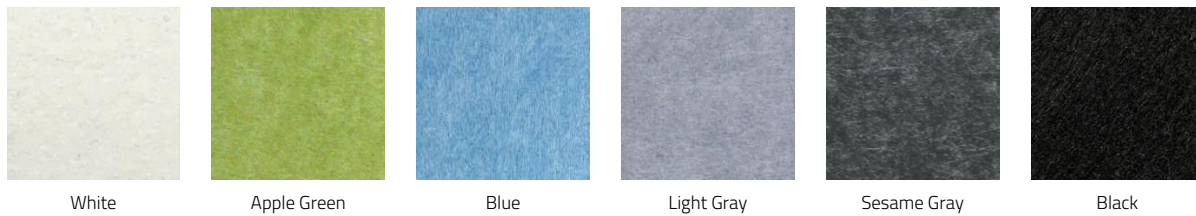


**Note:** The canopy will be white for fixtures with the wood grain finishes Z1 & Z2.

<sup>1</sup> Longer than normal lead times may apply, consult factory.

## ACOUSTIC PANEL COLOR

Not required



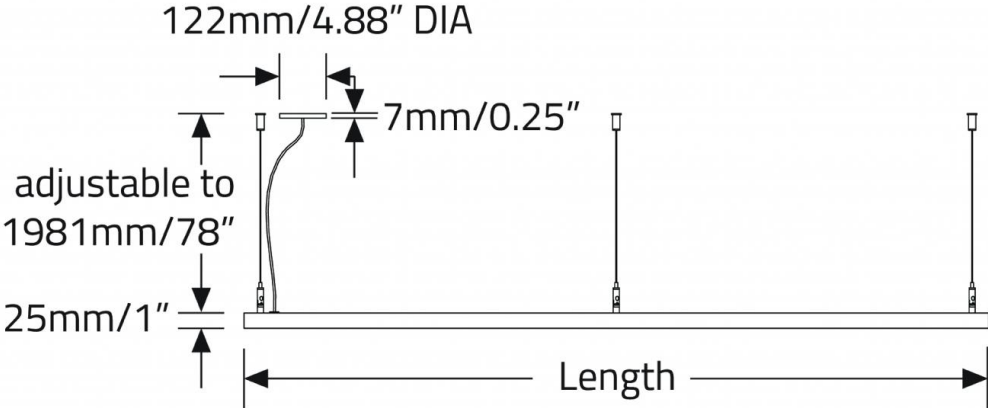
## APPROVALS



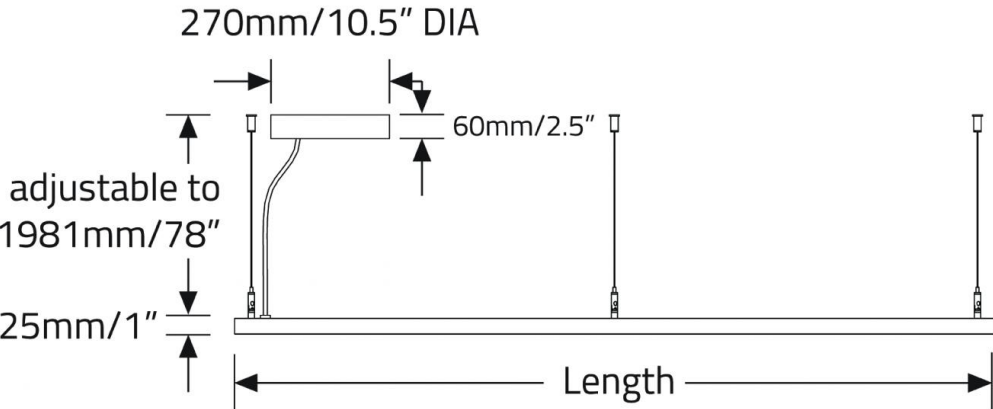
# MICRO TRIANGLE SE™ - SUSPENDED

## DIMENSIONAL DIAGRAMS

S1 VERTICAL - REMOTE DRIVER

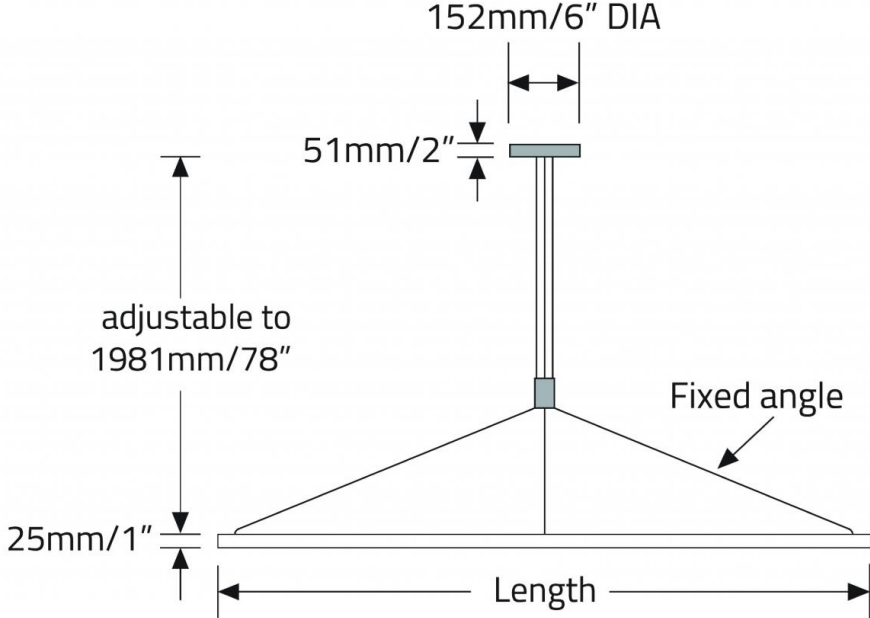


S3 VERTICAL - INTEGRAL DRIVER

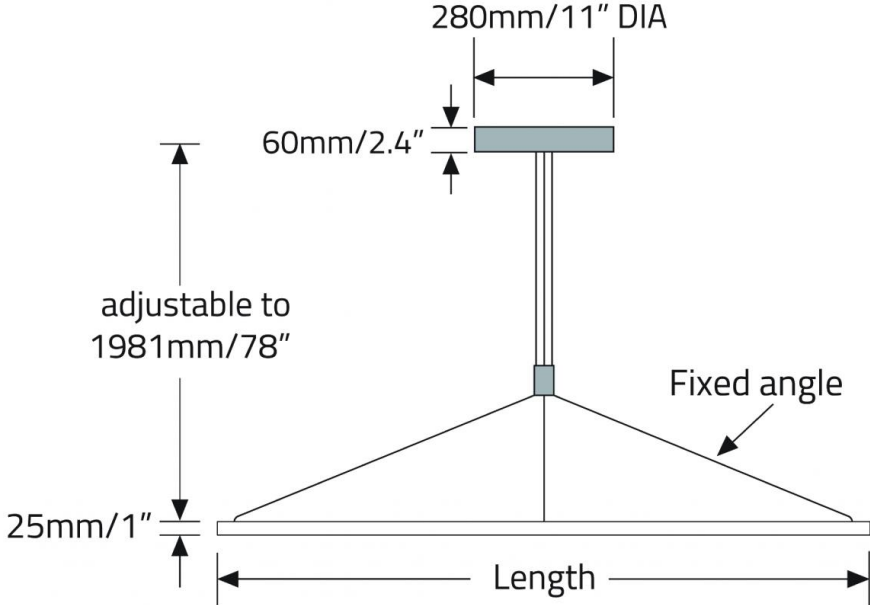


# MICRO TRIANGLE SE™ - SUSPENDED

## S2 HUB - REMOTE DRIVER



## S4 HUB - INTEGRAL DRIVER



MICRO TRIANGLE SE™ - SUSPENDED

