

MICRO TRIANGLE SE™ - SUSPENDED



Project Name:

Fixture Type:

Fixture Code:

Quantities:

A. LUMINAIRE

984210 24", Inside, 2321 lms

984220 36", Inside, 3633 lms

984230 48", Inside, 4799 lms

B. CCT/COLOR

27 2700K (min 80 CRI) ¹

30 3000K (min 80 CRI)

35 3500K (min 80 CRI)

40 4000K (min 80 CRI)

RD Red

GN Green

BL Blue

CR90 (CRI 90+) available upon request, consult factory.

¹ Longer than normal lead times may apply, consult factory.

C. DIMMING OPTION (REMOTE ONLY)

D1 0-10V Dimming 1.0%

D4 DALI Dimming 0.1%

D5 DALI Dimming 1.0%

DA45 PoE

DA45 must be used with EV only.

D. SUSPENSION

S1 Vertical, Remote Driver

S2 Hub, Remote Driver

S3 Vertical, Driver Integral to Canopy

S4 Hub, Driver Integral to Canopy

E. FINISH

WH White

BL Black Metallic Textured

MS Silver Metallic Textured

Z1 Wood grain - Light Cherry ¹

Z2 Wood grain - Dark Walnut ¹

FA25 Gold Metallic - Textured

FA44 Midnight Blue Metallic - Textured

FA45 Copper Metallic

FA46 Charcoal Metallic - Textured

FA47 Bronze Metallic - Textured

FA52 Champagne Metallic

FA53 Red Metallic - Textured

Note: The canopy will be white for fixtures with the wood grain finishes Z1 & Z2.

¹ Longer than normal lead times may apply, consult factory.

F. LUMEN & WATTAGE REDUCTION

PRO Lumen & Wattage Reduction to approximately 25% of standard output

PR1 Lumen & Wattage Reduction to approximately 50% of standard Output

PR2 Lumen & Wattage Reduction to approximately 75% of standard Output

PRO not available for 984210. Note: Custom reduction percentages available upon request.

G. ACOUSTIC PANEL COLOR

AP00 Not required

AP04 White

AP13 Apple Green

AP22 Blue

AP11 Light Gray

AP26 Sesame Gray

AP27 Black

H. OPTIONAL LOW VOLTAGE

EV Low Voltage

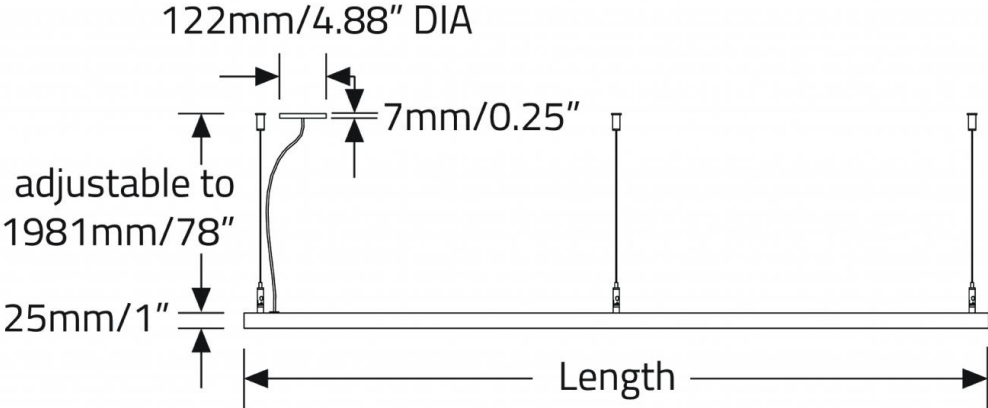
To be used with DA45 only.



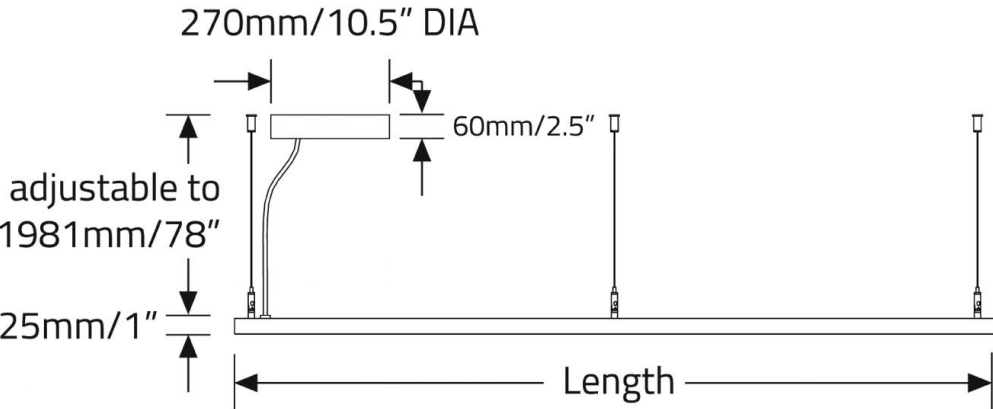
MICRO TRIANGLE SE™ - SUSPENDED

DIMENSIONAL DIAGRAMS

S1 VERTICAL - REMOTE DRIVER

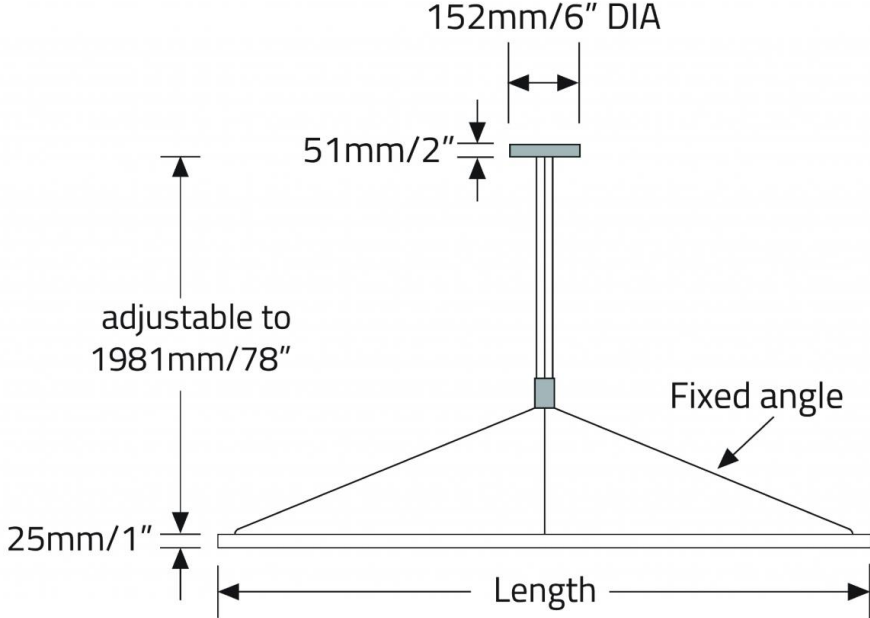


S3 VERTICAL - INTEGRAL DRIVER

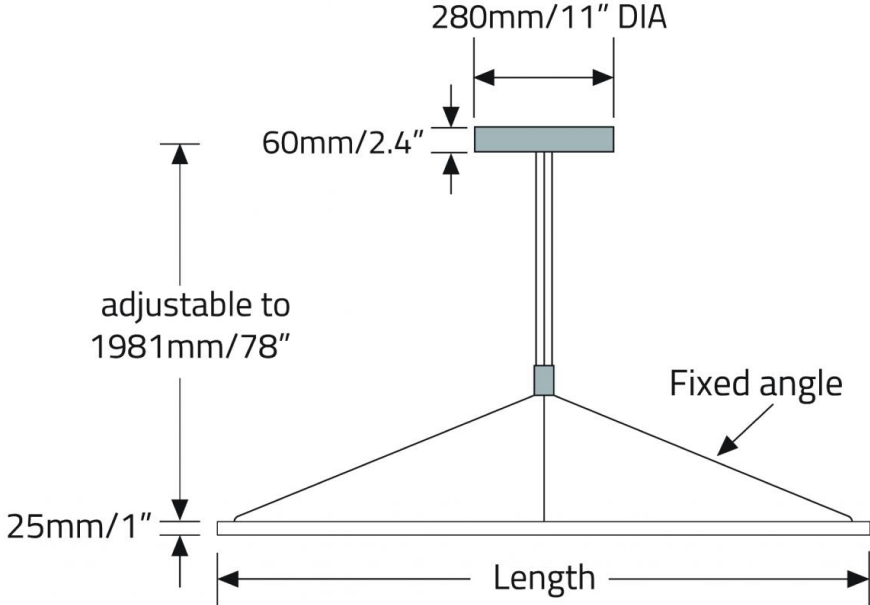


MICRO TRIANGLE SE™ - SUSPENDED

S2 HUB - REMOTE DRIVER



S4 HUB - INTEGRAL DRIVER



MICRO TRIANGLE SE™ - SUSPENDED

