



MIDI ARC RING™

FULL SPECIFICATION SHEET



FIXTURE TYPE



FIXTURE CODE



QUANTITIES

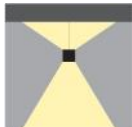
1 DESCRIPTION

The gently curved edge of **MIDI ARC RING** reinterprets the classic ring shape, introducing a refined twist that enhances visual character and brings a softer profile within architectural spaces. Its smoothly contoured form delivers a distinctly modern appeal while maintaining a welcoming, elegant presence. Designed for versatility, this luminaire stands out as a focal point or blends harmoniously with its environment, offering both style and function. The versatility of being able to create a custom cluster with different size combinations enables you to create truly unique spaces.

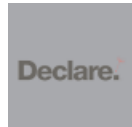
2 OPTICS & FEATURES



Suspended
Direct



Suspended
Direct/Indirect



Declare



PoE

3 APPROVALS



4 GENERAL SPECIFICATION

FINISH

Powder coated or polished.

POWER CABLE

Silver braided.

REMOTE EMERGENCY

Emergency option provides a 1.5 hour (3hours for EU) emergency lighting facility. The remote system includes the inverter module, NiCad batteries and a remote wall/ceiling LED charge indicator and test switch. Maximum distance between wall/ceiling plate and luminaire is 15' (4.5m). Test switch fits a single gang box (not supplied).

DRIVERS

HPF electronic drivers for 120-277V (EU-240V). Drivers are either remote mounted or integral to the canopy depending on the size of the fixture.

MECHANICAL

Luminaires mount directly over J box (by others).

SENSORS

Consult factory regarding sensor compatibility.

APPROVALS

Damp Rated.

SEISMIC BRACING

Seismic bracing kits are available to meet compliance requirements. Consult the factory for details.

SUSPENSION

Steel cables.

LENS

Opal acrylic.

REMOTE MOUNTING OF DRIVERS

Wire size 18 AWG - max distance (from fixture to drivers) 40' (12.2m), wire size 16 AWG - max distance 60' (18.3m), wire size 14 AWG - max distance 90' (27.4m). Drivers must be accessible after installation. For longer remote distances, consult factory.

POE

Midi Arch Ring can integrate into your data network via Power over Ethernet (PoE) connectivity.

DELIVERED LUMENS

Delivered lumens & LPW based on 4000K CRI 80+

L70 @25°C(77°F)

> 60,000 hrs.

DESIGN

US Pat. No. D898,979.

SUSTAINABILITY

Designed for on-site LED board, driver, and optic replacement. Contact the factory for maintenance documentation.

5 DESIGN OPTIONS

FIXTURE FINISH



CANOPY FINISH



6 HOW TO ORDER

1. LUMINAIRE

- MARP1P04** 48" Direct, 4100 lms
- MARP1P05** 60" Direct, 5100 lms
- MARP1P06** 72" Direct, 6100 lms
- MARP1P07** 84" Direct, 7200 lms
- MARP2P04** 48" Direct/Indirect, 8200 lms
- MARP2P05** 60" Direct/Indirect, 10200 lms
- MARP2P06** 72" Direct/Indirect, 12200 lms
- MARP2P07** 84" Direct/Indirect, 14400 lms

Lumens shown are at max value.

2. LUMENS (DIRECT)

LPF015 150 lms/ft ¹ **LPF022** 225 lms/ft ² **LPF030** 300 lms/ft ³

¹ Based on 50% of total output. ² Based on 75% of total output. ³ 100% of total output

3. LUMENS (INDIRECT)

LPG000 Not required **LPG015** 150 lms/ft ¹ **LPG022** 225 lms/ft ² **LPG030** 300 lms/ft ³

Values shown are nominal.

¹ Based on 50% of total output. ² Based on 75% of total output. ³ 100% of total output.

4. CRI

CR80 CRI 80+ **CR90** CRI 90+

5. CCT (DIRECT)

CTA27 2700K **CTA30** 3000K **CTA35** 3500K **CTA40** 4000K

6. CCT (INDIRECT)

CTB00 Not required **CTB27** 2700K **CTB30** 3000K **CTB35** 3500K
CTB40 4000K

7. VOLTAGE

V1 120/277V **V2** 240V ¹

¹ Not available in North America.

8. SUSPENSION

SS1 Vertical, Remote driver **SS2** Hub, Remote driver ^{1 2} **SS3** Vertical, Driver Integral to Canopy ² **SS4** Hub, Driver Integral to Canopy ^{1 2}

¹ Not available with MARP1P06 and MARP1P07. ² Not available with MARP2P06 and MARP2P07.

9. DIMMING

DA01 0-10V Dimming 1.0% **DA02** 0-10V Dimming 0.1% ¹ **DA20** DALI Dimming 0.1% ¹ **DA21** DALI Dimming 1.0% ¹
DA30 DSI/switchDim ²

¹ Not available with MARP2P05, MARP2P06 and MARP2P07. ² Not available in North America.

10. FIXTURE FINISH

FA56 White - Gloss	FA01 White	FA02 Black Metallic - Textured	FA20 Silver Metallic - Textured
FA25 Gold Metallic - Textured	FA42 Polished Aluminum - Mirror finish	FA44 Midnight Blue Metallic - Textured	FA45 Copper Metallic
FA46 Charcoal Metallic - Textured	FA47 Bronze Metallic - Textured	FA52 Champagne Metallic	FA53 Red Metallic - Textured

11. CANOPY FINISH

CF56 White - Gloss	CF01 White	CF02 Black Metallic - Textured	CF20 Silver Metallic - Textured
CF25 Gold Metallic - Textured	CF44 Midnight Blue Metallic - Textured	CF45 Copper Metallic	CF46 Charcoal Metallic - Textured
CF47 Bronze Metallic - Textured	CF52 Champagne Metallic	CF53 Red Metallic - Textured	

12. EMERGENCY

E0 Not required	E2 Emergency system - Remote
------------------------	-------------------------------------

13. CIRCUIT

CS1 Single circuit	CS2 Dual circuit
---------------------------	-------------------------

7 TECHNICAL DATA

LUMINAIRE

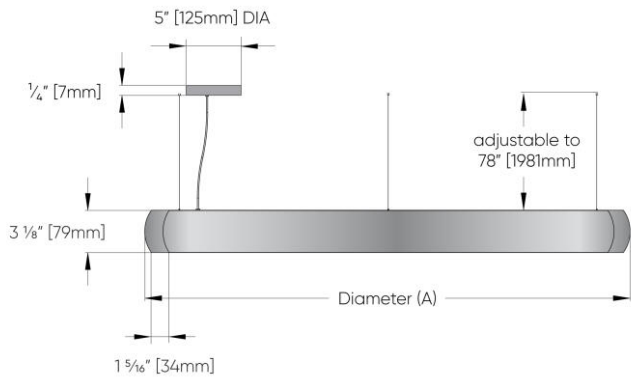
Lumens shown are at max value.

Code	MARP1P04	MARP1P05	MARP1P06	MARP1P07	MARP2P04	MARP2P05
Diameter (A)	48"	60"	72"	84"	48"	60"
Lm/ft Down	300	300	300	300	300	300
Lm/ft Up					300	300
Lms Down	4100	5100	6100	7200	4100	5100
Lms Up					4100	5100
Wattage	40W	54W	64W	76W	86W	108W
LPW	95	95	95	95	95	95
Suspension Points	3	3	4	4	3	3

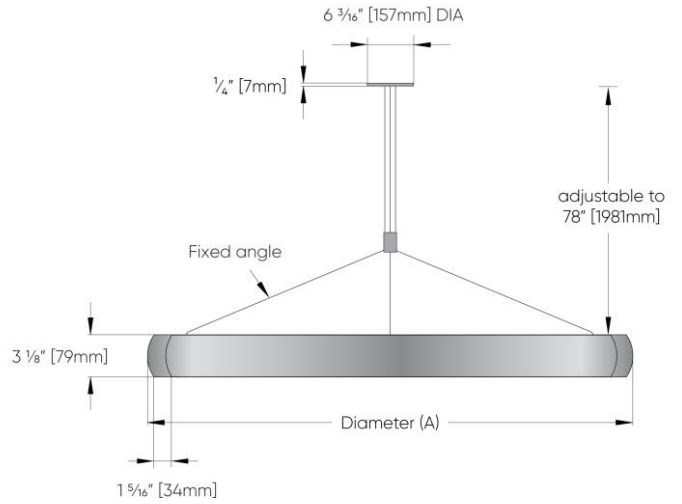
Code	MARP2P06	MARP2P07
Diameter (A)	72"	84"
Lm/ft Down	300	300
Lm/ft Up	300	300
Lms Down	6100	7200
Lms Up	6100	7200
Wattage	128W	152W
LPW	95	95
Suspension Points	4	4

8 DIMENSIONAL DIAGRAMS

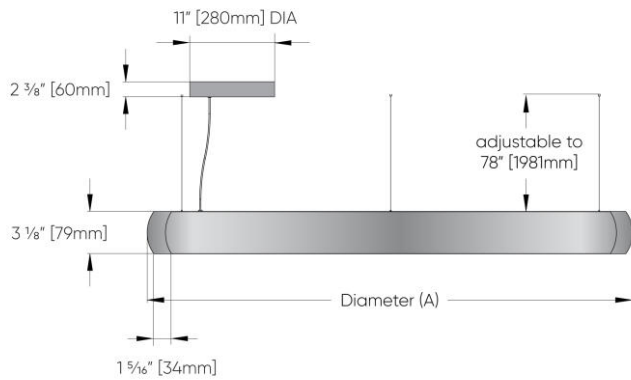
SS1
 Vertical - Remote Driver



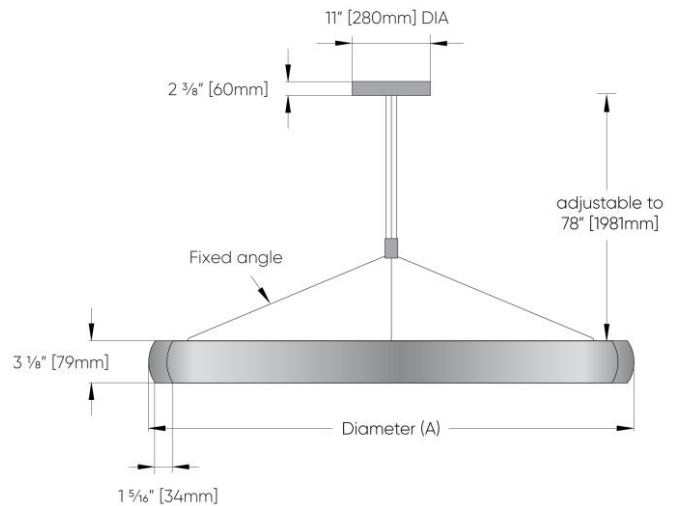
SS2
 Hub - Remote Driver

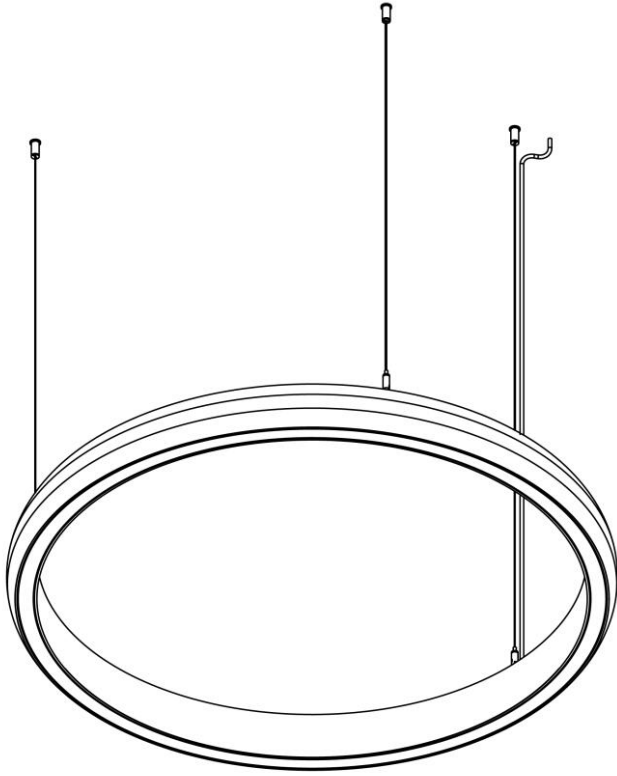


SS2
 Hub - Remote Driver

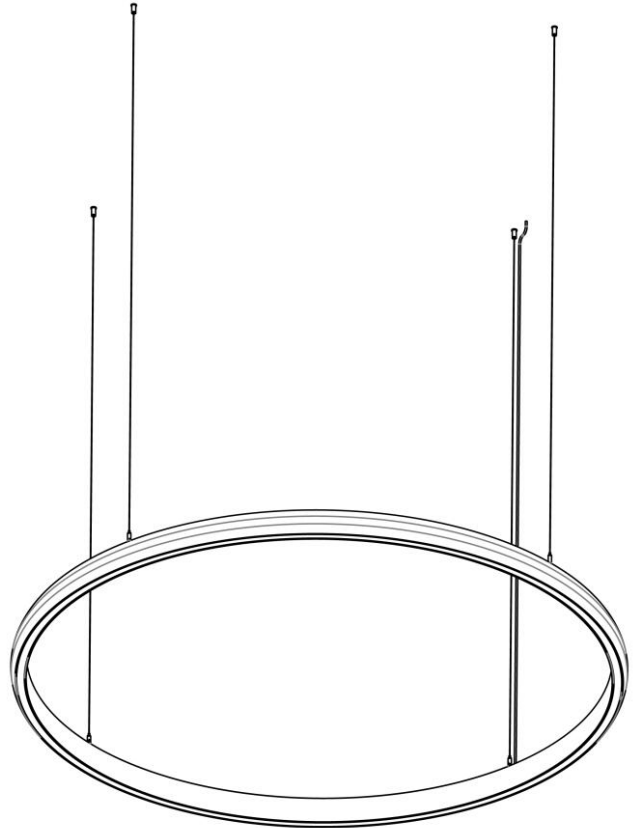


SS4
 Hub - Integral Driver





ISOMETRIC VIEW - 3 Suspension Points
48" [1219mm]
60" [1524mm]



ISOMETRIC VIEW - 4 Suspension Points
72" [1829mm]
84" [2134mm]