



OOOOH QUAD™

FULL SPECIFICATION SHEET



Fixture Type

Fixture Code

Quantities

1 DESCRIPTION

OOOOH dazzles up traditional linear lighting concepts with an innovative louver system. An array of ellipses is incurved to conform to a tunnel-shaped profile creating a subtle aesthetic and sublime lighting effect. The louver system not only tempers the starkness of the commonly exposed diffuser and adds an enchanting decorative feature, but also offers visual comfort by minimizing glare. The injection-molded louvers come in 5 finishes: Black for the highest glare control, White for higher reflectance and performance, and for an interior design enhancement, satinized finishes Satin Chrome, Satin Gold, and Satin Champagne. Build a continuous lighting plan with the new Systems option.

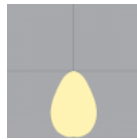
2 MOUNTING & OPTICS



Suspended
Direct



Suspended
Direct/Indirect



Direct DD4



Indirect UD1



Declare



PoE

3 APPROVALS



4 GENERAL SPECIFICATION

BODY

Aluminum.

FINISH

Powder coated.

SUSPENSION

Steel cables.

INTEGRAL EMERGENCY SYSTEM

Emergency option provides a 1.5 hour (3 hours for EU) emergency lighting facility. The self contained system includes the inverter module, NiCad batteries, LED charge indicator and test switch (NA only). Not available with a 347V supply.

POE

Can integrate into your data network via Power over Ethernet (PoE) connectivity.

MECHANICAL

Luminaires mount directly over J box (by others - North America only).

TUNABLE WHITE

Tunable White range from 2700K to 6500K is available; contact the factory for details.

REPORTED L70 @25°C (77°F)

> 60,000 hrs @ 2000 lumens/ft (6000 lumens/m)

DELIVERED LUMENS

Delivered lumens & LPW based on 4000K, CRI 80+.

DESIGNED BY

Serge Cornelissen.

POWER CABLE

Silver braided.

DRIVERS

HPF electronic drivers for 120-277V, 347V (EU-240V). The driver is integral to the fixture housing.

Diffusers

Opal acrylic.

DIFFUSER

Opal acrylic. 2.4" width.

SENSORS

Compatible with Avi-On, Casambi, Enlighted, Lutron Vive, nLight, NX Lighting Controls, Osram, Philips, and others. Consult factory.

RGBW

RGBW available, consult factory.

ESTIMATED L70 @25°C (77°F)

>165,000 hrs @ 2000 lumens/ft (6000 lumens/m)

APPROVALS

Damp Rated.

DESIGN

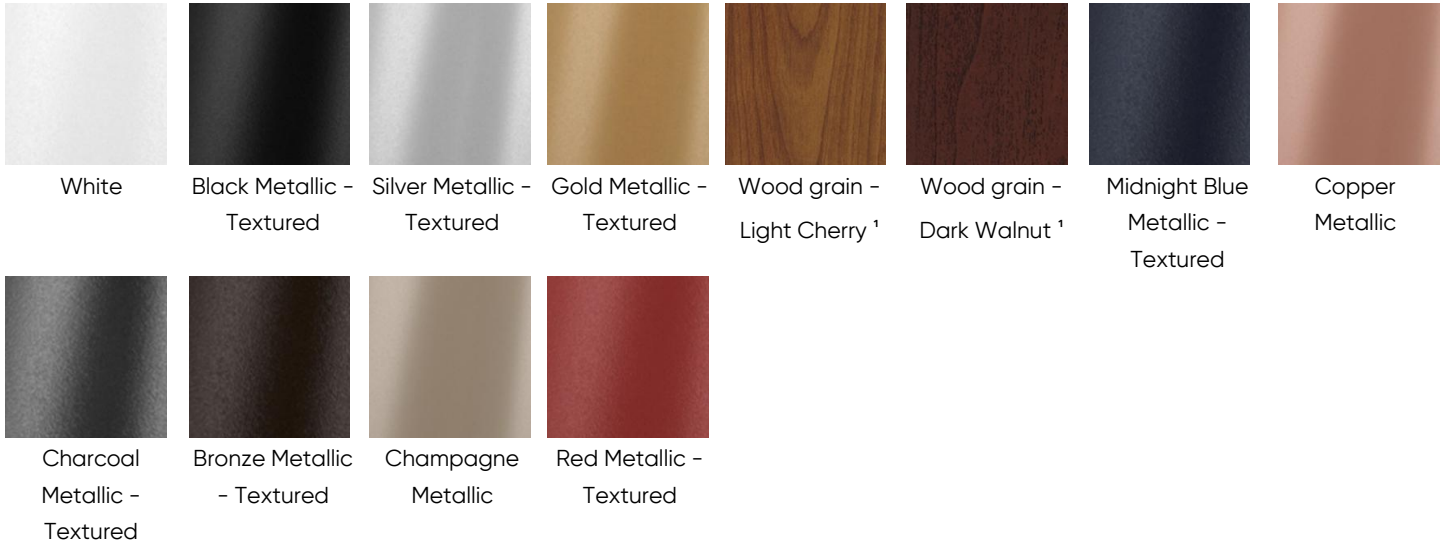
US Pat. No. D969,395.

5 DESIGN OPTIONS

LOUVER

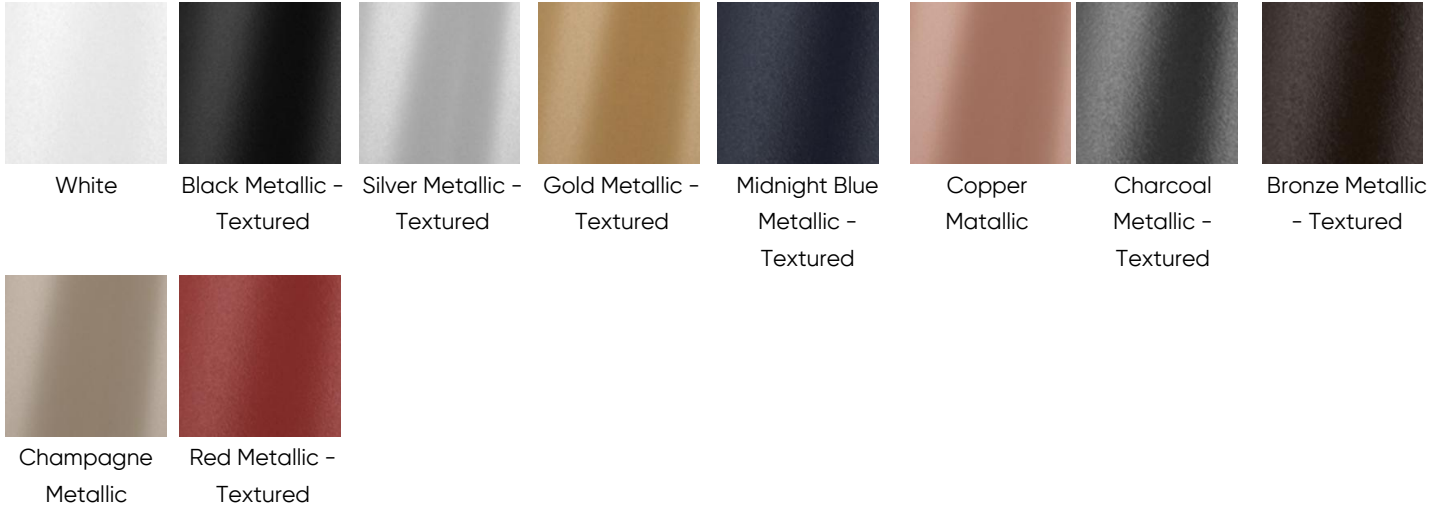


FIXTURE FINISH



¹ Longer than normal lead times may apply, consult factory.

CANOPY FINISH



6 HOW TO ORDER

A. LUMINAIRE

HLNQ1P01 29" Sq, Direct	HLNQ1P02 53" Sq, Direct	HLNQ1P05 29" x 53", Direct	HLNQ2P01 29" Sq, Direct/Indirect
HLNQ2P02 53" Sq, Direct/Indirect	HLNQ2P05 29" x 53", Direct/Indirect		

For larger sizes, refer to Oooh Systems.
One power cord for every 50 linear ft.

B. LOUVER

LV2 Black	LV3 White	LV4 Satin Chrome	LV6 Satin Gold
LV9 Satin Champagne			

C. LUMENS/FT (DIRECT)

LPF010 100 lm/ft	LPF020 200 lm/ft ¹	LPF030 300 lm/ft ²	LPF040 400 lm/ft ³
LPF050 500 lm/ft	LPF060 600 lm/ft	LPF070 700 lm/ft	LPF080 800 lm/ft
LPF100 1000 lm/ft	LPF120 1200 lm/ft		

Lumens/ft are determined by the color of the Louver. Consult website for available lumens/ft based on selected louver.

D. LUMENS/FT (INDIRECT)

LPG000 Not required	LPG025 250 lm/ft	LPG050 500 lm/ft	LPG075 750 lm/ft
LPG100 1000 lm/ft	LPG120 1200 lm/ft	LPG160 1600 lm/ft	

E. CRI

CR80 CRI 80+

CR90 CRI 90+

F. CCT (DIRECT)

CTA30 3000K

CTA35 3500K

CTA40 4000K

CCT (INDIRECT)

CTB00 Not required

CTB27 2700K

CTB30 3000K

CTB35 3500K

CTB40 4000K

G. DIRECT DIFFUSER

DD4 Comfort diffuser

¹ High output diffuser, all data shown based on this diffuser.

² 5% reduction from DD3. The Comfort lens provides better control and softer distribution.

H. INDIRECT DIFFUSER

UD0 Not required

UD1 Clear diffuser (Batwing)

I. BLACKOUT PLATE

UB00 Not required

UB_ _ Blackout plate ¹

¹ Available on a per foot basis. May be required to prevent lighting up duct work in a loft type application.

J. VOLTAGE

V1 120/277V

V2 240V ¹

V3 347V ²

V4 Low Voltage ³

¹ Not available in North America.

² Available with DA01 dimming only.

³ Available with DA45 dimming only.

K. DIMMING (REMOTE)

DA01 0–10V Dimming 1.0% ¹	DA02 0–10V Dimming 0.1% ¹	DA20 DALI Dimming 0.1% ^{1 2}	DA21 DALI Dimming 1.0% ^{1 2}
DA30 DSI/switchDim	DA45 PoE ³		

¹ Not available with V3.

² Available with V4 only.

L. CEILING TYPE

G1 Grid ceiling ¹	H1 Hard ceiling ²
-------------------------------------	-------------------------------------

The cost of canopies, power cables, connection mechanisms and endcaps for the fixture has been added to these items.

¹ Combo kit provided includes installation to T-bar and through tile mount.

² Designed for drywall ceilings.

M. SUSPENSION

HLA03 3ft cable suspension	HLA06 6ft cable suspension	HLA09 9ft cable suspension
-----------------------------------	-----------------------------------	-----------------------------------

N. FIXTURE FINISH

FA01 White	FA02 Black Metallic - Textured	FA20 Silver Metallic - Textured	FA25 Gold Metallic - Textured
FA27 Wood grain - Light Cherry ¹	FA28 Wood grain - Dark Walnut	FA44 Midnight Blue Metallic - Textured	FA45 Copper Metallic
FA46 Charcoal Metallic - Textured	FA47 Bronze Metallic - Textured	FA52 Champagne Metallic	FA53 Red Metallic - Textured

¹ Longer than normal lead times may apply, consult factory.

O. CANOPY FINISH

CF01 White	CF02 Black Metallic - Textured	CF20 Silver Metallic - Textured	CF25 Gold Metallic - Textured
CF44 Midnight Blue Metallic - Textured	CF45 Copper Metallic	CF46 Charcoal Metallic - Textured	CF47 Bronze Metallic - Textured
CF52 Champagne Metallic	CF53 Red Metallic - Textured		

P. EMERGENCY

E0 Not required **E1** Emergency system - Integral ¹ **E3** Emergency generator circuit ¹

¹ Available upon request, consult factory for details. Not available in 347V.

Q. CIRCUITS

CS1 Single circuit **CS2** Dual circuit

R. SENSORS

7 PERFORMANCE DATA

DIRECT COMFORT (DD4) – WHITE LOUVER

	LUMEN/FT	WATT/FT	LPW
	1300	13	106
	1200	11	108
	1000	9	110
	800	7	114
	700	6	115
	600	5	117
	500	4	119
	400	3	121
	300	3	126
	200	2	128

DIRECT COMFORT (DD4) – BLACK LOUVER

	LUMEN/FT	WATT/FT	LPW
	700	13	57
	600	11	58
	500	9	59
	400	7	61
	300	5	63
	200	3	65

DIRECT COMFORT (DD4) – SATIN CHROME LOUVER

	LUMEN/FT	WATT/FT	LPW
	1000	13	84
	800	9	87
	700	9	89
	600	7	90
	500	5	93
	400	4	95
	300	3	95
	200	2	98

DIRECT COMFORT (DD4) – SATIN GOLD LOUVER

	LUMEN/FT	WATT/FT	LPW
	1000	13	82
	800	9	85
	700	9	87
	600	7	88
	500	5	91
	400	4	93
	300	3	93
	200	2	96

DIRECT COMFORT (DD4) – SATIN CHAMPAGNE LOUVER

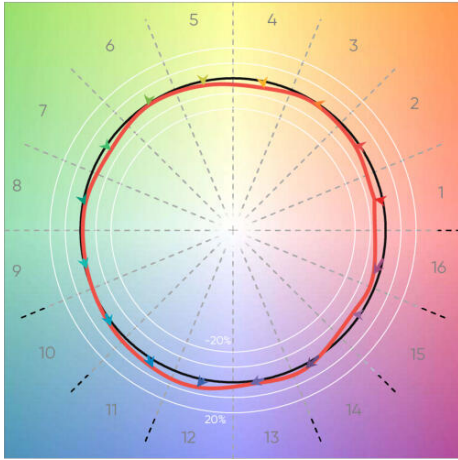
	LUMEN/FT	WATT/FT	LPW
	1000	13	84
	800	9	87
	700	9	89
	600	7	90
	500	5	93
	400	4	95
	300	3	95
	200	2	98

INDIRECT BATWING (UD1)

	LUMEN/FT	WATT/FT	LPW
	1650	13	133
	1400	10	138
	1200	9	141
	1000	7	145
	800	6	147
	600	4	151
	400	3	154
	200	1	154

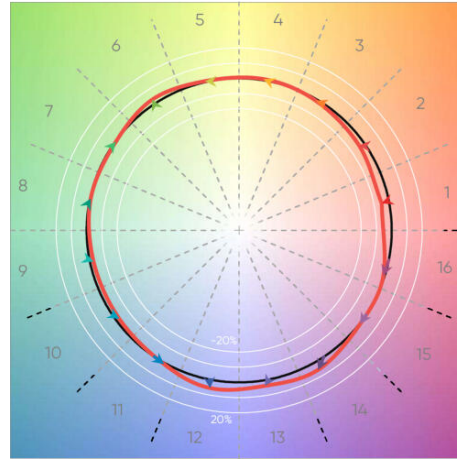
8 TM-30 DATA

CCT 2700K



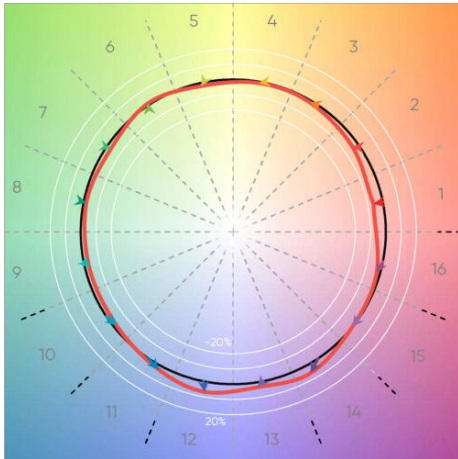
CRI(Ra)	93
CRI(R9)	61
TM30(Rf)	91
TM30(Rg)	98
Duv	-0.0022

CCT 3000K



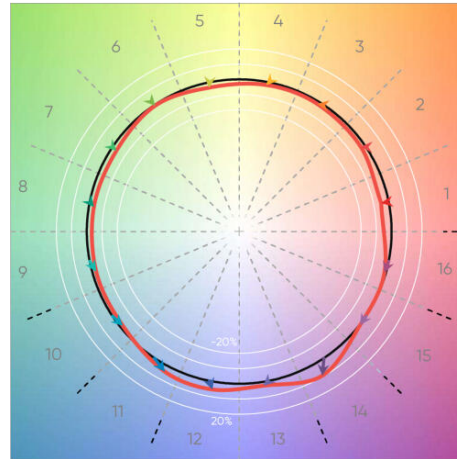
CRI(Ra)	92
CRI(R9)	58
TM30(Rf)	92
TM30(Rg)	100
Duv	-0.0003

CCT 3500K



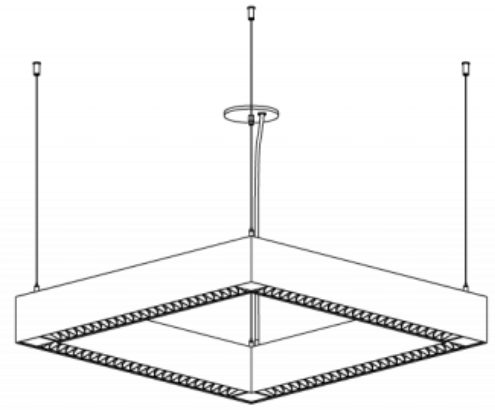
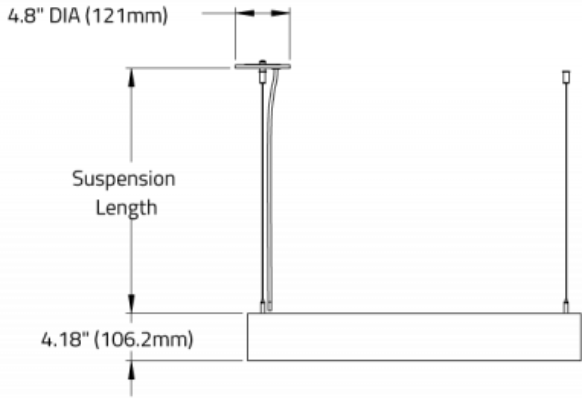
CRI(Ra)	91
CRI(R9)	53
TM30(Rf)	90
TM30(Rg)	99
Duv	-0.0007

CCT 4000K

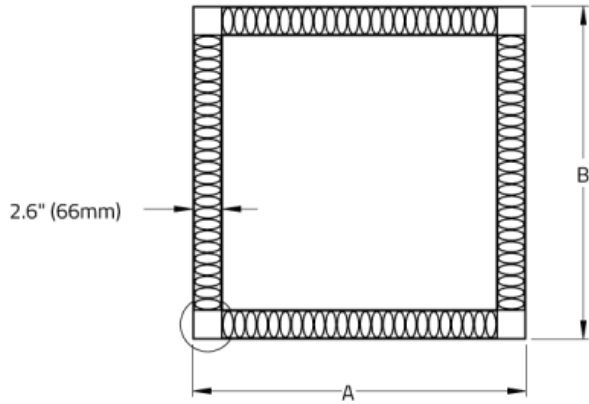


CRI(Ra)	93
CRI(R9)	64
TM30(Rf)	90
TM30(Rg)	98
Duv	0.0000

9 DIMENSIONAL DIAGRAMS



ISOMETRIC BOTTOM VIEW



Luminaire	A	B
HLNQ1P01/HLNQ2P01	29.19" (741.4mm)	29.19" (741.4mm)
HLNQ1P02/HLNQ2P02	53.19" (1351.0mm)	53.19" (1351.0mm)
HLNQ1P05/HLNQ2P05	29.19" (741.4mm)	53.19" (1351.0mm)