

0000H QUAD™ - SUSPENDED

Project Name:

Fixture Type:

Fixture Code:

Quantities:

A. LUMINAIRE

HLNQ1P01 29" Sq, Direct

HLNQ1P02 53" Sq, Direct

HLNQ1P05 29" x 53", Direct

HLNQ2P01 29" Sq, Direct/Indirect

HLNQ2P02 53" Sq, Direct/Indirect

HLNQ2P05 29" x 53", Direct/Indirect

For larger sizes, refer to 0000h Systems.
One power cord for every 50 linear ft.

B. LOUVER

LV2 Black

LV3 White

LV4 Satin Chrome

LV6 Satin Gold

LV9 Satin Champagne

C. LUMENS/FT (DIRECT)

LPF010 100 lm/ft

LPF020 200 lm/ft¹

LPF030 300 lm/ft²

LPF040 400 lm/ft³

LPF050 500 lm/ft

LPF060 600 lm/ft

LPF070 700 lm/ft

LPF080 800 lm/ft

LPF100 1000 lm/ft

LPF120 1200 lm/ft

Lumens/ft are determined by the color of the Louver. Consult website for available lumens/ft based on selected louver.

D. LUMENS/FT (INDIRECT)

LPG000 Not required

LPG025 250 lm/ft

LPG050 500 lm/ft

LPG075 750 lm/ft

LPG100 1000 lm/ft

LPG120 1200 lm/ft

LPG160 1600 lm/ft

E. CRI

CR80 CRI 80+

CR90 CRI 90+

F. CCT (DIRECT)

CTA30 3000K

CTA35 3500K

CTA40 4000K

CCT (INDIRECT)

CTB00 Not required

CTB30 3000K

CTB35 3500K

CTB40 4000K

G. DIRECT DIFFUSER

DD4 Comfort diffuser

¹ High output diffuser, all data shown based on this diffuser.

² 5% reduction from DD3. The Comfort lens provides better control and softer distribution.

H. INDIRECT DIFFUSER

UD0 Not required

UD1 Clear diffuser (Batwing)

I. BLACKOUT PLATE

UB00 Not required

UB_ _ Blackout plate¹

¹ Available on a per foot basis. May be required to prevent lighting up duct work in a loft type application.



0000H QUAD™ - SUSPENDED

J. VOLTAGE

V1 120/277V

V2 240V¹

V3 347V²

V4 Low Voltage³

¹ Not available in North America.

² Available with DA01 dimming only.

³ Available with DA45 dimming only.

K. DIMMING (REMOTE)

DA01 0-10V Dimming 1.0%¹

DA02 0-10V Dimming 0.1%¹

DA20 DALI Dimming 0.1%^{1 2}

DA21 DALI Dimming 1.0%^{1 2}

DA30 DSI/switchDim

DA45 PoE³

¹ Not available with V3.

² Available with V4 only.

L. CEILING TYPE

G1 Grid ceiling¹

H1 Hard ceiling²

The cost of canopies, power cables, connection mechanisms and endcaps for the fixture has been added to these items.

¹ Combo kit provided includes installation to T-bar and through tile mount.

² Designed for drywall ceilings.

M. SUSPENSION

HLA03 3ft cable suspension

HLA06 6ft cable suspension

HLA09 9ft cable suspension

N. FIXTURE FINISH

FA01 White

FA02 Black Metallic - Textured

FA20 Silver Metallic - Textured

FA25 Gold Metallic - Textured

FA27 Wood grain - Light Cherry¹

FA28 Wood grain - Dark Walnut¹

FA44 Midnight Blue Metallic - Textured

FA45 Copper Metallic

FA46 Charcoal Metallic - Textured

FA47 Bronze Metallic - Textured

FA52 Champagne Metallic

FA53 Red Metallic - Textured

¹ Longer than normal lead times may apply, consult factory.

O. CANOPY FINISH

CF01 White

CF02 Black Metallic - Textured

CF20 Silver Metallic - Textured

CF25 Gold Metallic - Textured

CF44 Midnight Blue Metallic - Textured

CF45 Copper Metallic

CF46 Charcoal Metallic - Textured

CF47 Bronze Metallic - Textured

CF52 Champagne Metallic

CF53 Red Metallic - Textured

P. EMERGENCY

E0 Not required

E1 Emergency system - Integral¹

E3 Emergency generator circuit¹

¹ Available upon request, consult factory for details. Not available in 347V.

Q. CIRCUITS

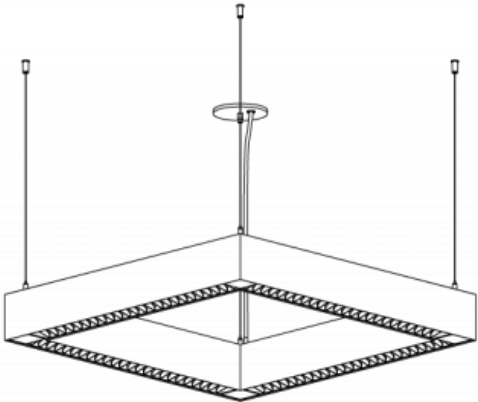
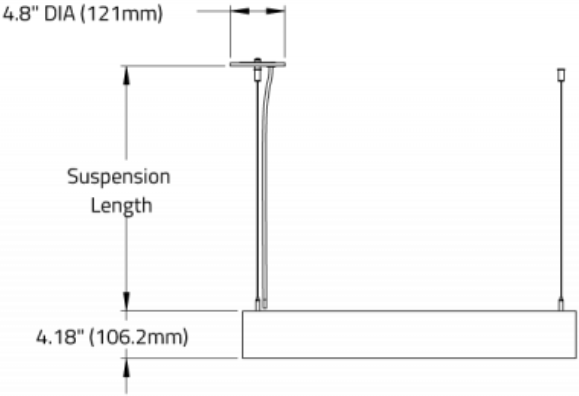
CS1 Single circuit

CS2 Dual circuit

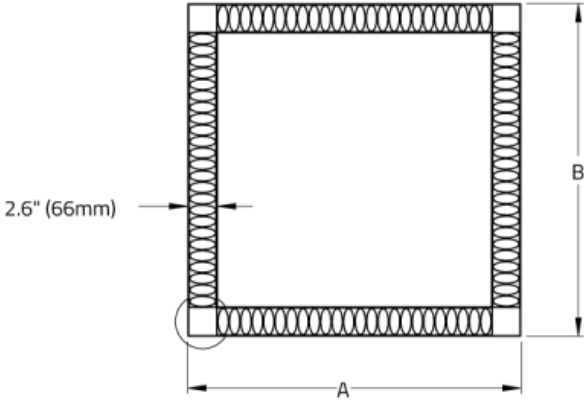
R. SENSORS

0000H QUAD™ - SUSPENDED

DIMENSIONAL DIAGRAMS



ISOMETRIC BOTTOM VIEW



Luminaire	A	B
HLNQ1P01/HLNQ2P01	29.19" (741.4mm)	29.19" (741.4mm)
HLNQ1P02/HLNQ2P02	53.19" (1351.0mm)	53.19" (1351.0mm)
HLNQ1P05/HLNQ2P05	29.19" (741.4mm)	53.19" (1351.0mm)