

# 0000H RING™ - CEILING

Project Name:

Fixture Type:

Fixture Code:

Quantities:

## A. LUMINAIRE

**HLNP1C02** 2ft, 5700 lms

**HLNP1C03** 3ft, 8400 lms

**HLNP1C04** 4ft, 11100 lms

**HLNP1C05** 5ft, 13900 lms

**HLNP1C06** 6ft, 16700 lms

**HLNP1C07** 7ft, 19100 lms

All data shown based on max values and white louver.

## B. LOUVERS

**LV2** Black

**LV3** White

**LV4** Satin Chrome

**LV6** Satin Gold

**LV9** Satin Champagne

## C. LUMENS/FT

**LPF020** 200 lm/ft

**LPF030** 300 lm/ft

**LPF040** 400 lm/ft

**LPF050** 500 lm/ft

**LPF070** 700 lm/ft

**LPF090** 900 lm/ft

Lumens/ft are determined by the color of the Louver. Consult website for available lumens/ft based on selected louver.

## D. CRI

**CR80** CRI 80+

**CR90** CRI 90+

## E. CCT

**CTA30** 3000K

**CTA35** 3500K

**CTA40** 4000K

## F. VOLTAGE

**V1** 120/277V

**V2** 240V<sup>1</sup>

**V3** 347V<sup>2</sup>

<sup>1</sup> Not available in North America.

<sup>2</sup> Only available with DA01.

## G. DIMMING (REMOTE ONLY)

**DA01** 0-10V Dimming 1.0%

**DA02** 0-10V Dimming 0.1%<sup>1</sup>

**DA20** DALI Dimming 0.1%<sup>1</sup>

**DA21** DALI Dimming 1.0%<sup>1</sup>

**DA30** DSI/switchDim<sup>2</sup>

All drivers are remote only.

<sup>1</sup> Not available with V3.

<sup>2</sup> Not available in North America.

## H. FINISH

**FA01** White

**FA02** Black Metallic - Textured

**FA20** Silver Metallic - Textured

**FA25** Gold Metallic - Textured

**FA27** Wood grain - Light Cherry<sup>1</sup>

**FA28** Wood grain - Dark Walnut<sup>1</sup>

**FA44** Midnight Blue Metallic - Textured

**FA45** Copper Metallic

**FA46** Charcoal Metallic - Textured

**FA47** Bronze Metallic - Textured

**FA52** Champagne Metallic

**FA53** Red Metallic - Textured

<sup>1</sup> Longer than normal lead times may apply, consult factory.



# 0000H RING™ - CEILING

## I. ACOUSTIC PANEL COLOR

**AP00** Not required

**AP04** White

**AP13** Apple Green

**AP22** Blue

**AP11** Light Gray

**AP26** Sesame Gray

**AP27** Black

---

Available up to 4ft diameter. Larger sizes available with visible seams, consult factory.

## J. EMERGENCY

**E0** Not required

**E2** Emergency system - Remote

## K. CONTROLS

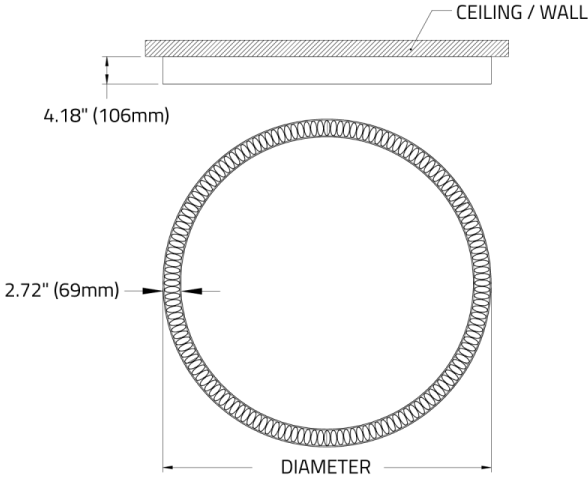
**C0** Not required

**C1** Encelium/Zigbee

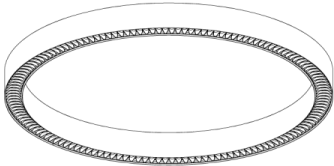


# 0000H RING™ - CEILING

## DIMENSIONAL DIAGRAMS



Diameter	In (mm)
2ft	26.33" (669mm)
3ft	37.79" (960mm)
4ft	49.72" (1263mm)
5ft	61.72" (1568mm)
6ft	73.72" (1872mm)
7ft	85.72" (2177mm)



ISOMETRIC BOTTOM VIEW