

0000H RING™ - SUSPENDED

Project Name:

Fixture Type:

Fixture Code:

Quantities:



0000H RING™ - SUSPENDED



0000H RING™ - SUSPENDED

0000H RING refashions the perennial classic ring pendant with an innovative louver design. An array of ellipses is incured with the profile to add a subtle aesthetic and create a sublime lighting effect. The louver system not only tempers the starkness of the commonly exposed diffuser and adds an enchanting decorative feature, but also offers visual comfort by minimizing glare. The injection-molded louvers come in 5 finishes: Black for the highest glare control, White for higher reflectance and performance, and for an interior design enhancement, satinized finishes Satin Chrome, Satin Gold, and Satin Champagne. **0000H RING** is also available with an acoustic panel in 6 finishes which adds another decorative dimension while offering sound-absorbing functionality.

GENERAL SPECIFICATION

Body

Aluminum.

Finish

Powder coated.

Suspension

Steel cables.

Power cable

Silver braided.

Delivered lumens

Delivered lumens & LPW based on 4000K CRI 80+.

Mechanical

Luminaires mount directly over J box (by others).

Sensors

Consult factory regarding sensor compatibility.

Diffuser

Opal polycarbonate.

Remote Emergency

Emergency option provides a 1.5 hour (3 hours for EU) emergency lighting facility. The remote system includes the inverter module, NiCad batteries and a remote wall/ceiling LED charge indicator and test switch (NA only) Maximum distance between wall/ceiling plate and luminaire is 15' (4.5m). Test switch fits a single gang box (not supplied).

Drivers

HPF electronic drivers for 120-277V, 347V (EU-240V). Driver is mounted remotely.

Acoustic Panels NRC Rating

0.80.

Acoustic Panels Class A Fire Rating

ASTM E-84 material.

Acoustic Panels Material

100% recycled polyester fiber (PET).

Acoustic Panels Thickness

12mm (0.5").

Reported L70 @25°C (77°F)

> 102,000 hrs @ 2000 lumens/ft (6000 lumens/m).

Estimated L70 @25°C (77°F)

> 178,000 hrs @ 2000 lumens/ft (6000 lumens/m).

Approvals

Damp Rated.

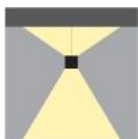
Design

US Pat. No. D969,395.

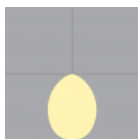
MOUNTING & OPTICS



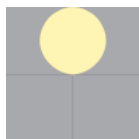
Suspended Direct



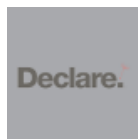
Suspended Direct/Indirect



Direct



Indirect



Declare



0000H RING™ - SUSPENDED

HOW TO ORDER

A. LUMINAIRE

HLNP1P02 2ft, Direct, 5700 lms
HLNP1P06 6ft, Direct, 16700 lms

HLNP1P03 3ft, Direct, 8400 lms
HLNP1P07 7ft, Direct, 19100 lms

HLNP1P04 4ft, Direct, 11100 lms
HLNP2P02 2ft, Direct/Indirect, 5700 lms Direct, 7500 lms Indirect

HLNP1P05 5ft, Direct, 13900 lms
HLNP2P03 3ft, Direct/Indirect, 8400 lms Direct, 11100 lms Indirect

HLNP2P04 4ft, Direct/Indirect, 11100 lms Direct, 15000 lms Indirect

HLNP2P05 5ft, Direct/Indirect, 13900 lms Direct, 18500 lms Indirect

HLNP2P06 6ft, Direct/Indirect, 16700 lms Direct, 22200 lms Indirect

HLNP2P07 7ft, Direct/Indirect, 19100 lms Direct, 25000 lms Indirect

All data shown based on max values and white body with white louver.
Longer than normal lead-times may apply, consult factory.

B. LOUVERS

LV2 Black
LV9 Satin Champagne

LV3 White

LV4 Satin Chrome

LV6 Satin Gold

C. LUMENS (DIRECT)

LPF020 200 lm/ft
LPF070 700 lm/ft

LPF030 300 lm/ft
LPF090 900 lm/ft

LPF040 400 lm/ft

LPF050 500 lm/ft

Lumens/ft are determined by the color of the Louver. Consult website for available lumens/ft based on selected louver.

D. LUMENS (INDIRECT)

LPG000 Not required
LPG090 900 lm/ft

LPG030 300 lm/ft
LPG110 1100 lm/ft

LPG050 500 lm/ft

LPG070 700 lm/ft

E. CRI

CR80 CRI 80+

CR90 CRI 90+

F. CCT

CTA30 3000K

CTA35 3500K

CTA40 4000K

G. UPPER DIFFUSER

UD0 Not required

UD2 Opal diffuser

H. VOLTAGE

V1 120/277V

V2 240V¹

V3 347V²

¹ Not available in North America.

² Only available with DA01.

I. DIMMING (REMOTE ONLY)

DA01 0-10V Dimming 1.0%
DA30 DSI/switchDim²

DA02 0-10V Dimming 0.1%¹

DA20 DALI Dimming 0.1%¹

DA21 DALI Dimming 1.0%¹

All drivers are remote only.

¹ Not available with V3.

² Not available in North America.



0000H RING™ - SUSPENDED

J. SUSPENSION

SS1 Vertical, Remote driver

SS2 Hub, Remote driver

SS3 Hub, Driver Integral to Canopy ¹

¹ Not available with HPNP2P07.

K. FIXTURE FINISH

FA01 White

FA02 Black Metallic - Textured

FA20 Silver Metallic - Textured

FA25 Gold Metallic - Textured

FA27 Wood grain - Light Cherry ¹

FA28 Wood grain - Dark Walnut ¹

FA44 Midnight Blue Metallic - Textured

FA45 Copper Metallic

FA46 Charcoal Metallic - Textured

FA47 Bronze Metallic - Textured

FA52 Champagne Metallic

FA53 Red Metallic - Textured

¹ Longer than normal lead times may apply, consult factory.

L. CANOPY FINISH

CF01 White

CF02 Black Metallic - Textured

CF20 Silver Metallic - Textured

CF25 Gold Metallic - Textured

CF44 Midnight Blue Metallic - Textured

CF45 Copper Metallic

CF46 Charcoal Metallic - Textured

CF47 Bronze Metallic - Textured

CF52 Champagne Metallic

CF53 Red Metallic - Textured

M. ACOUSTIC PANEL COLOR

AP00 Not required

AP04 White

AP13 Apple Green

AP22 Blue

AP11 Light Gray

AP26 Sesame Gray

AP27 Black

Available up to 4ft. Larger sizes available with visible seam, consult factory.

Volume Discounts are available on all acoustic products, contact the factory for a quote.

For accompanying non-illuminating acoustic panels see our Acoustic Circles, Quads and Triangles spec pages.

Other finishes available. Consult factory.

N. EMERGENCY

E0 Not required

E2 Emergency system - Remote

O. CIRCUIT

CS1 Single circuit

CS2 Dual circuit

P. CONTROLS

CO Not required

C1 Encelium/Zigbee



0000H RING™ - SUSPENDED

TECHNICAL DATA

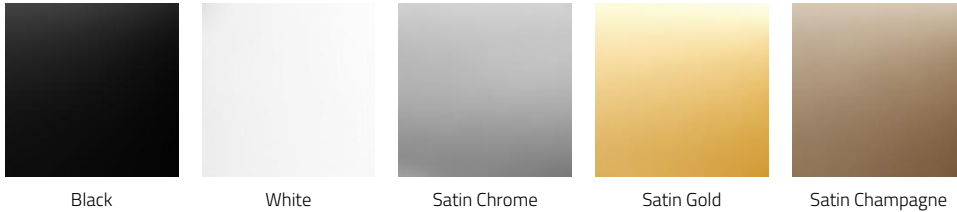
LUMINAIRE

All data shown based on max values and white body with white louver.
 Longer than normal lead-times may apply, consult factory.

Code	HLNP1P02	HLNP1P03	HLNP1P04	HLNP1P05	HLNP1P06	HLNP1P07
Diameter	2ft	3ft	4ft	5ft	6ft	7ft
Light Direction	Direct	Direct	Direct	Direct	Direct	Direct
Wattage	54	82	109	136	174	182
Direct lms	5400	8100	10400	13000	16700	17900
Indirect lms						
Lms/Ft	900	900	900	900	900	900
LPW	98	99	96	96	96	99
Suspension Points	3	3	3	3	3	6

Code	HLNP2P02	HLNP2P03	HLNP2P04	HLNP2P05	HLNP2P06	HLNP2P07
Diameter	2ft	3ft	4ft	5ft	6ft	7ft
Light Direction	Direct/Indirect	Direct/Indirect	Direct/Indirect	Direct/Indirect	Direct/Indirect	Direct/Indirect
Wattage	105	154	210	260	323	350
Direct lms	5400	8100	10400	13000	16700	17900
Indirect lms	7500	11100	15000	18500	22200	25000
Lms/Ft	2100	2100	2100	2100	2100	2100
LPW	123	125	121	121	120	123
Suspension Points	3	3	3	3	3	6

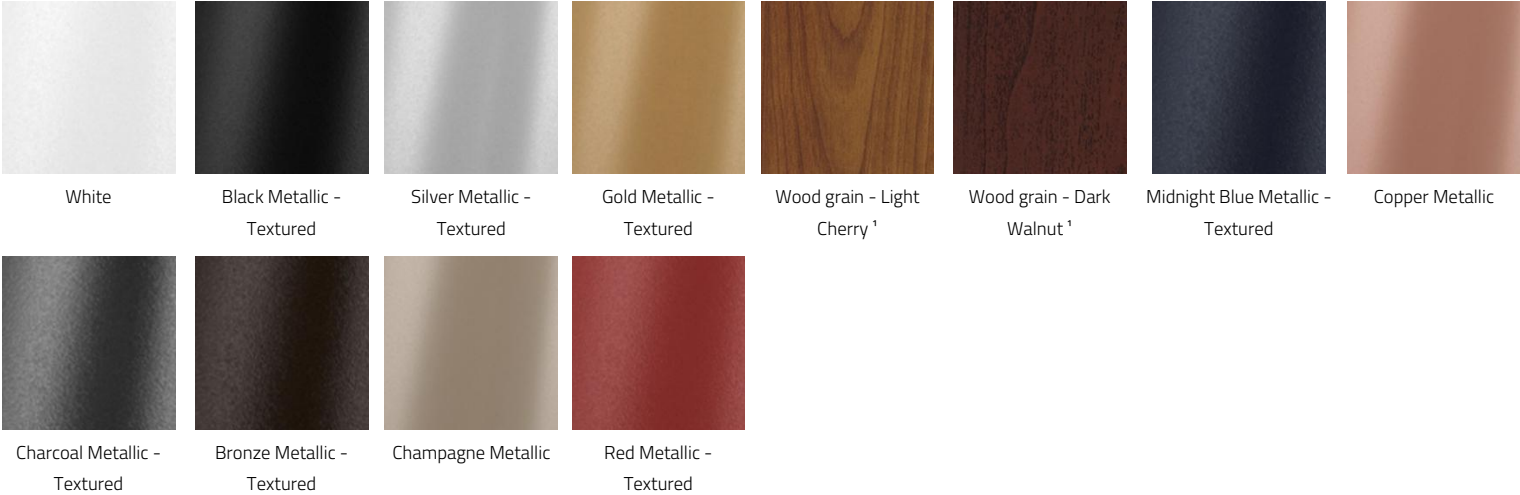
LOUVERS



Black White Satin Chrome Satin Gold Satin Champagne

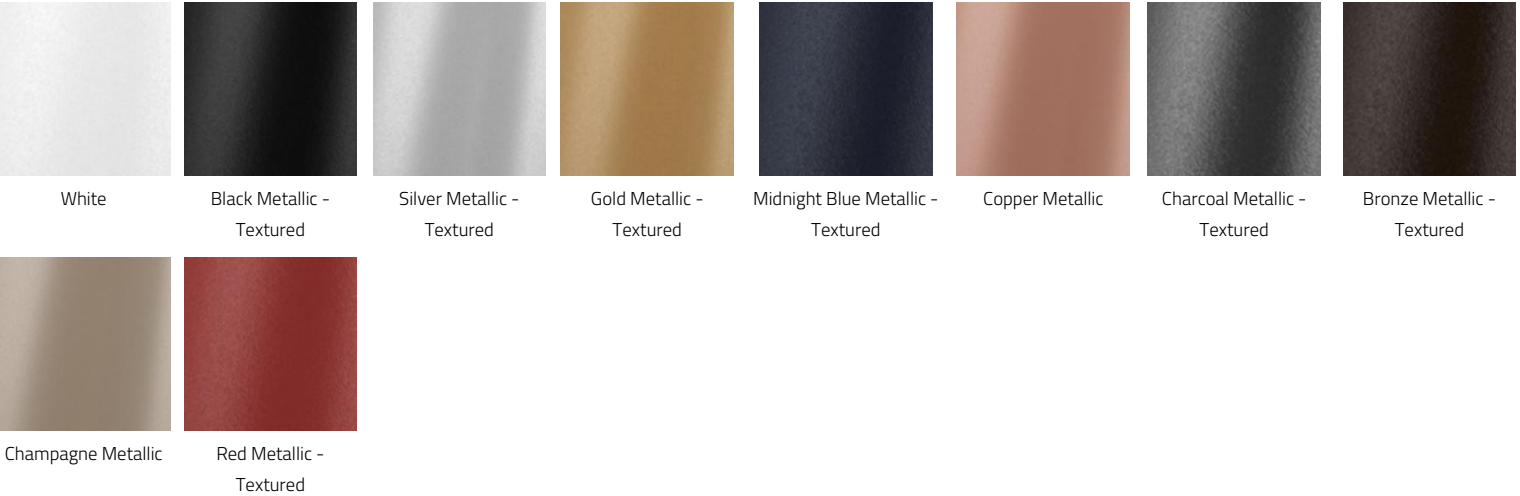
0000H RING™ - SUSPENDED

FIXTURE FINISH

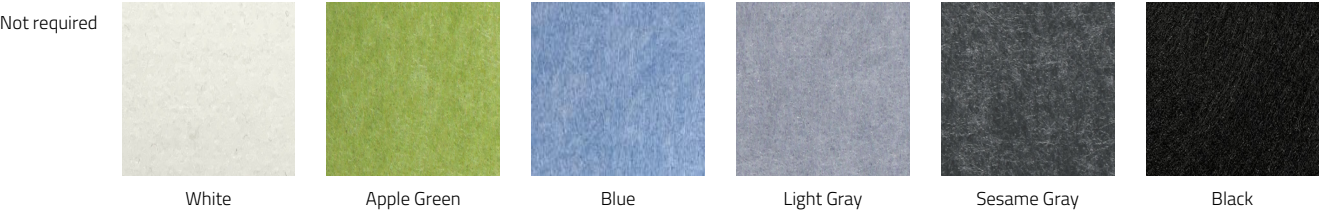


¹ Longer than normal lead times may apply, consult factory.

CANOPY FINISH



ACOUSTIC PANEL COLOR



Available up to 4ft. Larger sizes available with visible seam, consult factory.
 Volume Discounts are available on all acoustic products, contact the factory for a quote.
 For accompanying non-illuminating acoustic panels see our Acoustic Circles, Quads and Triangles spec pages.
 Other finishes available. Consult factory.

0000H RING™ - SUSPENDED

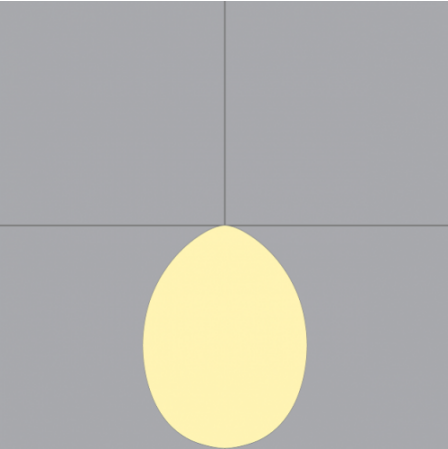
APPROVALS



0000H RING™ - SUSPENDED

PERFORMANCE DATA

DIRECT COMFORT (DD4) - WHITE LOUVER

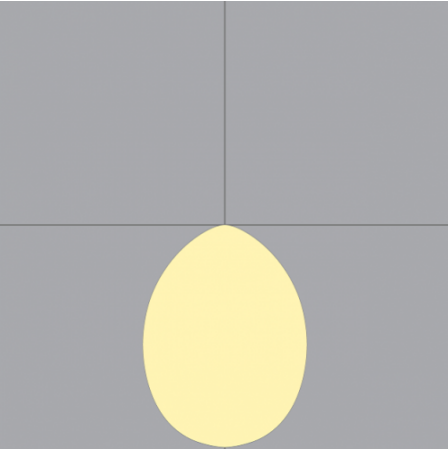


LUMEN/FT
900
700
500
400
300
200

WATT/FT
9
7
5
4
3
2

LPW
98
101
105
107
110
113

DIRECT COMFORT (DD4) - BLACK LOUVER

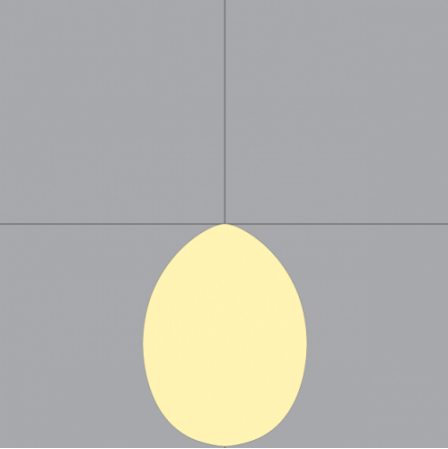


LUMEN/FT
500
400
300
200

WATT/FT
9
7
5
4

LPW
58
60
62
63

DIRECT COMFORT (DD4) - SATIN CHROME LOUVER



LUMEN/FT
700
500
400
300
200

WATT/FT
9
7
5
4
3

LPW
78
80
83
84
87

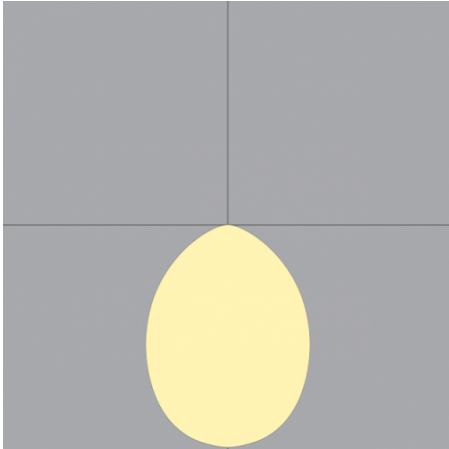
0000H RING™ - SUSPENDED

DIRECT COMFORT (DD4) - SATIN GOLD LOUVER

LUMEN/FT

WATT/FT

LPW



700
500
400
300
200

9
7
5
4
3

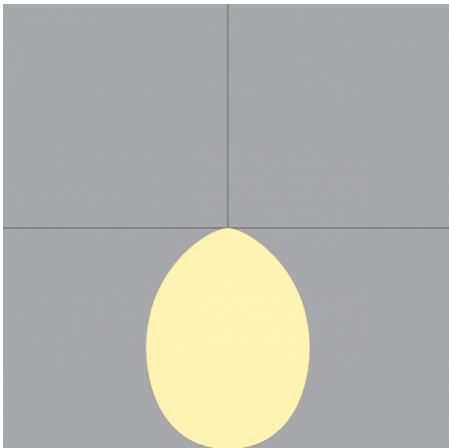
76
78
81
83
85

DIRECT COMFORT (DD4) - SATIN CHAMPAGNE LOUVER

LUMEN/FT

WATT/FT

LPW



700
500
400
300
200

9
7
5
4
3

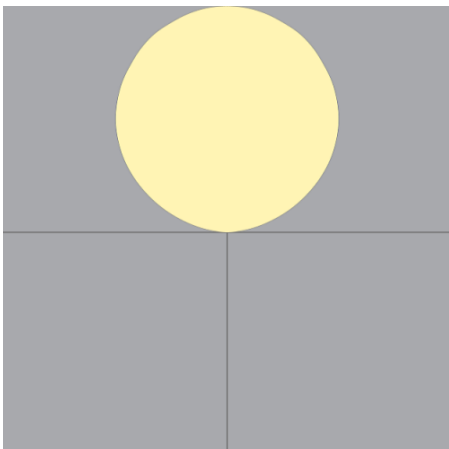
78
80
83
84
87

INDIRECT OPAL (UD2)

LUMEN/FT

WATT/FT

LPW



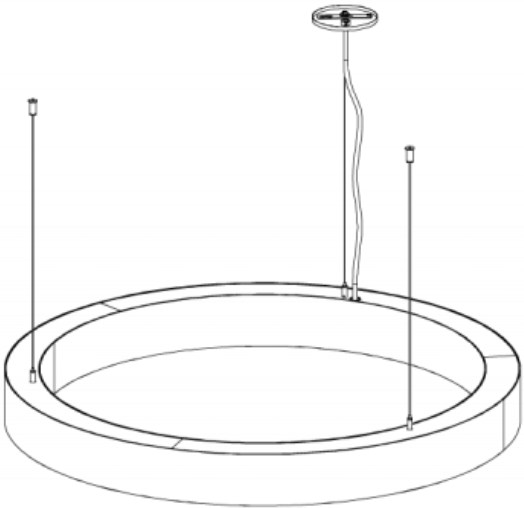
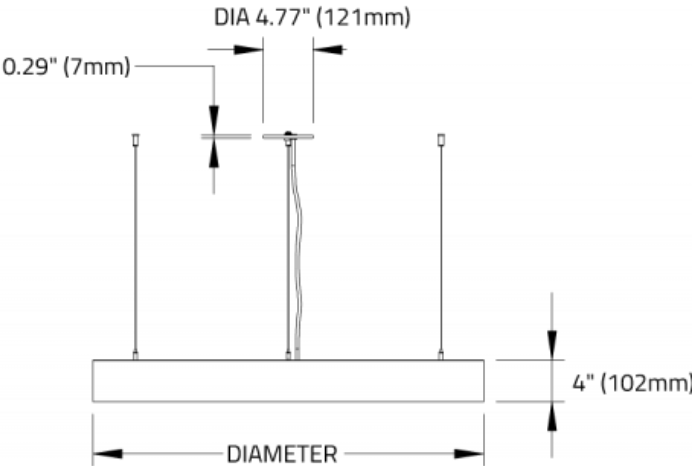
1100
900
700
500
300

9
7
5
4
3

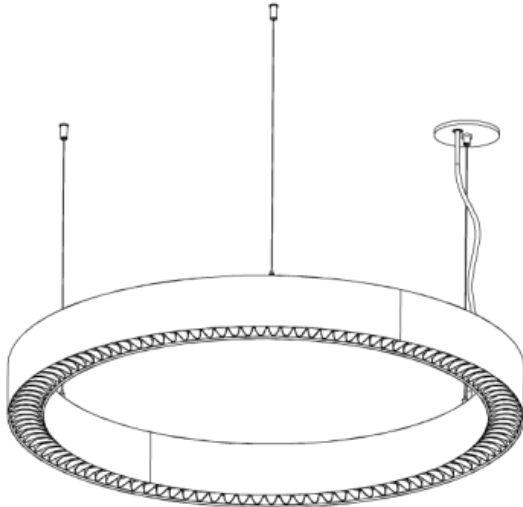
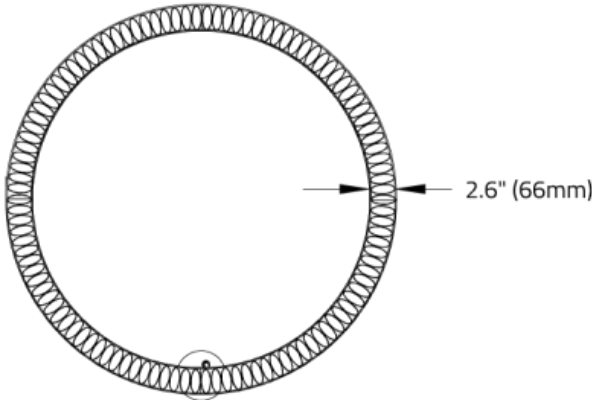
151
153
158
161
171

0000H RING™ - SUSPENDED

DIMENSIONAL DIAGRAMS



ISOMETRIC TOP VIEW

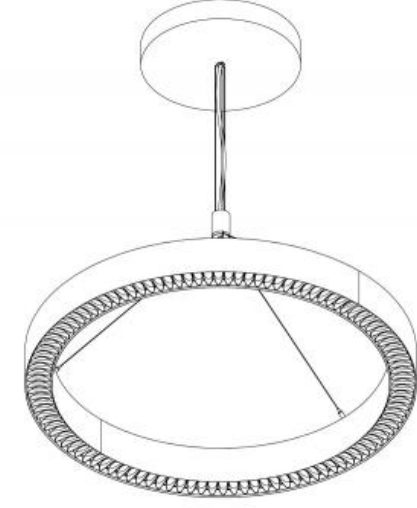
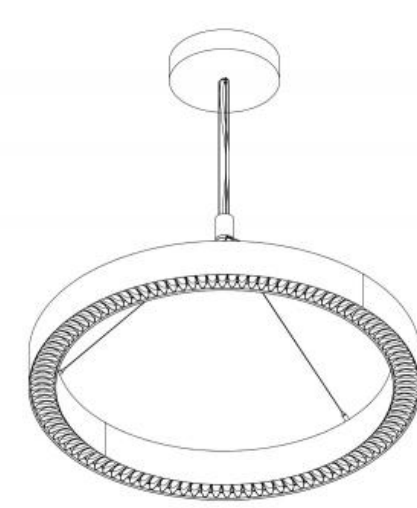
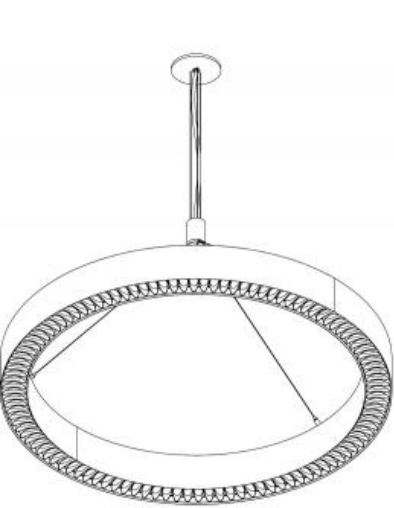
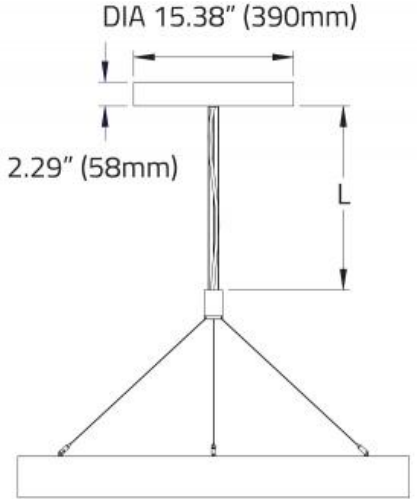
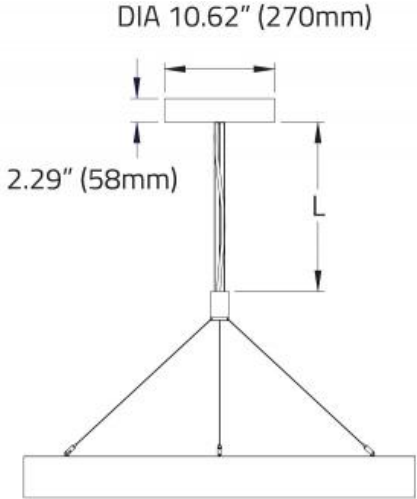
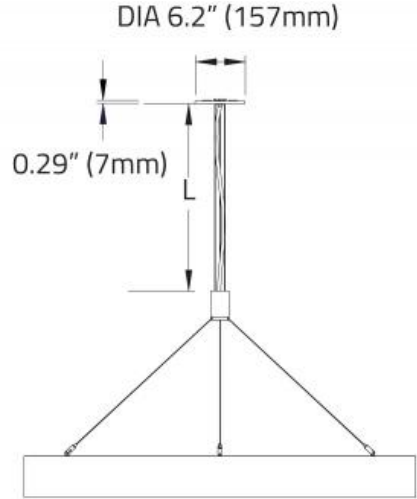


ISOMETRIC BOTTOM VIEW

Diameter	In (mm)
2ft	26.22" (666mm)
3ft	37.68" (957mm)
4ft	49.60" (1260mm)
5ft	61.60" (1565mm)
6ft	73.60" (1869mm)
7ft	85.60" (2174mm)

0000H RING™ - SUSPENDED

Hub Suspensions



Remote Driver (SS2)

Integral Driver - 2'-3' diameters (SS3)

Integral Driver - 4'-7' diameters (SS3)