

# 0000H RING™ - SUSPENDED



Project Name:

Fixture Type:

Fixture Code:

Quantities:

## A. LUMINAIRE

**HLNP1P02** 2ft, Direct, 5700 lms

**HLNP1P03** 3ft, Direct, 8400 lms

**HLNP1P04** 4ft, Direct, 11100 lms

**HLNP1P05** 5ft, Direct, 13900 lms

**HLNP1P06** 6ft, Direct, 16700 lms

**HLNP1P07** 7ft, Direct, 19100 lms

**HLNP2P02** 2ft, Direct/Indirect, 5700 lms Direct, 7500 lms Indirect

**HLNP2P03** 3ft, Direct/Indirect, 8400 lms Direct, 11100 lms Indirect

**HLNP2P04** 4ft, Direct/Indirect, 11100 lms Direct, 15000 lms Indirect

**HLNP2P05** 5ft, Direct/Indirect, 13900 lms Direct, 18500 lms Indirect

**HLNP2P06** 6ft, Direct/Indirect, 16700 lms Direct, 22200 lms Indirect

**HLNP2P07** 7ft, Direct/Indirect, 19100 lms Direct, 25000 lms Indirect

All data shown based on max values and white body with white louver.  
Longer than normal lead-times may apply, consult factory.

## B. LOUVERS

**LV2** Black

**LV3** White

**LV4** Satin Chrome

**LV6** Satin Gold

**LV9** Satin Champagne

## C. LUMENS (DIRECT)

**LPF020** 200 lm/ft

**LPF030** 300 lm/ft

**LPF040** 400 lm/ft

**LPF050** 500 lm/ft

**LPF070** 700 lm/ft

**LPF090** 900 lm/ft

Lumens/ft are determined by the color of the Louver. Consult website for available lumens/ft based on selected louver.

## D. LUMENS (INDIRECT)

**LPG000** Not required

**LPG030** 300 lm/ft

**LPG050** 500 lm/ft

**LPG070** 700 lm/ft

**LPG090** 900 lm/ft

**LPG110** 1100 lm/ft

## E. CRI

**CR80** CRI 80+

**CR90** CRI 90+

## F. CCT

**CTA30** 3000K

**CTA35** 3500K

**CTA40** 4000K

## G. UPPER DIFFUSER

**UD0** Not required

**UD2** Opal diffuser

## H. VOLTAGE

**V1** 120/277V

**V2** 240V<sup>1</sup>

**V3** 347V<sup>2</sup>

<sup>1</sup> Not available in North America.

<sup>2</sup> Only available with DA01.

## I. DIMMING (REMOTE ONLY)

**DA01** 0-10V Dimming 1.0%

**DA02** 0-10V Dimming 0.1%<sup>1</sup>

**DA20** DALI Dimming 0.1%<sup>1</sup>

**DA21** DALI Dimming 1.0%<sup>1</sup>

**DA30** DSI/switchDim<sup>2</sup>

All drivers are remote only.

<sup>1</sup> Not available with V3.

<sup>2</sup> Not available in North America.



# 0000H RING™ - SUSPENDED

## J. SUSPENSION

**SS1** Vertical, Remote driver

**SS2** Hub, Remote driver

**SS3** Hub, Driver Integral to Canopy <sup>1</sup>

<sup>1</sup> Not available with HPNP2P07.

## K. FIXTURE FINISH

**FA01** White

**FA02** Black Metallic - Textured

**FA20** Silver Metallic - Textured

**FA25** Gold Metallic - Textured

**FA27** Wood grain - Light Cherry <sup>1</sup>

**FA28** Wood grain - Dark Walnut <sup>1</sup>

**FA44** Midnight Blue Metallic - Textured

**FA45** Copper Metallic

**FA46** Charcoal Metallic - Textured

**FA47** Bronze Metallic - Textured

**FA52** Champagne Metallic

**FA53** Red Metallic - Textured

<sup>1</sup> Longer than normal lead times may apply, consult factory.

## L. CANOPY FINISH

**CF01** White

**CF02** Black Metallic - Textured

**CF20** Silver Metallic - Textured

**CF25** Gold Metallic - Textured

**CF44** Midnight Blue Metallic - Textured

**CF45** Copper Metallic

**CF46** Charcoal Metallic - Textured

**CF47** Bronze Metallic - Textured

**CF52** Champagne Metallic

**CF53** Red Metallic - Textured

## M. ACOUSTIC PANEL COLOR

**AP00** Not required

**AP04** White

**AP13** Apple Green

**AP22** Blue

**AP11** Light Gray

**AP26** Sesame Gray

**AP27** Black

Available up to 4ft. Larger sizes available with visible seam, consult factory.

Volume Discounts are available on all acoustic products, contact the factory for a quote.

For accompanying non-illuminating acoustic panels see our Acoustic Circles, Quads and Triangles spec pages.

Other finishes available. Consult factory.

## N. EMERGENCY

**E0** Not required

**E2** Emergency system - Remote

## O. CIRCUIT

**CS1** Single circuit

**CS2** Dual circuit

## P. CONTROLS

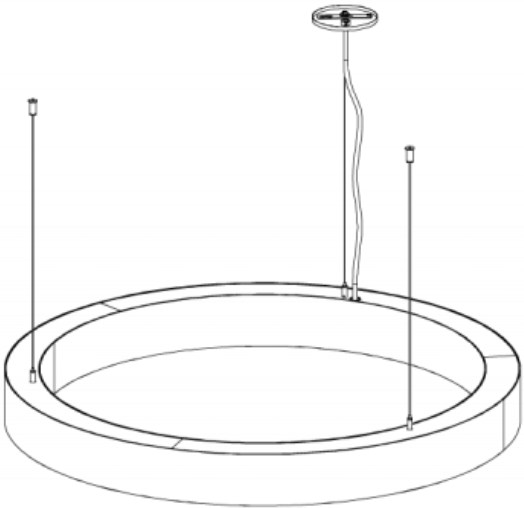
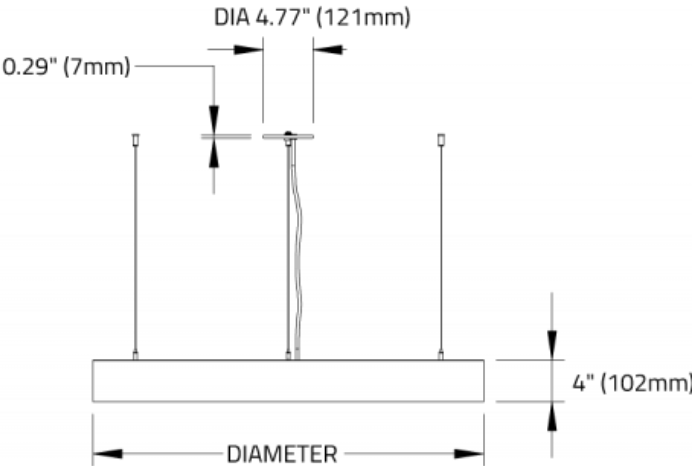
**CO** Not required

**C1** Encelium/Zigbee

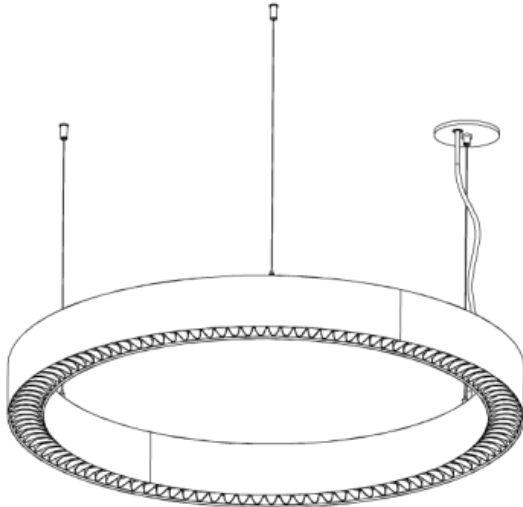
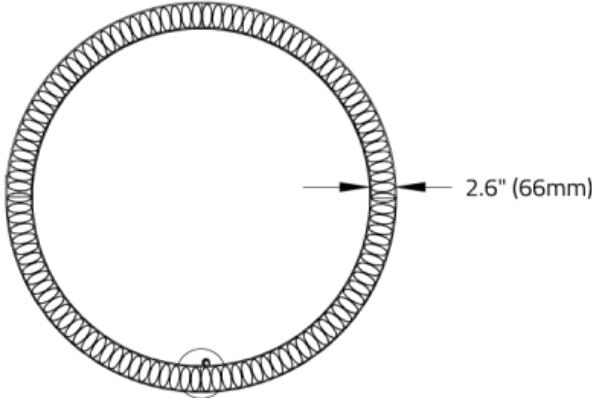


# 0000H RING™ - SUSPENDED

## DIMENSIONAL DIAGRAMS



ISOMETRIC TOP VIEW

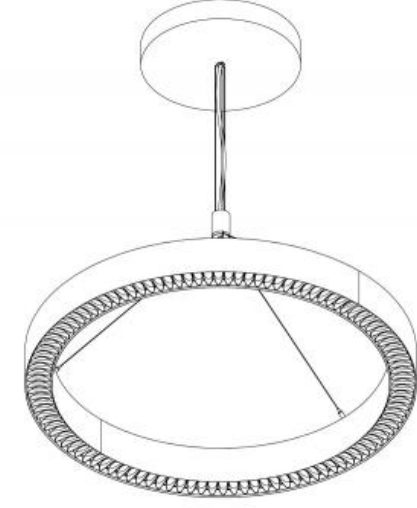
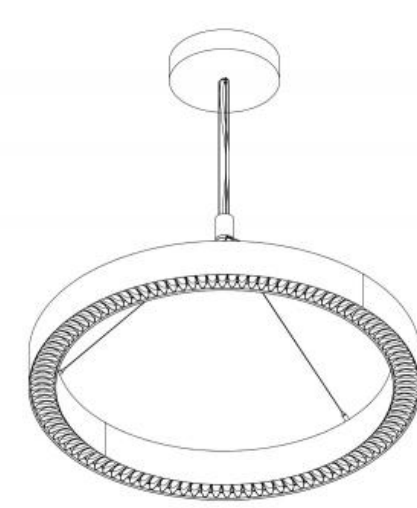
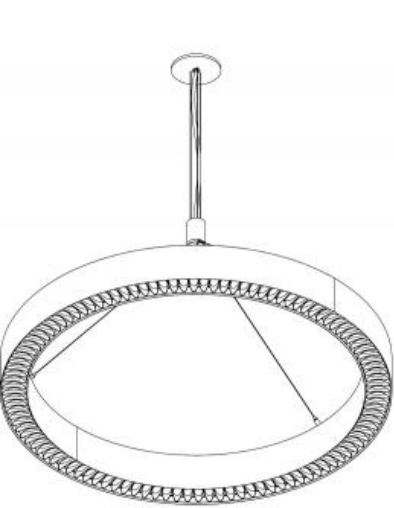
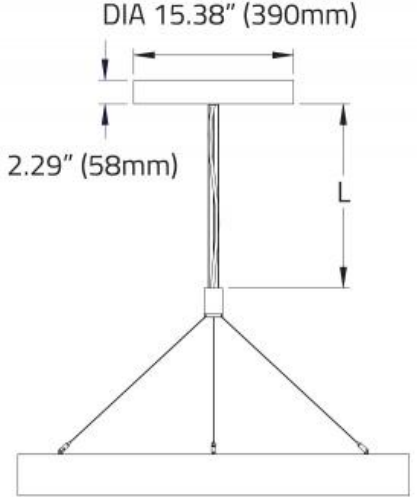
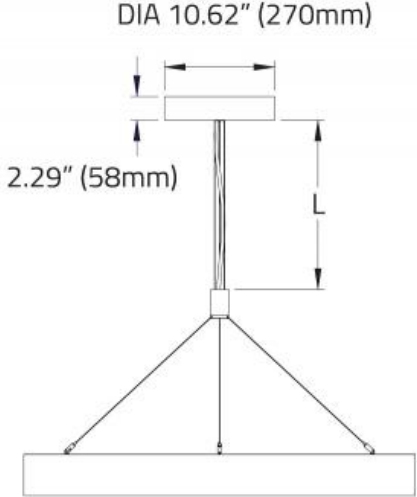
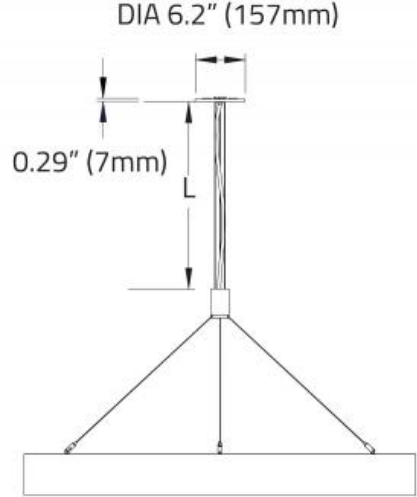


ISOMETRIC BOTTOM VIEW

Diameter	In (mm)
2ft	26.22" (666mm)
3ft	37.68" (957mm)
4ft	49.60" (1260mm)
5ft	61.60" (1565mm)
6ft	73.60" (1869mm)
7ft	85.60" (2174mm)

# 0000H RING™ - SUSPENDED

Hub Suspensions



Remote Driver (SS2)

Integral Driver - 2'-3' diameters (SS3)

Integral Driver - 4'-7' diameters (SS3)