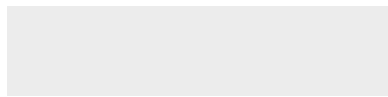
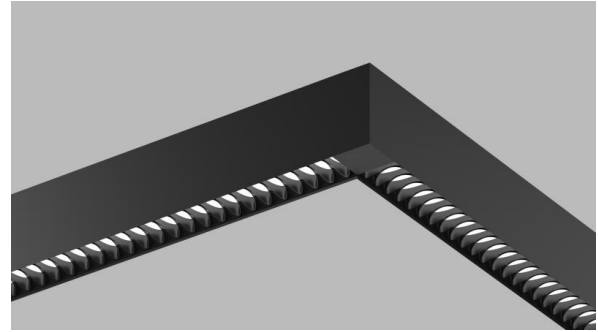


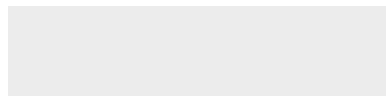


OOOOH SYSTEMS™

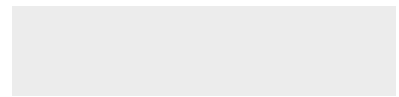
FULL SPECIFICATION SHEET



FIXTURE TYPE



FIXTURE CODE

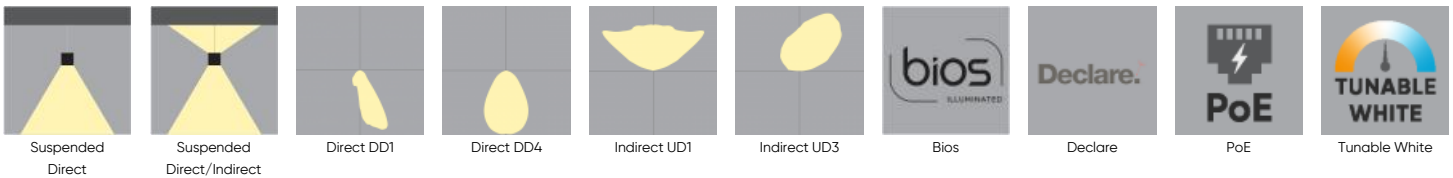


QUANTITIES

1 DESCRIPTION

OOOOH dazzles up traditional linear lighting concepts with an innovative louver system. An array of ellipses is incurved to conform to a tunnel-shaped profile creating a subtle aesthetic and sublime lighting effect. The louver system not only tempers the starkness of the commonly exposed diffuser and adds an enchanting decorative feature, but also offers visual comfort by minimizing glare. The injection-molded louvers come in 5 finishes: Black for the highest glare control, White for higher reflectance and performance, and for an interior design enhancement, satinized finishes Satin Chrome, Satin Gold, and Satin Champagne. Build a continuous lighting plan with the new **OOOOH SYSTEMS** option.

2 OPTICS & FEATURES



3 APPROVALS



4 GENERAL SPECIFICATION

BODY

Aluminum.

SUSPENSION

Steel cables.

POE

Can be integrated into your data network via Power over Ethernet (PoE) connectivity.

DRIVERS

HPF electronic drivers for 120–277V, 347V (EU–240V). The driver is integral to the fixture housing.

FIXTURE LENGTHS

Available in 1" increments. Contact the factory for details.

ESTIMATED L70 @25°C (77°F)

> 165,000 hrs @ 2000 lumens/ft (6000 lumens/m)

MECHANICAL

Luminaires mount directly over J box (by others).

SENSORS

Compatible with Avi-On, Casambi, Enlighted, Lutron Vive, nLight, NX Lighting Controls, Osram, Philips, and others. Consult factory.

RGBW

RGBW available, consult factory.

DESIGNED BY

Serge Cornelissen.

SEISMIC BRACING

Seismic bracing kits are available to meet compliance requirements. Consult the factory for details.

FINISH

Powder coated

POWER CABLE

Silver braided.

BIOS

For circadian lighting, consult factory.

LENS

Opal acrylic. 2.4" width.

REPORTED L70 @25°C (77°F)

> 60,000 hrs @ 2000 lumens/ft (6000 lumens/m)

DELIVERED LUMENS

Delivered lumens & LPW based on 4000K CRI 80+

INTEGRAL EMERGENCY SYSTEM

Emergency option provides a 1.5 hour (3 hours for EU) emergency lighting facility. The self contained system includes the inverter module, NiCad batteries, LED charge indicator and test switch (NA only). Not available with a 347V supply.

TUNABLE WHITE

Tunable White range from 2700K to 6500K is available; contact the factory for details.

APPROVALS

Damp Location (Indoor use only).

DESIGN

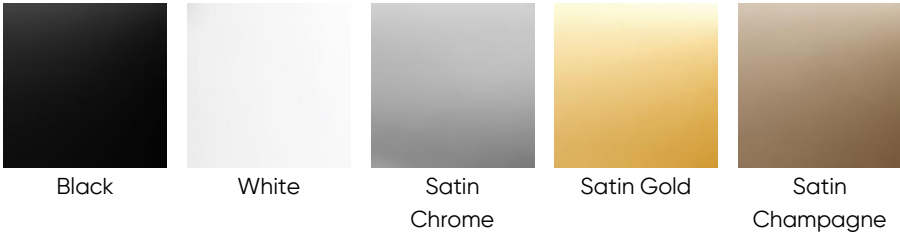
US Pat. No. D969,395.

SUSTAINABILITY

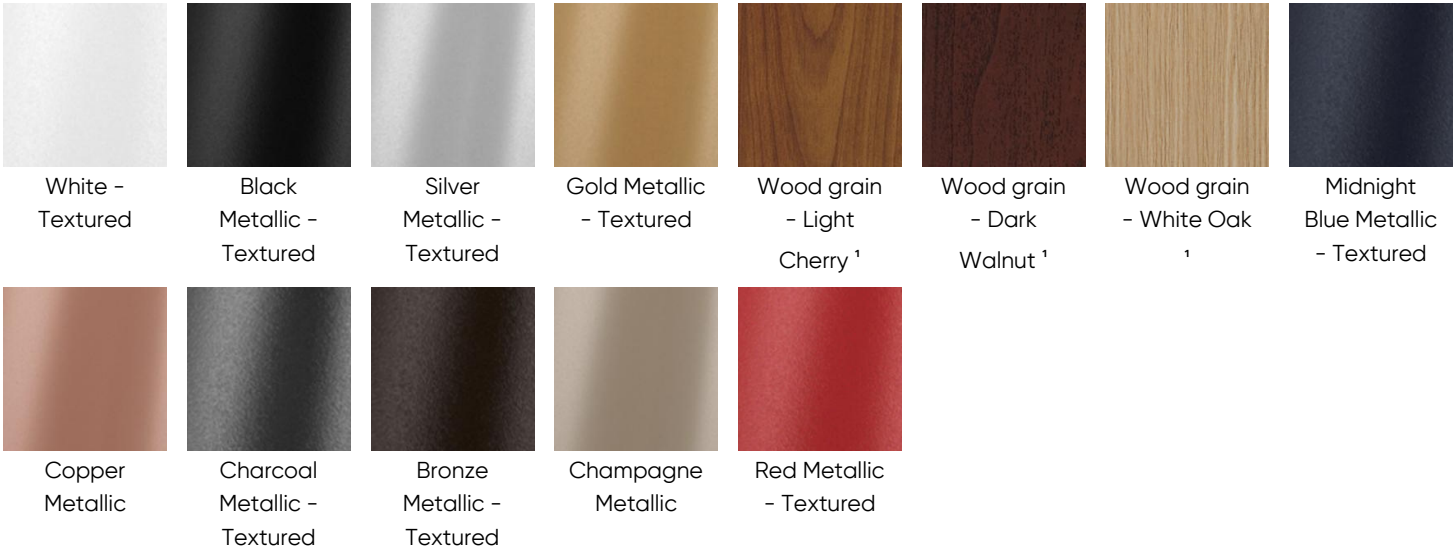
Designed for on-site LED board, driver, and optic replacement. Contact the factory for maintenance documentation.

5 DESIGN OPTIONS

LOUVER

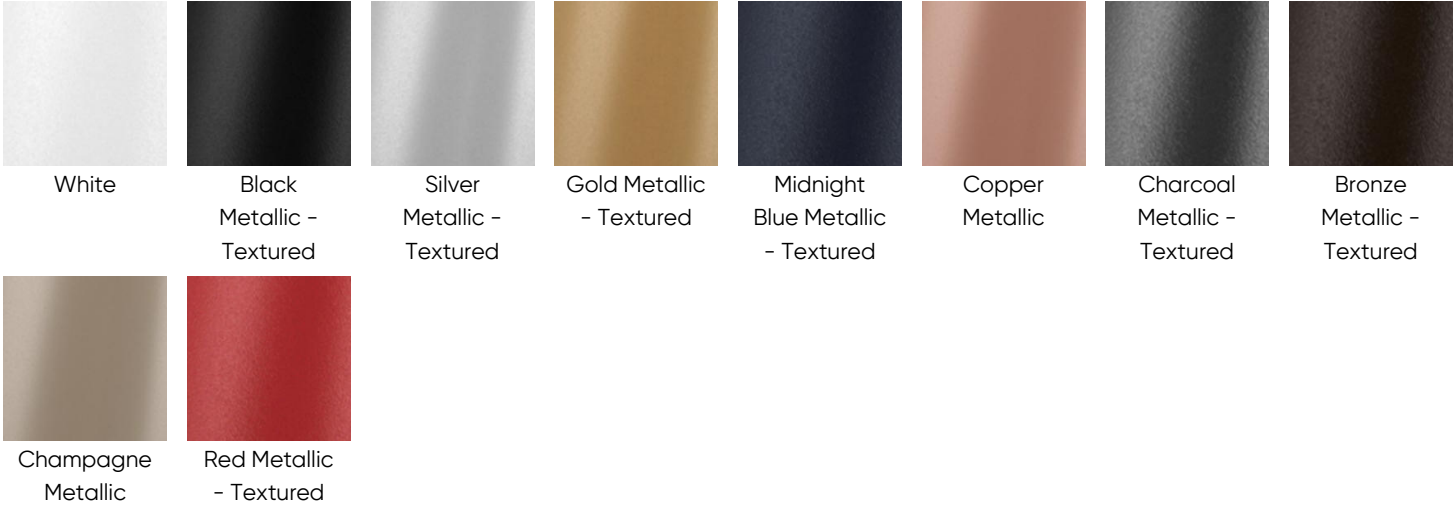


FINISH



¹ Wood grain finishes may incur longer lead times and setup charges. Consult factory for details.

CANOPY FINISH



6 HOW TO ORDER

<p>Choose a Module</p> <p>Make a selection from one of the following 7 sections. One power cord for every 50 linear feet. Connection parts for each section are shipped separately for on site assembly. Project drawings are not required for this product.</p> <p>STRAIGHT SECTION 2FT</p> <p>HL1PSL02 2ft middle section Direct HL1PSM02 2ft middle section with power cord Direct HL1PSN02 2ft section with end cap Direct HL1PSP02 2ft section with end cap and power cord Direct</p> <p>Available as Direct only.</p>	<p>STRAIGHT SECTION 4FT</p> <p>HL1PSL04 4ft middle section Direct HL1PSM04 4ft middle section with power cord Direct HL1PSN04 4ft section with end cap Direct HL1PSP04 4ft section with end cap and power cord Direct HL2PSL04 4ft middle section Direct/Indirect HL2PSM04 4ft middle section with power cord Direct/Indirect HL2PSN04 4ft section with end cap Direct/Indirect HL2PSP04 4ft section with end cap and power cord Direct/Indirect</p>	
<p>STRAIGHT SECTION 6FT</p> <p>HL1PSL06 6ft middle section Direct HL1PSM06 6ft middle section with power cord Direct HL1PSN06 6ft section with end cap Direct HL1PSP06 6ft section with end cap and power cord Direct HL2PSL06 6ft middle section Direct/Indirect HL2PSM06 6ft middle section with power cord Direct/Indirect HL2PSN06 6ft section with end cap Direct/Indirect HL2PSP06 6ft section with end cap and power cord Direct/Indirect</p>	<p>STRAIGHT SECTION 8FT</p> <p>HL1PSL08 8ft middle section Direct HL1PSM08 8ft middle section with power cord Direct HL1PSN08 8ft section with end cap Direct HL1PSP08 8ft section with end cap and power cord Direct HL2PSL08 8ft middle section Direct/Indirect HL2PSM08 8ft middle section with power cord Direct/Indirect HL2PSN08 8ft section with end cap Direct/Indirect HL2PSP08 8ft section with end cap and power cord Direct/Indirect</p>	
<p>STRAIGHT SECTION 10FT</p> <p>HL1PSL10 10ft middle section Direct HL1PSM10 10ft middle section with power cord Direct HL1PSN10 10ft section with end cap Direct HL1PSP10 10ft section with end cap and power cord Direct HL2PSL10 10ft middle section Direct/Indirect HL2PSM10 10ft middle section with power cord Direct/Indirect HL2PSN10 10ft section with end cap Direct/Indirect HL2PSP10 10ft section with end cap and power cord Direct/Indirect</p>	<p>STRAIGHT SECTION 12FT</p> <p>HL1PSL12 12ft middle section Direct HL1PSM12 12ft middle section with power cord Direct HL1PSN12 12ft section with end cap Direct HL1PSP12 12ft section with end cap and power cord Direct HL2PSL12 12ft middle section Direct/Indirect HL2PSM12 12ft middle section with power cord Direct/Indirect HL2PSN12 12ft section with end cap Direct/Indirect HL2PSP12 12ft section with end cap and power cord Direct/Indirect</p>	
<p>CORNER SECTION (27"X27" L SHAPE)</p> <p>HL1PSL01 Corner with no end caps Direct HL1PSM01 Corner middle with power cord Direct HL1PSN01 Corner with Left end cap Direct HL1PSN03 Corner with Right end cap Direct HL1PSP01 Corner with Left end cap and power cord Direct HL1PSP03 Corner with Right end cap and power cord Direct HL2PSL01 Corner with no end caps Direct/Indirect HL2PSM01 Corner middle with power cord Direct/Indirect HL2PSN01 Corner with Left end cap Direct/Indirect HL2PSN03 Corner with Right end cap Direct/Indirect HL2PSP01 Corner with Left end cap and power cord Direct/Indirect HL2PSP03 Corner with Right end cap and power cord Direct/Indirect</p>	<p>LOUVER</p> <p>LV2 Black LV3 White LV4 Satin Chrome LV6 Satin Gold LV9 Satin Champagne</p>	<p>LM/FT (DIRECT)</p> <p>LPF020 200 lm/ft LPF030 300 lm/ft LPF040 400 lm/ft LPF050 500 lm/ft LPF060 600 lm/ft LPF070 700 lm/ft LPF080 800 lm/ft LPF100 1000 lm/ft LPF120 1200 lm/ft LPF130 1300 lm/ft</p> <p>Lumens/ft are determined by the color of the Louver. Consult website for available lumens/ft based on selected louver.</p>

<p>LM/FT (INDIRECT)</p> <p>LPG000 Not required LPG020 200 lm/ft LPG040 400 lm/ft LPG060 600 lm/ft LPG080 800 lm/ft LPG100 1000 lm/ft LPG120 1200 lm/ft LPG140 1400 lm/ft LPG160 1650 lm/ft</p> <p>Consult website for available lumens/ft. All data shown based on DD3 diffuser.</p>	<p>CRI</p> <p>CR80 CRI 80+ CR90 CRI 90+</p>	<p>CCT (DIRECT)</p> <p>CTA27 2700K CTA30 3000K CTA35 3500K CTA40 4000K CTA60 Tunable White¹</p> <p>¹ Consult factory.</p>	<p>CCT (INDIRECT)</p> <p>CTB00 Not required CTB27 2700K CTB30 3000K CTB35 3500K CTB40 4000K CTB60 Tunable White¹</p> <p>¹ Consult factory.</p>
<p>DIRECT LENS</p> <p>DD1 Asymmetric¹ DD4 Comfort</p> <p>¹ When standing at the end view of the profile on the side where the power cord is installed, the asymmetric beam will aim to the right.</p>	<p>INDIRECT LENS</p> <p>UDO Not required UD1 Batwing UD3 Asymmetric¹</p> <p>¹ Available up to 1200 lm/ft.</p>	<p>BLACKOUT PLATE</p> <p>UB00 Not required UB__ Blackout plate¹</p> <p>¹ Available on a per foot basis. May be required to prevent lighting up duct work in a loft type application.</p>	<p>VOLTAGE</p> <p>V1 120/277V V2 240V¹ V3 347V² V4 Low Voltage³</p> <p>¹ Not available in North America. ² Only available with DA01 dimming. ³ Only available with DA45 dimming.</p>
<p>DIMMING</p> <p>DA01 0-10V Dimming 1.0% DA02 0-10V Dimming 0.1%¹ DA20 DALI Dimming 0.1%¹ DA21 DALI Dimming 1.0%¹ DA30 DSI/switchDim² DA45 PoE³</p> <p>¹ Not available with 347V. ² Not available in North America. ³ Only available with V4.</p>	<p>CEILING TYPE</p> <p>G1 Grid ceiling¹ H1 Hard ceiling²</p> <p>The cost for the canopies, power cables, connections mechanisms and endcaps for the fixture has been added to these items. ¹ Combo kit provided includes installation to T-bar and through tile mount. ² Designed for drywall ceilings.</p>	<p>SUSPENSION</p> <p>HLA03 3ft cable suspension HLA06 6ft cable suspension HLA09 9ft cable suspension</p>	<p>FIXTURE FINISH</p> <p>FA01 White – Textured FA02 Black Metallic – Textured FA20 Silver Metallic – Textured FA25 Gold Metallic – Textured FA27 Wood grain – Light Cherry¹ FA28 Wood grain – Dark Walnut¹ FA30 Wood grain – White Oak¹ FA44 Midnight Blue Metallic – Textured FA45 Copper Metallic FA46 Charcoal Metallic – Textured FA47 Bronze Metallic – Textured FA52 Champagne Metallic FA53 Red Metallic – Textured</p> <p>¹ Wood grain finishes may incur longer lead times and setup charges. Consult factory for details.</p>
<p>CANOPY FINISH</p> <p>CF01 White CF02 Black Metallic – Textured CF20 Silver Metallic – Textured CF25 Gold Metallic – Textured CF44 Midnight Blue Metallic – Textured CF45 Copper Metallic CF46 Charcoal Metallic – Textured CF47 Bronze Metallic – Textured CF52 Champagne Metallic CF53 Red Metallic – Textured</p>	<p>EMERGENCY</p> <p>E0 Not required E1 Emergency system – Integral¹ E3 Emergency generator circuit¹</p> <p>¹ A drawing will be required at time of ordering to determine the required number and location of the emergency sections or generator circuits. Available upon request, consult factory for details. Not available with 347V.</p>	<p>CIRCUITS</p> <p>CS1 Single circuit CS2 Dual circuit¹</p> <p>¹ Independent control of uplight for LELP2P.</p>	<p>SENSORS</p> <p>Compatible with Avi-On, Casambi, Enlighted, Lutron Vive, nLight, NX Lighting Controls, Osram, Philips, and others. Consult factory.</p>

7 PERFORMANCE DATA

DIRECT COMFORT (DD4) – WHITE LOUVER

	LUMEN/FT	WATT/FT	LPW
1300	13	106	
1200	11	108	
1000	9	110	
800	7	114	
700	6	115	
600	5	117	
500	4	119	
400	3	121	
300	3	126	
200	2	128	

DIRECT COMFORT (DD4) – BLACK LOUVER

	LUMEN/FT	WATT/FT	LPW
700	13	57	
600	11	58	
500	9	59	
400	7	61	
300	5	63	
200	3	65	

DIRECT COMFORT (DD4) – SATIN CHROME LOUVER

	LUMEN/FT	WATT/FT	LPW
1000	13	84	
800	9	87	
700	9	89	
600	7	90	
500	5	93	
400	4	95	
300	3	95	
200	2	98	

DIRECT COMFORT (DD4) – SATIN GOLD LOUVER

	LUMEN/FT	WATT/FT	LPW
1000	13	82	
800	9	85	
700	9	87	
600	7	88	
500	5	91	
400	4	93	
300	3	93	
200	2	96	

DIRECT COMFORT (DD4) – SATIN CHAMPAGNE LOUVER

	LUMEN/FT	WATT/FT	LPW
1000	13	84	
800	9	87	
700	9	89	
600	7	90	
500	5	93	
400	4	95	
300	3	95	
200	2	98	

DIRECT ASYMMETRIC (DD1) – WHITE LOUVER

	LUMEN/FT	WATT/FT	LPW
1200	13	100	
1000	11	101	
800	9	105	
700	7	107	
600	6	108	
500	5	110	
400	4	112	
300	3	113	
200	2	116	

INDIRECT BATWING (UD1)

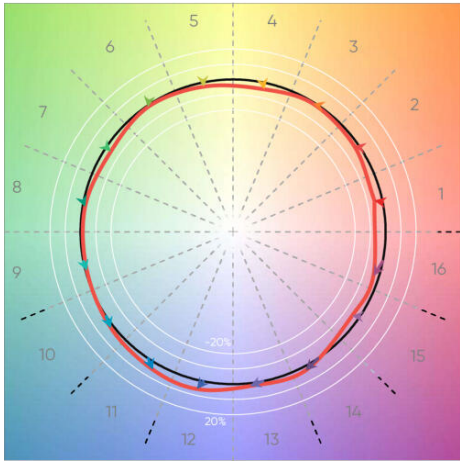
	LUMEN/FT	WATT/FT	LPW
1600	13	133	
1400	10	138	
1200	9	141	
1000	7	145	
800	6	147	
600	4	151	
400	3	154	
200	1	154	

INDIRECT ASYMMETRIC (UD3)

	LUMEN/FT	WATT/FT	LPW
1200	13	97	
1000	10	100	
800	9	102	
600	6	107	
400	4	109	
200	2	112	

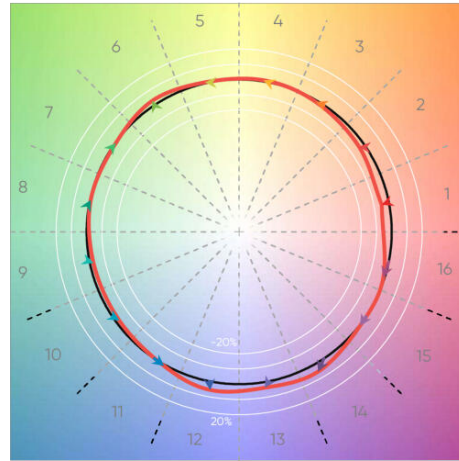
8 TM-30 DATA

CCT 2700K



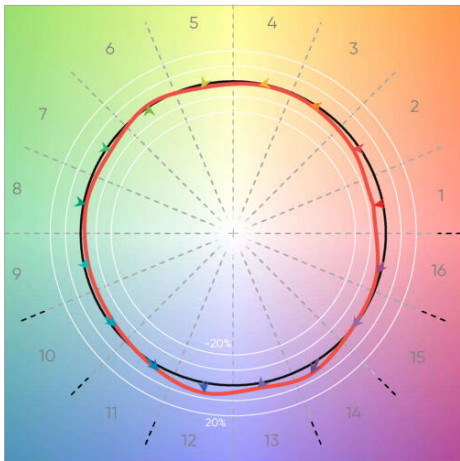
CRI(Ra)	93
CRI(R9)	61
TM30(Rf)	91
TM30(Rg)	98
Duv	-0.0022

CCT 3000K



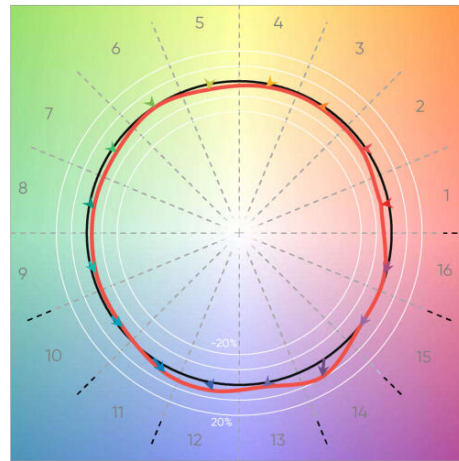
CRI(Ra)	92
CRI(R9)	58
TM30(Rf)	92
TM30(Rg)	100
Duv	-0.0003

CCT 3500K



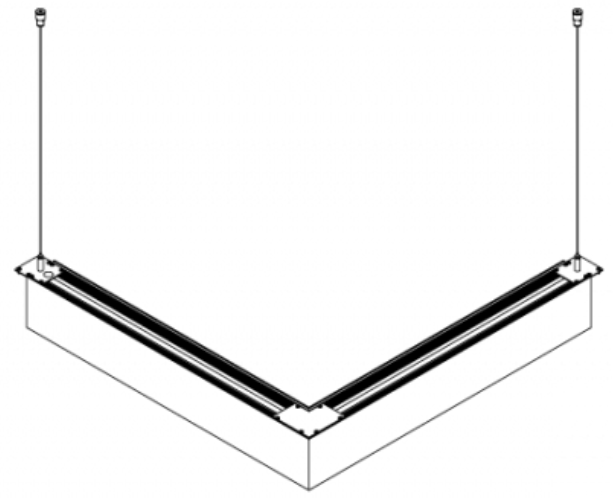
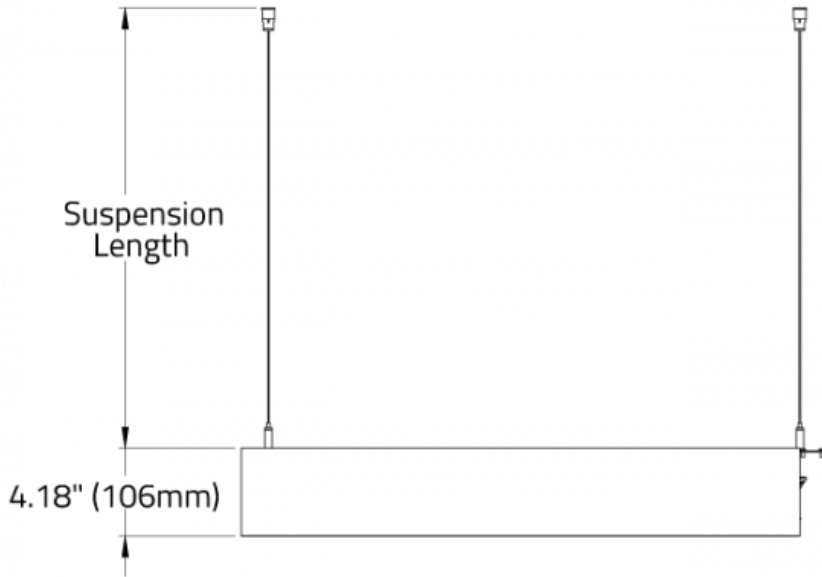
CRI(Ra)	91
CRI(R9)	53
TM30(Rf)	90
TM30(Rg)	99
Duv	-0.0007

CCT 4000K

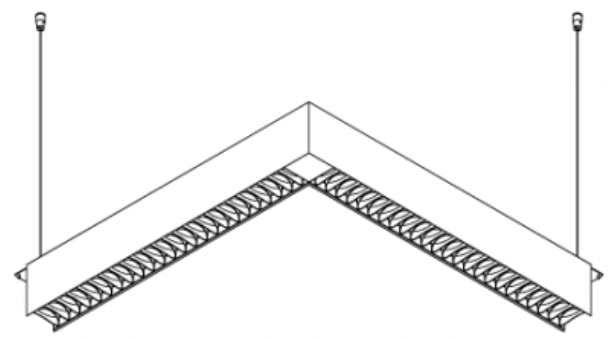
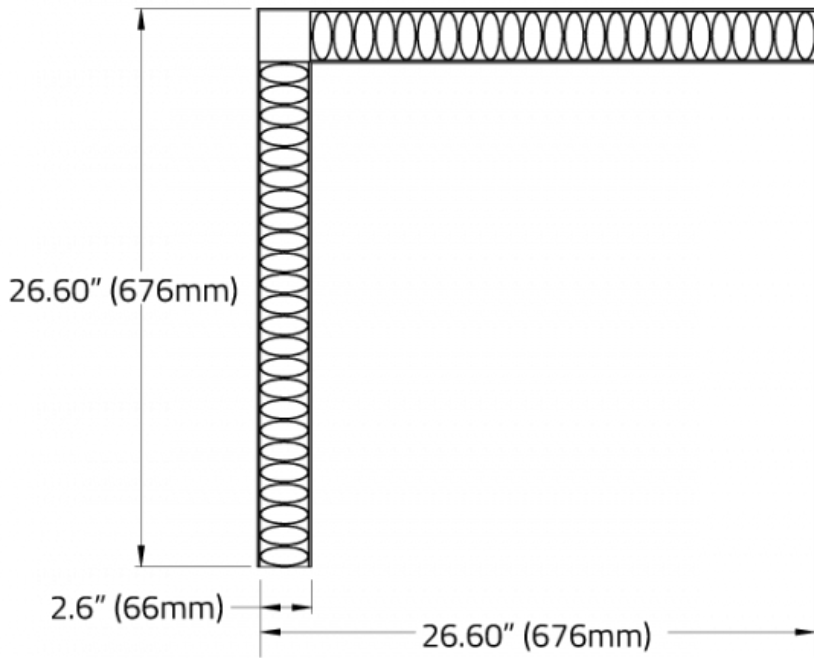


CRI(Ra)	93
CRI(R9)	64
TM30(Rf)	90
TM30(Rg)	98
Duv	0.0000

9 DIMENSIONAL DIAGRAMS



ISOMETRIC TOP VIEW



ISOMETRIC BOTTOM VIEW