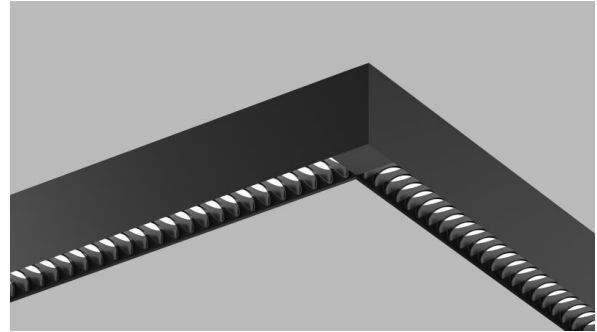




# OOOOH SYSTEMS™

## SHORT SPECIFICATION SHEET



Fixture Type

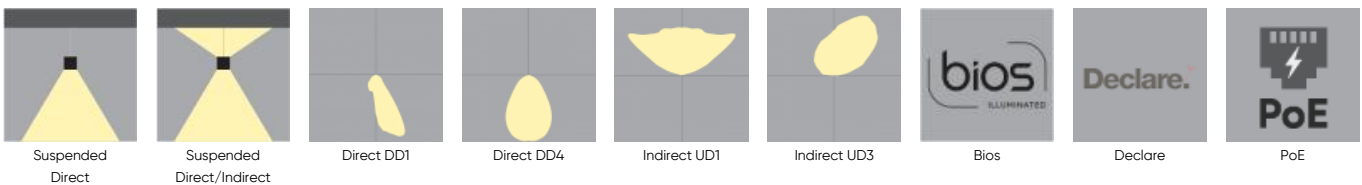
Fixture Code

Quantities

### 1 DESCRIPTION

**OOOOH** dazzles up traditional linear lighting concepts with an innovative louver system. An array of ellipses is incurved to conform to a tunnel-shaped profile creating a subtle aesthetic and sublime lighting effect. The louver system not only tempers the starkness of the commonly exposed diffuser and adds an enchanting decorative feature, but also offers visual comfort by minimizing glare. The injection-molded louvers come in 5 finishes: Black for the highest glare control, White for higher reflectance and performance, and for an interior design enhancement, satinized finishes Satin Chrome, Satin Gold, and Satin Champagne. Build a continuous lighting plan with the new Systems option.

### 2 MOUNTING & OPTICS



### 3 APPROVALS



### 4 GENERAL SPECIFICATION

#### BODY

Aluminum.

#### FINISH

Powder coated

#### **SUSPENSION**

Steel cables.

#### **POE**

Can be integrated into your data network via Power over Ethernet (PoE) connectivity.

#### **DRIVERS**

HPF electronic drivers for 120–277V, 347V (EU–240V). The driver is integral to the fixture housing.

#### **REPORTED L70 @25°C (77°F)**

> 60,000 hrs @ 2000 lumens/ft (6000 lumens/m)

#### **DELIVERED LUMENS**

Delivered lumens & LPW based on 4000K CRI 80+

#### **INTEGRAL EMERGENCY SYSTEM**

Emergency option provides a 1.5 hour (3 hours for EU) emergency lighting facility. The self contained system includes the inverter module, NiCad batteries, LED charge indicator and test switch (NA only). Not available with a 347V supply.

#### **TUNABLE WHITE**

Tunable White range from 2700K to 6500K is available; contact the factory for details.

#### **APPROVALS**

Damp Location (Indoor use only).

#### **DESIGN**

US Pat. No. D969,395.

#### **POWER CABLE**

Silver braided.

#### **BIOS**

For circadian lighting, consult factory.

#### **DIFFUSER**

Opal acrylic. 2.4" width.

#### **ESTIMATED L70 @25°C (77°F)**

> 165,000 hrs @ 2000 lumens/ft (6000 lumens/m)

#### **MECHANICAL**

Luminaires mount directly over J box (by others).

#### **SENSORS**

Compatible with Avi-On, Casambi, Enlighted, Lutron Vive, nLight, NX Lighting Controls, Osram, Philips, and others. Consult factory.

#### **RGBW**

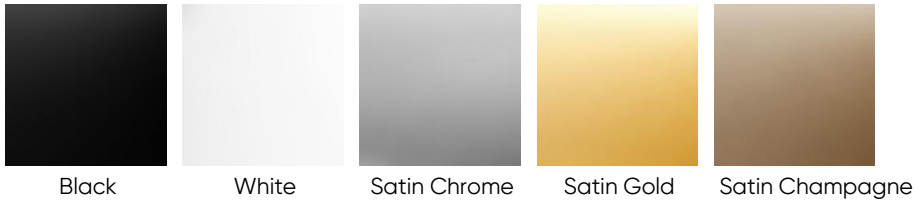
RGBW available, consult factory.

#### **DESIGNED BY**

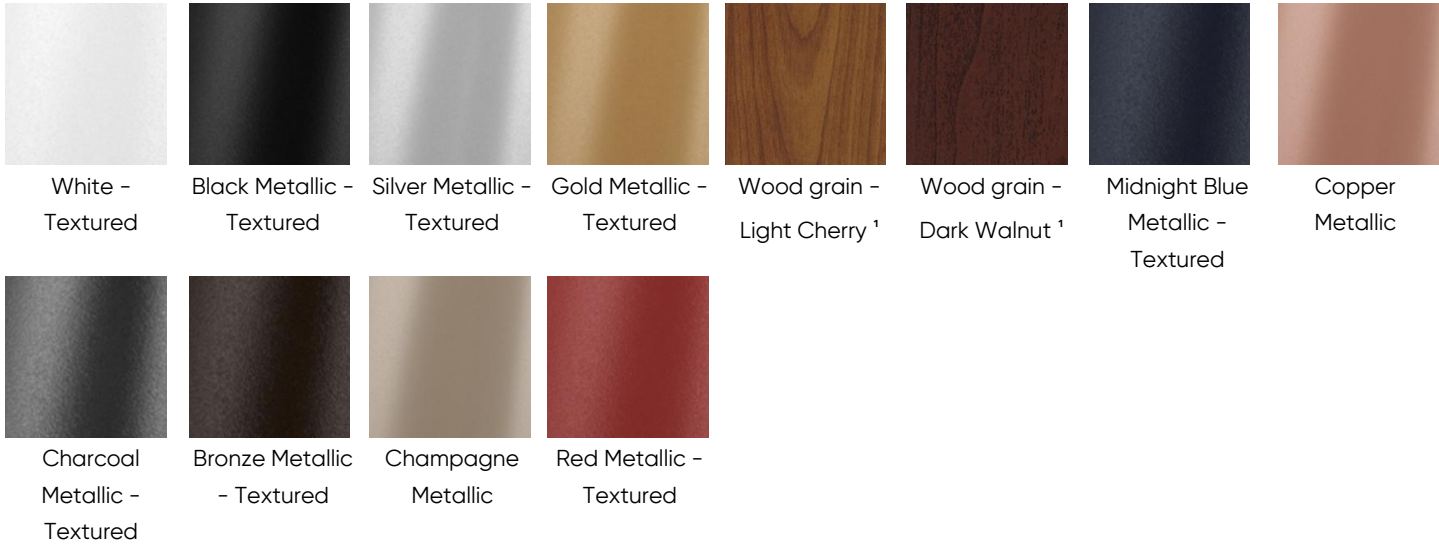
Serge Cornelissen.

**5 DESIGN OPTIONS**

**LOUVER**

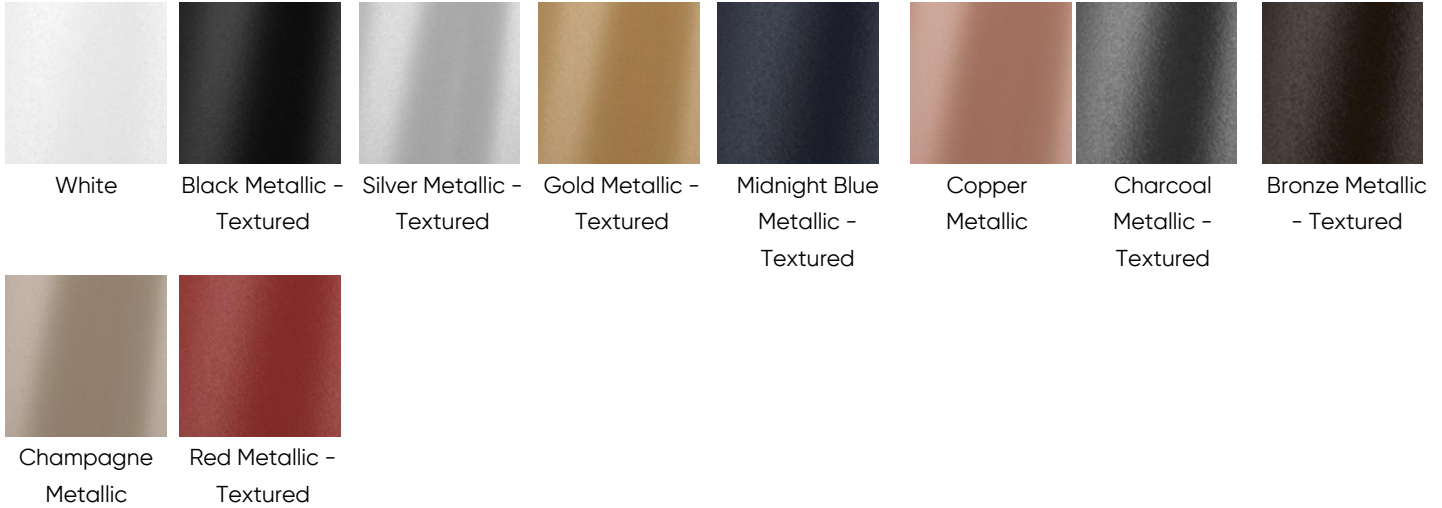


**FINISH**



<sup>1</sup> Longer than normal lead times may apply, consult factory.

**CANOPY FINISH**



**6 HOW TO ORDER**

**A. Choose a Module**

Make a selection from one of the following 7 sections. One power cord for every 50 linear feet. Connection parts for each section are shipped separately for on site assembly. Project drawings are not required for this product.

**STRAIGHT SECTION 2FT**

|   |   |   |  |
|---|---|---|--|
| <b>HL1PSL02</b> 2ft middle section Direct | <b>HL1PSM02</b> 2ft middle section with power cord Direct | <b>HL1PSN02</b> 2ft section with end cap Direct | <b>HL1PSP02</b> 2ft section with end cap and power cord Direct |
|---|---|---|--|

Available as Direct only.

**STRAIGHT SECTION 4FT**

|  |  |  |   |
|--|--|--|---|
| <b>HL1PSL04</b> 4ft middle section Direct          | <b>HL1PSM04</b> 4ft middle section with power cord Direct          | <b>HL1PSN04</b> 4ft section with end cap Direct          | <b>HL1PSP04</b> 4ft section with end cap and power cord Direct          |
| <b>HL2PSL04</b> 4ft middle section Direct/Indirect | <b>HL2PSM04</b> 4ft middle section with power cord Direct/Indirect | <b>HL2PSN04</b> 4ft section with end cap Direct/Indirect | <b>HL2PSP04</b> 4ft section with end cap and power cord Direct/Indirect |

**STRAIGHT SECTION 6FT**

|  |  |  |   |
|--|--|--|---|
| <b>HL1PSL06</b> 6ft middle section Direct          | <b>HL1PSM06</b> 6ft middle section with power cord Direct          | <b>HL1PSN06</b> 6ft section with end cap Direct          | <b>HL1PSP06</b> 6ft section with end cap and power cord Direct          |
| <b>HL2PSL06</b> 6ft middle section Direct/Indirect | <b>HL2PSM06</b> 6ft middle section with power cord Direct/Indirect | <b>HL2PSN06</b> 6ft section with end cap Direct/Indirect | <b>HL2PSP06</b> 6ft section with end cap and power cord Direct/Indirect |

**STRAIGHT SECTION 8FT**

|  |  |  |   |
|--|--|--|---|
| <b>HL1PSL08</b> 8ft middle section Direct          | <b>HL1PSM08</b> 8ft middle section with power cord Direct          | <b>HL1PSN08</b> 8ft section with end cap Direct          | <b>HL1PSP08</b> 8ft section with end cap and power cord Direct          |
| <b>HL2PSL08</b> 8ft middle section Direct/Indirect | <b>HL2PSM08</b> 8ft middle section with power cord Direct/Indirect | <b>HL2PSN08</b> 8ft section with end cap Direct/Indirect | <b>HL2PSP08</b> 8ft section with end cap and power cord Direct/Indirect |

**STRAIGHT SECTION 10FT**

|   |   |   |  |
|---|---|---|--|
| <b>HL1PSL10</b> 10ft middle section Direct          | <b>HL1PSM10</b> 10ft middle section with power cord Direct          | <b>HL1PSN10</b> 10ft section with end cap Direct          | <b>HL1PSP10</b> 10ft section with end cap and power cord Direct          |
| <b>HL2PSL10</b> 10ft middle section Direct/Indirect | <b>HL2PSM10</b> 10ft middle section with power cord Direct/Indirect | <b>HL2PSN10</b> 10ft section with end cap Direct/Indirect | <b>HL2PSP10</b> 10ft section with end cap and power cord Direct/Indirect |

**STRAIGHT SECTION 12FT**

|   |   |   |  |
|---|---|---|--|
| <b>HL1PSL12</b> 12ft middle section Direct          | <b>HL1PSM12</b> 12ft middle section with power cord Direct          | <b>HL1PSN12</b> 12ft section with end cap Direct          | <b>HL1PSP12</b> 12ft section with end cap and power cord Direct          |
| <b>HL2PSL12</b> 12ft middle section Direct/Indirect | <b>HL2PSM12</b> 12ft middle section with power cord Direct/Indirect | <b>HL2PSN12</b> 12ft section with end cap Direct/Indirect | <b>HL2PSP12</b> 12ft section with end cap and power cord Direct/Indirect |

**CORNER SECTION (27"X27" L SHAPE)**

|  |   |   |  |
|--|---|---|--|
| <b>HL1PSL01</b> Corner with no end caps Direct                 | <b>HL1PSM01</b> Corner middle with power cord Direct            | <b>HL1PSN01</b> Corner with Left end cap Direct                         | <b>HL1PSN03</b> Corner with Right end cap Direct                         |
| <b>HL1PSP01</b> Corner with Left end cap and power cord Direct | <b>HL1PSP03</b> Corner with Right end cap and power cord Direct | <b>HL2PSL01</b> Corner with no end caps Direct/Indirect                 | <b>HL2PSM01</b> Corner middle with power cord Direct/Indirect            |
| <b>HL2PSN01</b> Corner with Left end cap Direct/Indirect       | <b>HL2PSN03</b> Corner with Right end cap Direct/Indirect       | <b>HL2PSP01</b> Corner with Left end cap and power cord Direct/Indirect | <b>HL2PSP03</b> Corner with Right end cap and power cord Direct/Indirect |

**B. LOUVER**

|                            |                  |                         |                       |
|----------------------------|------------------|-------------------------|-----------------------|
| <b>LV2</b> Black           | <b>LV3</b> White | <b>LV4</b> Satin Chrome | <b>LV6</b> Satin Gold |
| <b>LV9</b> Satin Champagne |                  |                         |                       |

**C. LM/FT (DIRECT)**

|                          |                          |                         |                          |
|--------------------------|--------------------------|-------------------------|--------------------------|
| <b>LPF020</b> 200 lm/ft  | <b>LPF030</b> 300 lm/ft  | <b>LPF040</b> 400 lm/ft | <b>LPF050</b> 500 lm/ft  |
| <b>LPF060</b> 600 lm/ft  | <b>LPF070</b> 700 lm/ft  | <b>LPF080</b> 800 lm/ft | <b>LPF100</b> 1000 lm/ft |
| <b>LPF120</b> 1200 lm/ft | <b>LPF130</b> 1300 lm/ft |                         |                          |

Lumens/ft are determined by the color of the Louver. Consult website for available lumens/ft based on selected louver.

**D. LM/FT (INDIRECT)**

|                            |                          |                          |                          |
|----------------------------|--------------------------|--------------------------|--------------------------|
| <b>LPG000</b> Not required | <b>LPG020</b> 200 lm/ft  | <b>LPG040</b> 400 lm/ft  | <b>LPG060</b> 600 lm/ft  |
| <b>LPG080</b> 800 lm/ft    | <b>LPG100</b> 1000 lm/ft | <b>LPG120</b> 1200 lm/ft | <b>LPG140</b> 1400 lm/ft |
| <b>LPG160</b> 1650 lm/ft   |                          |                          |                          |

Consult website for available lumens/ft.  
All data shown based on DD3 diffuser.

**E. CRI**

|                     |                     |
|---------------------|---------------------|
| <b>CR80</b> CRI 80+ | <b>CR90</b> CRI 90+ |
|---------------------|---------------------|

**F. CCT (DIRECT)**

|                    |                    |                    |                    |
|--------------------|--------------------|--------------------|--------------------|
| <b>CTA27</b> 2700K | <b>CTA30</b> 3000K | <b>CTA35</b> 3500K | <b>CTA40</b> 4000K |
|--------------------|--------------------|--------------------|--------------------|

**G. CCT (INDIRECT)**

|                           |                    |                    |                    |
|---------------------------|--------------------|--------------------|--------------------|
| <b>CTB00</b> Not required | <b>CTB27</b> 2700K | <b>CTB30</b> 3000K | <b>CTB35</b> 3500K |
| <b>CTB40</b> 4000K        |                    |                    |                    |

**H. DIRECT DIFFUSER**

|   |                             |
|---|-----------------------------|
| <b>DD1</b> Asymmetric diffuser <sup>1</sup> | <b>DD4</b> Comfort diffuser |
|---|-----------------------------|

<sup>1</sup> When standing at the end view of the profile on the side where the power cord is installed, the asymmetric beam will aim to the right.

**I. UPLIGHT DIFFUSER**

|                         |                    |   |
|-------------------------|--------------------|---|
| <b>UD0</b> Not required | <b>UD1</b> Batwing | <b>UD3</b> Asymmetric diffuser <sup>1</sup> |
|-------------------------|--------------------|---|

<sup>1</sup> Available up to 1200 lm/ft.

**J. BLACKOUT PLATE**

|                          |  |
|--------------------------|--|
| <b>UB00</b> Not required | <b>UB_ _</b> Blackout plate <sup>1</sup> |
|--------------------------|--|

<sup>1</sup> Available on a per foot basis. May be required to prevent lighting up duct work in a loft type application.

## K. VOLTAGE

**V1** 120/277V                      **V2** 240V <sup>1</sup>                      **V3** 347V <sup>2</sup>                      **V4** Low Voltage <sup>3</sup>

---

<sup>1</sup> Not available in North America.

<sup>2</sup> Only available with DA01 dimming.

<sup>3</sup> Only available with DA45 dimming.

## L. DIMMING

**DA01** 0–10V Dimming 1.0%                      **DA02** 0–10V Dimming 0.1% <sup>1</sup>                      **DA20** DALI Dimming 0.1% <sup>1</sup>                      **DA21** DALI Dimming 1.0% <sup>1</sup>  
**DA30** DSI/switchDim <sup>2</sup>                      **DA45** PoE <sup>3</sup>

---

<sup>1</sup> Not available with 347V.

<sup>2</sup> Not available in North America.

<sup>3</sup> Only available with V4.

## M. CEILING TYPE

**G1** Grid ceiling <sup>1</sup>                      **H1** Hard ceiling <sup>2</sup>

---

The cost for the canopies, power cables, connections mechanisms and endcaps for the fixture has been added to these items.

<sup>1</sup> Combo kit provided includes installation to T-bar and through tile mount.

<sup>2</sup> Designed for drywall ceilings.

## N. SUSPENSION

**HLA03** 3ft cable suspension                      **HLA06** 6ft cable suspension                      **HLA09** 9ft cable suspension

## O. FIXTURE FINISH

**FA01** White – Textured                      **FA02** Black Metallic – Textured                      **FA20** Silver Metallic – Textured                      **FA25** Gold Metallic – Textured  
**FA27** Wood grain – Light Cherry <sup>1</sup>                      **FA28** Wood grain – Dark Walnut <sup>1</sup>                      **FA44** Midnight Blue Metallic – Textured                      **FA45** Copper Metallic  
**FA46** Charcoal Metallic – Textured                      **FA47** Bronze Metallic – Textured                      **FA52** Champagne Metallic                      **FA53** Red Metallic – Textured

---

<sup>1</sup> Longer than normal lead times may apply, consult factory.

**P. CANOPY FINISH**

|   |                                       |  |  |
|---|---------------------------------------|--|--|
| <b>CF01</b> White                             | <b>CF02</b> Black Metallic - Textured | <b>CF20</b> Silver Metallic - Textured   | <b>CF25</b> Gold Metallic - Textured   |
| <b>CF44</b> Midnight Blue Metallic - Textured | <b>CF45</b> Copper Metallic           | <b>CF46</b> Charcoal Metallic - Textured | <b>CF47</b> Bronze Metallic - Textured |
| <b>CF52</b> Champagne Metallic                | <b>CF53</b> Red Metallic - Textured   |  |  |

**Q. EMERGENCY**

|                        |  |  |
|------------------------|--|--|
| <b>E0</b> Not required | <b>E1</b> Emergency system - Integral <sup>1</sup> | <b>E3</b> Emergency generator circuit <sup>1</sup> |
|------------------------|--|--|

---

<sup>1</sup> A drawing will be required at time of ordering to determine the required number and location of the emergency sections or generator circuits. <sup>1</sup> Available upon request, consult factory for details. Not available with 347V.

**R. CIRCUITS**

|                           |                                      |
|---------------------------|--------------------------------------|
| <b>CS1</b> Single circuit | <b>CS2</b> Dual circuit <sup>1</sup> |
|---------------------------|--------------------------------------|

---

<sup>1</sup> Independent control of uplight for LELP2P.

**S. SENSORS**



**7** PERFORMANCE DATA

**DIRECT COMFORT (DD4) - WHITE LOUVER**

|  | LUMEN/FT | WATT/FT | LPW |
|--|----------|---------|-----|
|  | 1300     | 13      | 106 |
|  | 1200     | 11      | 108 |
|  | 1000     | 9       | 110 |
|  | 800      | 7       | 114 |
|  | 700      | 6       | 115 |
|  | 600      | 5       | 117 |
|  | 500      | 4       | 119 |
|  | 400      | 3       | 121 |
|  | 300      | 3       | 126 |
|  | 200      | 2       | 128 |

**DIRECT COMFORT (DD4) - BLACK LOUVER**

|  | LUMEN/FT | WATT/FT | LPW |
|--|----------|---------|-----|
|  | 700      | 13      | 57  |
|  | 600      | 11      | 58  |
|  | 500      | 9       | 59  |
|  | 400      | 7       | 61  |
|  | 300      | 5       | 63  |
|  | 200      | 3       | 65  |

**DIRECT COMFORT (DD4) - SATIN CHROME LOUVER**

|  | LUMEN/FT | WATT/FT | LPW |
|--|----------|---------|-----|
|  | 1000     | 13      | 84  |
|  | 800      | 9       | 87  |
|  | 700      | 9       | 89  |
|  | 600      | 7       | 90  |
|  | 500      | 5       | 93  |
|  | 400      | 4       | 95  |
|  | 300      | 3       | 95  |
|  | 200      | 2       | 98  |

**DIRECT COMFORT (DD4) - SATIN GOLD LOUVER**

|  | LUMEN/FT | WATT/FT | LPW |
|--|----------|---------|-----|
|  | 1000     | 13      | 82  |
|  | 800      | 9       | 85  |
|  | 700      | 9       | 87  |
|  | 600      | 7       | 88  |
|  | 500      | 5       | 91  |
|  | 400      | 4       | 93  |
|  | 300      | 3       | 93  |
|  | 200      | 2       | 96  |

**DIRECT COMFORT (DD4) - SATIN CHAMPAGNE LOUVER**

|  | LUMEN/FT | WATT/FT | LPW |
|--|----------|---------|-----|
|  | 1000     | 13      | 84  |
|  | 800      | 9       | 87  |
|  | 700      | 9       | 89  |
|  | 600      | 7       | 90  |
|  | 500      | 5       | 93  |
|  | 400      | 4       | 95  |
|  | 300      | 3       | 95  |
|  | 200      | 2       | 98  |

**DIRECT ASYMMETRIC (DD1) - WHITE LOUVER**

|  | LUMEN/FT | WATT/FT | LPW |
|--|----------|---------|-----|
|  | 1200     | 13      | 100 |
|  | 1000     | 11      | 101 |
|  | 800      | 9       | 105 |
|  | 700      | 7       | 107 |
|  | 600      | 6       | 108 |
|  | 500      | 5       | 110 |
|  | 400      | 4       | 112 |
|  | 300      | 3       | 113 |
|  | 200      | 2       | 116 |

**INDIRECT BATWING (UD1)**

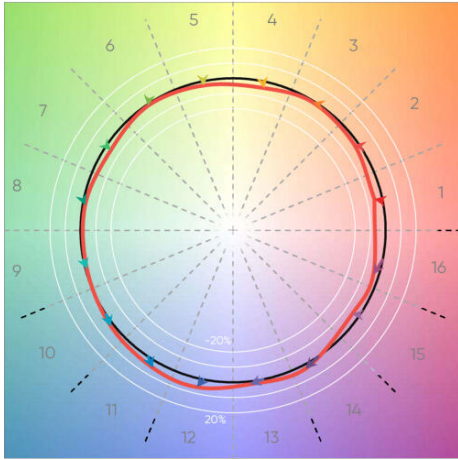
|  | LUMEN/FT | WATT/FT | LPW |
|--|----------|---------|-----|
|  | 1600     | 13      | 133 |
|  | 1400     | 10      | 138 |
|  | 1200     | 9       | 141 |
|  | 1000     | 7       | 145 |
|  | 800      | 6       | 147 |
|  | 600      | 4       | 151 |
|  | 400      | 3       | 154 |
|  | 200      | 1       | 154 |

**INDIRECT ASYMMETRIC (UD3)**

|  | LUMEN/FT | WATT/FT | LPW |
|--|----------|---------|-----|
|  | 1200     | 13      | 97  |
|  | 1000     | 10      | 100 |
|  | 800      | 9       | 102 |
|  | 600      | 6       | 107 |
|  | 400      | 4       | 109 |
|  | 200      | 2       | 112 |

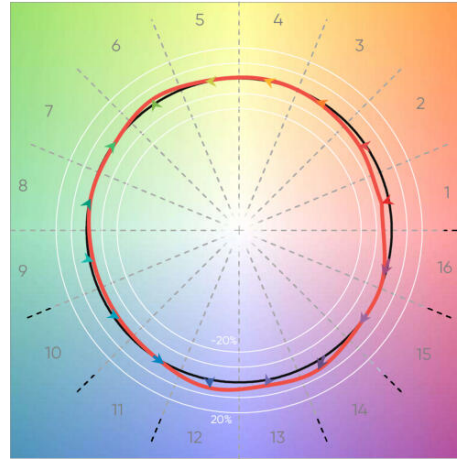
**8** TM-30 DATA

**CCT 2700K**



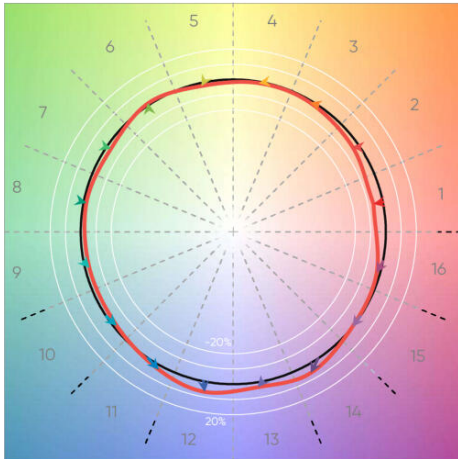
|                 |         |
|-----------------|---------|
| <b>CRI(Ra)</b>  | 93      |
| <b>CRI(R9)</b>  | 61      |
| <b>TM30(Rf)</b> | 91      |
| <b>TM30(Rg)</b> | 98      |
| <b>Duv</b>      | -0.0022 |

**CCT 3000K**



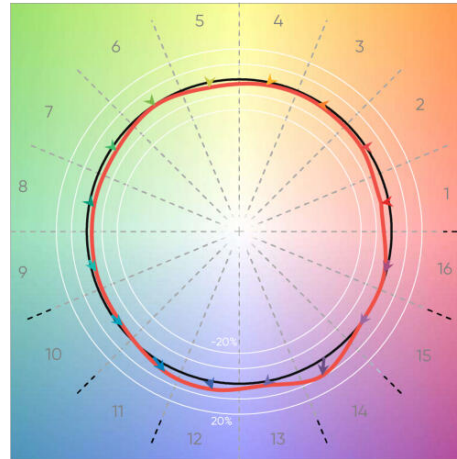
|                 |         |
|-----------------|---------|
| <b>CRI(Ra)</b>  | 92      |
| <b>CRI(R9)</b>  | 58      |
| <b>TM30(Rf)</b> | 92      |
| <b>TM30(Rg)</b> | 100     |
| <b>Duv</b>      | -0.0003 |

**CCT 3500K**



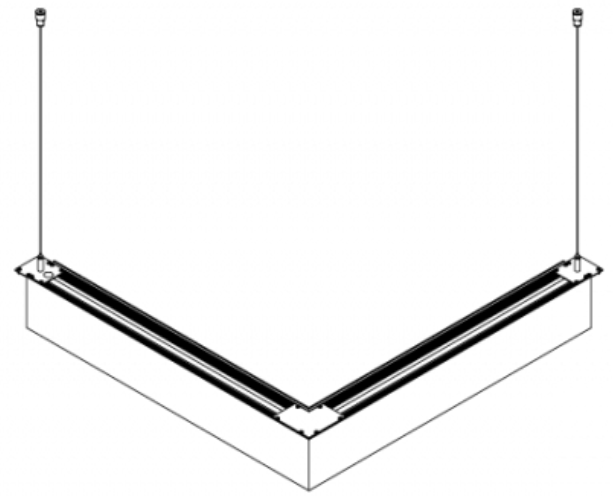
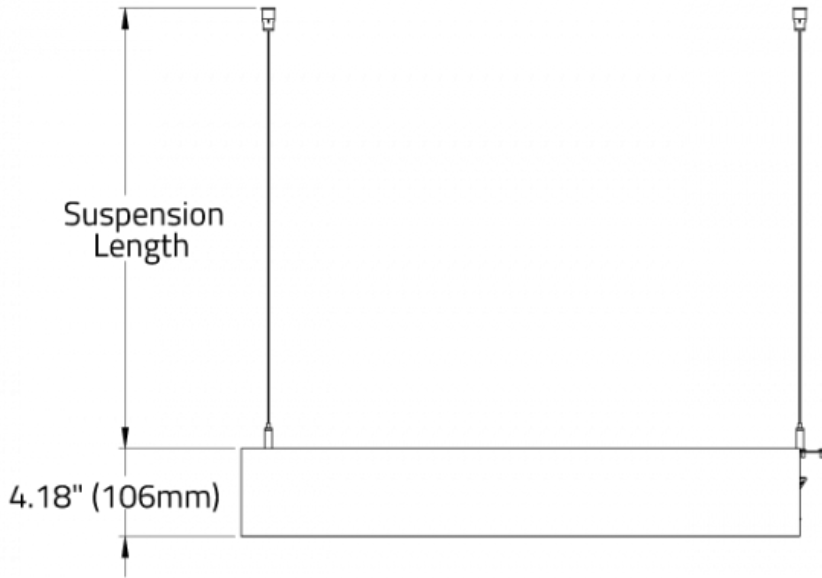
|                 |         |
|-----------------|---------|
| <b>CRI(Ra)</b>  | 91      |
| <b>CRI(R9)</b>  | 53      |
| <b>TM30(Rf)</b> | 90      |
| <b>TM30(Rg)</b> | 99      |
| <b>Duv</b>      | -0.0007 |

**CCT 4000K**

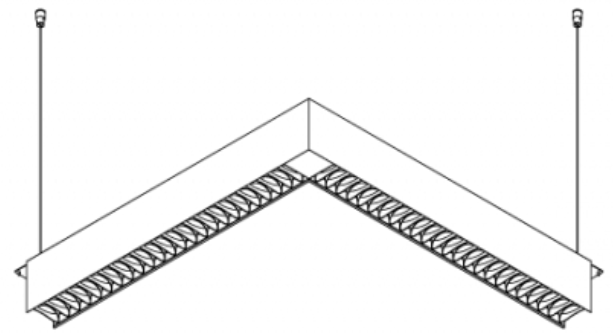
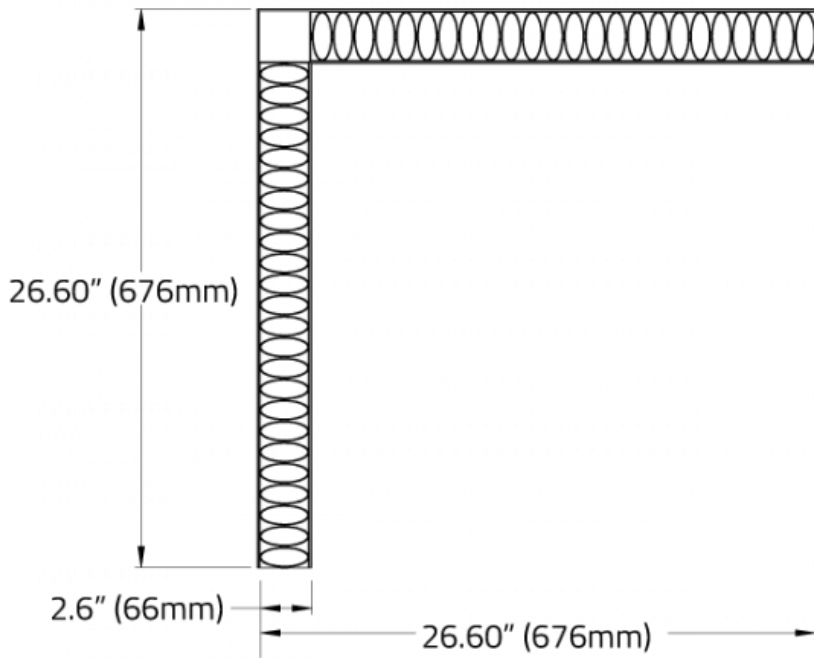


|                 |        |
|-----------------|--------|
| <b>CRI(Ra)</b>  | 93     |
| <b>CRI(R9)</b>  | 64     |
| <b>TM30(Rf)</b> | 90     |
| <b>TM30(Rg)</b> | 98     |
| <b>Duv</b>      | 0.0000 |

9 DIMENSIONAL DIAGRAMS



ISOMETRIC TOP VIEW



ISOMETRIC BOTTOM VIEW