

POLO™ - SUSPENDED

Project Name:

Fixture Type:

Fixture Code:

Quantities:



POLO™ - SUSPENDED



POLO™ - SUSPENDED

Polo™ is a three-sided luminous shape that emits light across both horizontal and vertical planes. It features a highly efficient diffuser which delivers a unique 127 Lumens Per Watt, whilst providing uniform illumination. With its distinct combination of aesthetics and high performance, it can be designed to be the sole light source in any environment. Given its versatility, it can be used in a whole host of contemporary or traditional environments, such as entrances, retail, offices, education and places of worship.

GENERAL SPECIFICATION

Body

Aluminum and steel.

Suspension

Stainless steel cables.

Remote emergency

Emergency option provides a 1.5 hour (3 hours for EU) emergency lighting facility.

The remote system includes the inverter module, NiCad batteries and a remote wall/ceiling LED charge indicator and test switch (NA only) Maximum distance between wall/ceiling plate and luminaire is 15' (4.5m). Test switch fits a single gang box (not supplied).

Drivers

HPF electronic drivers for 120-277V (EU-240V). Drivers are either remote mounted or integral to the canopy depending on the size of the fixture.

PoE

Polo can integrate into your data network via Power over Ethernet (PoE) connectivity.

Delivered lumens

Delivered lumens & LPW based on 4000K CRI 80+.

Acoustic Panels NRC Rating

0.80.

Acoustic Panels Material

100% recycled polyester fiber (PET).

L70 @25°C

> 50,000 hrs.

Canopy Finish

White Powder coated.

Power cable

Silver braided.

Remote mounting of drivers

Wire Size 18 AWG - Max distance (from canopy to drivers) 9.5' (3m), Wire size 16 AWG - Max distance 19.5' (6m), Wire size 14 AWG - Max distance 29.5' (9m).

Drivers must be accessible after installation.

Diffuser

Acrylic.

Mechanical

Luminaires mount directly over J box (by others - North America only).

Sensors

Consult factory regarding sensor compatibility.

Acoustic Panels Class A Fire Rating

ASTM E-84 material.

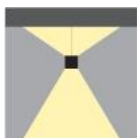
Acoustic Panels Thickness

12mm (0.5").

Approvals

Damp Rated.

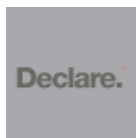
MOUNTING & OPTICS



Suspended Direct/Indirect



Acoustic



Declare



PoE



POLO™ - SUSPENDED

HOW TO ORDER

A. LUMINAIRE

PLPD1P02 24", 8000 lms

PLPD1P03 36", 12000 lms

PLPD1P04 48", 16000 lms

PLPD1P05 60", 22000 lms

All data shown at max output and nominal values.

B. LUMENS/FT

LFA050 500 lm/ft¹

LFA065 650 lm/ft²

LFA100 1000 lm/ft³

LFA130 1300 lm/ft⁴

C. CRI

CR80 CRI 80+

D. CCT

CTA27 2700K

CTA30 3000K

CTA35 3500K

CTA40 4000K

E. VOLTAGE

V1 120/277V

V2 240V¹

V3 347V²

V4 Low Voltage³

¹ Not available in North America.

² Available with DA01 dimming only.

³ To be used with DA45 only.

F. DIMMING

DA01 0-10V Dimming 1.0%

DA02 0-10V Dimming 0.1%

DA20 DALI Dimming 0.1%

DA21 DALI Dimming 1.0%

DA30 DSI/switchDim¹

DA45 PoE²

¹ Not available in North America.

² Must be used with V4 only.

G. SUSPENSION

SS1 Vertical, Remote driver

SS2 Hub, Remote driver

SS3 Vertical, Driver Integral to Canopy

SS4 Hub, Driver Integral to Canopy

H. EMERGENCY

E0 Not required

E2 Emergency system - Remote

Integral emergency not available.

I. ACOUSTIC PANEL COLOR

AP00 Not required

AP04 White

AP13 Apple Green

AP22 Blue

AP11 Light Gray

AP26 Sesame Gray

AP27 Black

60" available with visible seams, consult factory.

Other finishes available. Consult factory.



POLO™ - SUSPENDED

TECHNICAL DATA

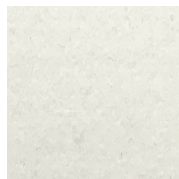
LUMINAIRE

All data shown at max output and nominal values.

Code	PLPD1P02	PLPD1P03	PLPD1P04	PLPD1P05
Diameter (A)	24"	36"	48"	60"
Wattage	63W	98W	133W	175W
Lms/Ft	1300	1300	1300	1300
Delivered lms	8000	12000	16000	22000
LPW	127	127	127	127
Diameter (B)	15.5"	26.9"	38.7"	51.0"
Depth (D)	4.5"	5.0"	5.0"	5.0"

ACOUSTIC PANEL COLOR

Not required



White



Apple Green



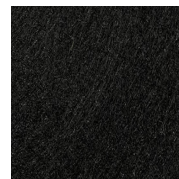
Blue



Light Gray



Sesame Gray



Black

60" available with visible seams, consult factory.

Other finishes available. Consult factory.

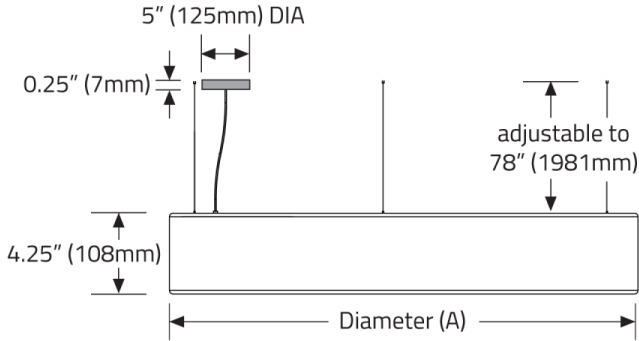
APPROVALS



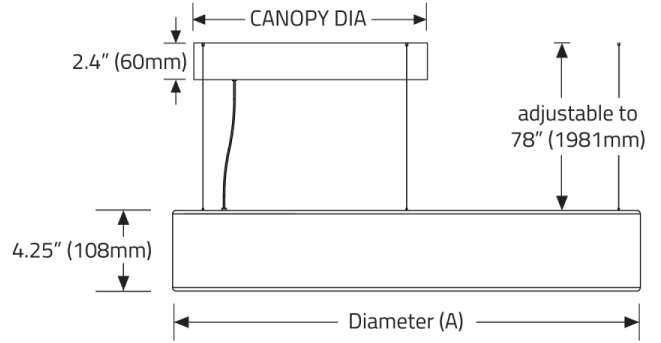
POLO™ - SUSPENDED

DIMENSIONAL DIAGRAMS

SS1 VERTICAL, REMOTE DRIVER



SS3 VERTICAL - INTEGRAL DRIVER



Canopy size: 11" (280MM) DIA:

- PLPD1P02 (LFA050,LFA065,LFA100,LFA130)
- PLPD1P03 (LFA050,LFA065,LFA100,LFA130)
- PLPD1P04 (LFA050,LFA065)
- PLPD1P05 (LFA050,LFA065)

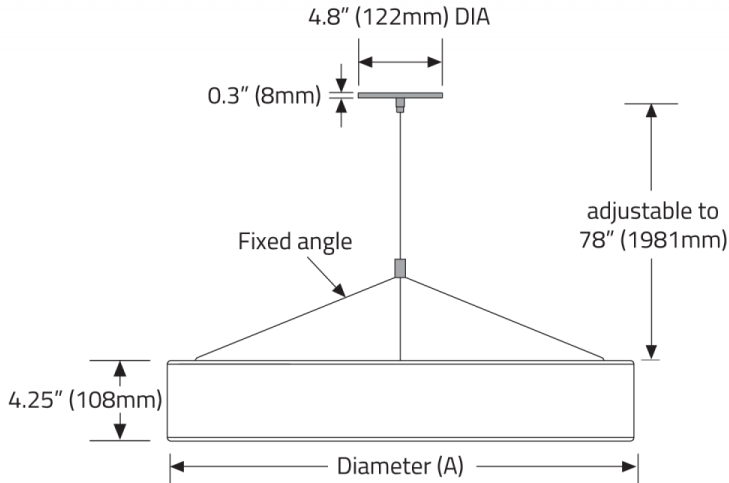
13.4" (340MM) DIA:

- PLPD1P04 (LFA100,LFA130)

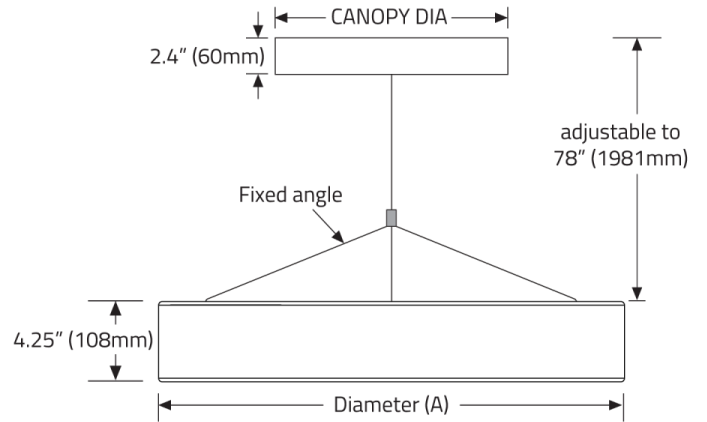
15.4" (391MM) DIA:

- PLPD1P05 (LFA100,LFA130)

SS2 HUB - REMOTE DRIVER



SS4 HUB - INTEGRAL DRIVER



Canopy size: 11" (280MM) DIA:

- PLPD1P02 (LFA050,LFA065,LFA100,LFA130)
- PLPD1P03 (LFA050,LFA065,LFA100,LFA130)
- PLPD1P04 (LFA050,LFA065)
- PLPD1P05 (LFA050,LFA065)

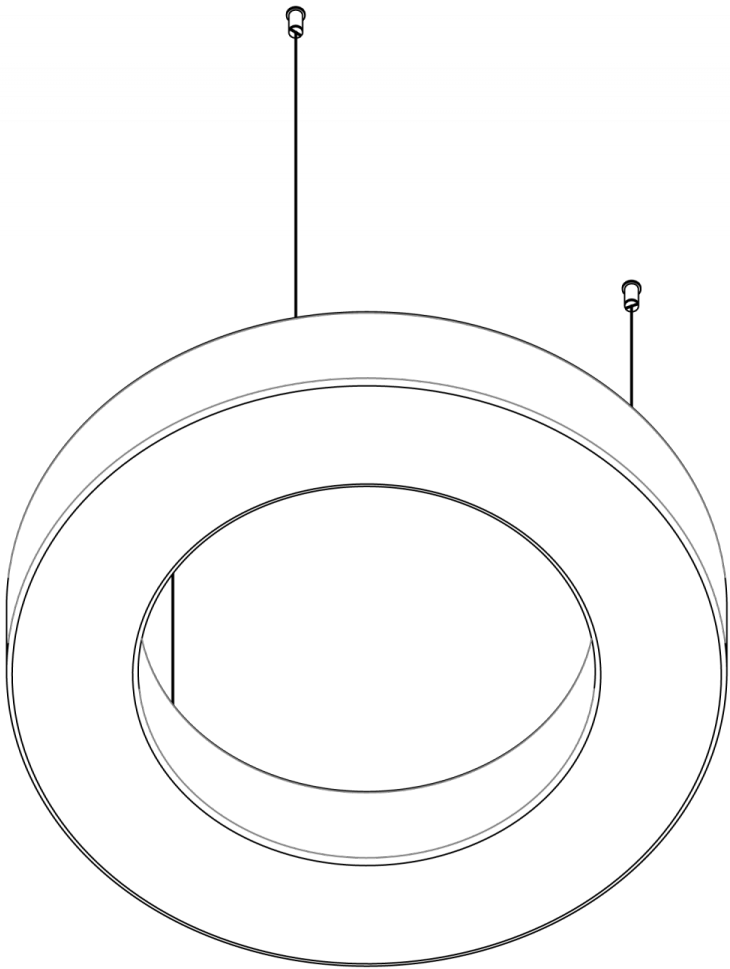
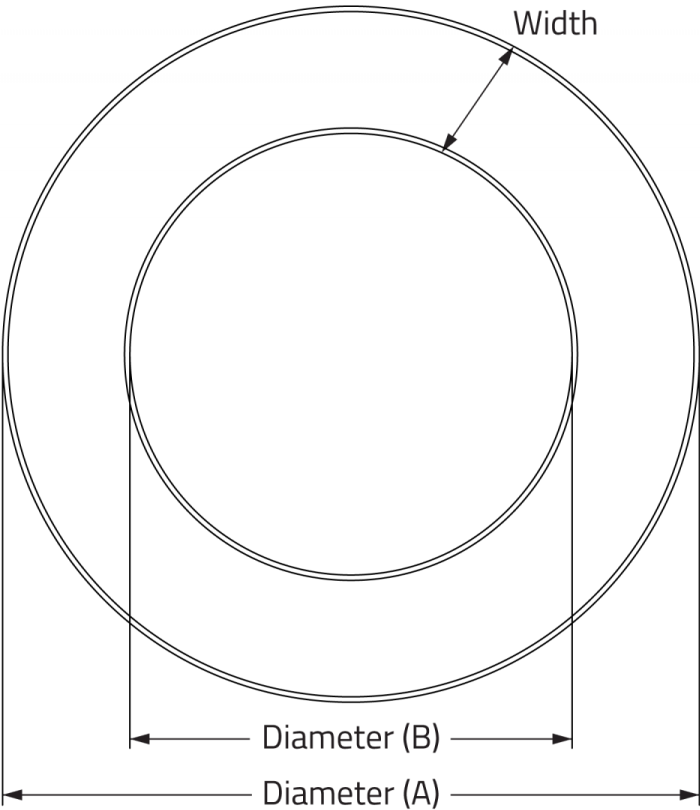
13.4" (340MM) DIA:

- PLPD1P04 (LFA100,LFA130)

15.4" (391MM) DIA:

- PLPD1P05 (LFA100,LFA130)

POLO™ - SUSPENDED



ISOMETRIC VIEW

CODE	DIAMETER (A)	DIAMETER (B)	WIDTH
PLPD1P02	24.5" (622mm)	15.5" (394mm)	4.5" (114mm)
PLPD1P03	36.6" (930mm)	26.9" (683mm)	5" (127mm)
PLPD1P04	48.7" (1237mm)	38.7" (983mm)	5" (127mm)
PLPD1P05	61.3" (1556mm)	51" (1295mm)	5" (127mm)