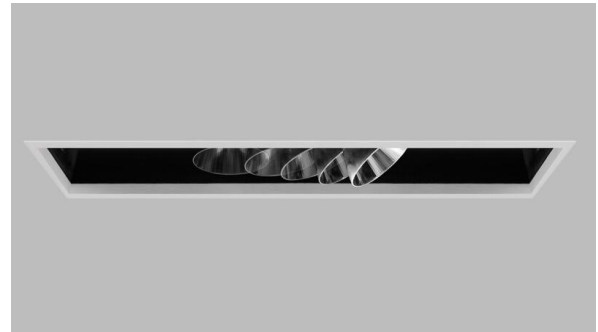




# RAIL-LITE™

## FULL SPECIFICATION SHEET



FIXTURE TYPE



FIXTURE CODE

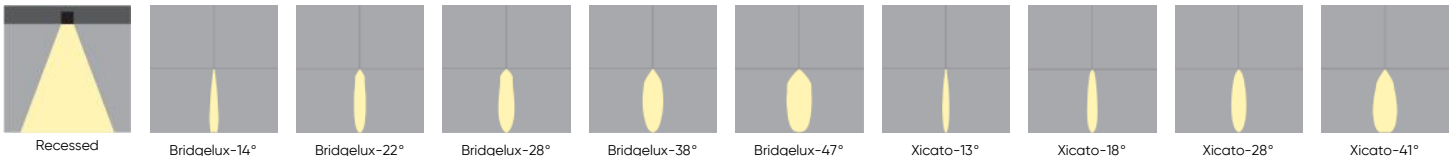


QUANTITIES

### 1 DESCRIPTION

The multiple spot system blends into architecture and conceals the light sources for a discreet look. **RAIL-LITE** sections connect solely mechanically and can run distances as required for the space with L, T, and X connections to feed light where it is needed. **RAIL-LITE** is ideal as a retail solution with ultimate beam control and high color rendering. The spots can be adjusted laterally within the channel to target more accurately and the angling of the beam adjusts in 5° increments up to 45°. A CRI of 90 displays the true color of objects making merchandise more distinguishable.

### 2 OPTICS & FEATURES



Declare

### 3 APPROVALS



**4** GENERAL SPECIFICATION

**HOUSING**

Steel and aluminum, black finish internal and external.

**ROTATING**

360° limit.

**REFLECTORS**

Narrow, medium and wide beam, highly reflective, specular finish, vacuum plated. Twist'N'Lock reflectors for on-site switching.

**BEZEL TRIM VERSION**

Extruded aluminum. For installation into ceilings with a thickness range of 1/2" to 3/4" (12mm-19mm).

**POE**

Rail-Lite can integrate into your data network via Power over Ethernet (PoE) connectivity.

**LEDS**

High power, LEDs can be replaced from below.

**LINKS**

<https://www.bridgelux.com/products/v-series#specifications>

<https://www.xicato.com/products/light-sources/xtm/>

**REPORTED L70 @25°C(77°F)**

> 60,000 hrs.

**NOTE**

Continuous runs connect mechanically but do not connect electrically. Each module requires a power supply. Power can be daisy chained from one module to another. LED heads slide as far as the inside corner of Corner, T Junction and X Junction accessories.

Photometric testing performed using LM79 procedures.

For all other reflectors types please consult photometric files. Due to constant change in LEDs, please check our website for current product specifications.

Rail-Lite™ | Patent Pending (United States, Canada and European Patent Convention)

**ANGLING**

0° to 45° in 5° intervals.

**LED HEAT SINK**

Extruded aluminum.

**DRIVERS**

Constant Current driver for 120-277V (EU-240V). Drivers can be replaced from below. The driver is integral to the fixture housing.

**SLIDING**

Individual heads can slide a maximum of 2' / 610mm left or right of its centre point.

**ELECTRICAL**

Integral junction box for branch circuit through wiring.

**SENSORS**

Consult factory regarding sensor compatibility.

**DELIVERED LUMENS**

Delivered lumens & LPW based on 3000K (min 80 CRI).

**APPROVALS**

Damp Rated.

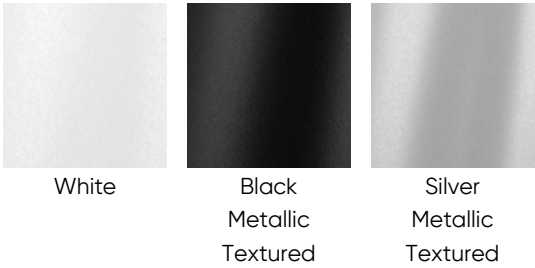
**SUSTAINABILITY**

Designed for on-site LED board, driver, and optic replacement.

Contact the factory for maintenance documentation.

**5 DESIGN OPTIONS**

**BEZEL TRIM FINISH**



**6 HOW TO ORDER**

**1. LUMINAIRE**

**525148** 48" - 3 to 5 LED Heads      **525196** 96" - 3 to 7 LED Heads      **525144** 144" - 4 to 10 LED Heads

We highly recommend you supply a drawing to allow us to verify you have quoted correctly. A drawing will be required at the time of order placement. This fixture is continuous run only if you require individual fixtures please order the non-continuous run version.

**2. NUMBER OF HEADS**

<b>H03</b> 3 LED Heads	<b>H04</b> 4 LED Heads	<b>H05</b> 5 LED Heads	<b>H06</b> 6 LED Heads
<b>H07</b> 7 LED Heads	<b>H08</b> 8 LED Heads	<b>H09</b> 9 LED Heads	<b>H10</b> 10 LED Heads

**3. LED TYPE**

<b>B27A</b> Bridgelux V18, 2700K, 80 CRI, 3069 lms	<b>B27B</b> Bridgelux V18, 2700K, 90 CRI, 2397 lms	<b>B30A</b> Bridgelux V18, 3000K, 80 CRI, 3218 lms	<b>B30B</b> Bridgelux V18, 3000K, 90 CRI, 2498 lms
<b>B35A</b> Bridgelux V18, 3500K, 80 CRI, 3313 lms	<b>B40A</b> Bridgelux V18, 4000K, 80 CRI, 3333 lms	<b>B40B</b> Bridgelux V18, 4000K, 90 CRI, 2840 lms	<b>X27A</b> Xicato Standard, 2700K, 83 CRI, 2262 lms
<b>X30A</b> Xicato Standard, 3000K, 83 CRI, 2262 lms	<b>X35A</b> Xicato Standard, 3500K, 83 CRI, 2262 lms	<b>X40A</b> Xicato Standard, 4000K, 83 CRI, 2262 lms	<b>X30B</b> Xicato Vibrant V80, 3000K, 83 CRI, 2262 lms
<b>X27C</b> Xicato Artist, 2700K, 98 CRI, 2262 lms	<b>X30C</b> Xicato Artist, 3000K, 98 CRI, 2262 lms	<b>X35C</b> Xicato Artist, 3500K, 98 CRI, 2262 lms	<b>X40C</b> Xicato Artist, 4000K, 98 CRI, 2262 lms
<b>X30D</b> Xicato Vibrant V95, 3000K, 98 CRI, 2262 lms			

**4. PROFILE APERTURE**

<b>5W</b> Narrow	<b>6W</b> Medium	<b>9W</b> Wide
------------------	------------------	----------------

**5. BEZEL TRIM FINISH**

<b>WH</b> White	<b>BL</b> Black Metallic Textured	<b>SL</b> Silver Metallic Textured
-----------------	-----------------------------------	------------------------------------

## 6. BRIDGELUX REFLECTORS

**529001** Narrow Beam 14° (5" dia)    **529002** Medium Beam 22° (5" dia)    **529003** Medium Beam 38° (3" dia)    **529004** Narrow Beam 28° (3" dia)  
**529005** Wide Beam 47° (3" dia)

## 7. XICATO REFLECTORS

**529011** Narrow Beam 13° (5" dia)    **529012** Wide Beam 41° (5" dia)    **529013** Narrow Beam 18° (3" dia)    **529014** Medium Beam 28° (3" dia)

## 8. END CAPS (MINIMUM OF 2/CONFIGURATION REQUIRED)

**529051** Narrow Aperture (5W) End Cap    **529061** Medium Aperture (6W) End Cap    **529091** Wide Aperture (9W) End Cap

## 9. DIMMING OPTIONS

**D1** 0-10V Dimming (1%)    **D2** 0-10V Dimming (0.1%)    **DA** DALI dimming (0.1%)    **DL** DALI dimming (1%)  
**L1** Lutron L3DA3W Hi-Lume 1% 3-wire    **L2** Lutron LDE1 Hi-Lume 1% EcoSystem    **DE** PoE

DE must be used with EV only.

## 10. CORNER - WIDTH & LENGTH (419MM/16.5")

**529052** Narrow Aperture (5W) Corner    **529062** Medium Aperture (6W) Corner    **529092** Wide Aperture (9W) Corner

## 11. T JUNCTION - WIDTH (439MM/17.3"), LENGTH (419MM/16.5")

**529053** Narrow Aperture (5W) T Junction    **529063** Medium Aperture (6W) T Junction    **529093** Wide Aperture (9W) T Junction

## 12. X JUNCTION - WIDTH & LENGTH (439MM/17.3")

**529054** Narrow Aperture (5W) X Junction    **529064** Medium Aperture (6W) X Junction    **529094** Wide Aperture (9W) X Junction

## 13. OPTIONAL LOW VOLTAGE

**EV** Low Voltage

To be used with DE only.

**7 TECHNICAL DATA**

**LUMINAIRE**

We highly recommend you supply a drawing to allow us to verify you have quoted correctly. A drawing will be required at the time of order placement. This fixture is continuous run only if you require individual fixtures please order the non-continuous run version.

Code	<b>525148</b>	<b>525196</b>	<b>525144</b>
Fixture Length	48" - 3 to 5 LED	96" - 3 to 7 LED	144" - 4 to 10 LED
	Heads	Heads	Heads

**LED TYPE**

Code	<b>B27A</b>	<b>B27B</b>	<b>B30A</b>	<b>B30B</b>	<b>B35A</b>	<b>B40A</b>
Manufacturer/Type	Bridgelux V18	Bridgelux V18	Bridgelux V18	Bridgelux V18	Bridgelux V18	Bridgelux V18
CCT	2700K	2700K	3000K	3000K	3500K	4000K
CRI	80	90	80	90	80	80
Power	38W	38W	38W	38W	38W	38W
Delivered lms	3069	2397	3218	2498	3313	3333
LPW	80	63	84	65	87	87
CBCP	29964	23408	31423	24391	32349	32541

Code	<b>B40B</b>	<b>X27A</b>	<b>X30A</b>	<b>X35A</b>	<b>X40A</b>	<b>X30B</b>
Manufacturer/Type	Bridgelux V18	Xicato Standard	Xicato Standard	Xicato Standard	Xicato Standard	Xicato Vibrant V80
CCT	4000K	2700K	3000K	3500K	4000K	3000K
CRI	90	83	83	83	83	83
Power	38W	36W	36W	36W	36W	36W
Delivered lms	2840	2262	2262	2262	2262	2262
LPW	74	62	62	62	62	62
CBCP	27732	6201	6201	6201	6201	6201

Code	<b>X27C</b>	<b>X30C</b>	<b>X35C</b>	<b>X40C</b>	<b>X30D</b>
Manufacturer/Type	Xicato Artist	Xicato Artist	Xicato Artist	Xicato Artist	Xicato Vibrant V95
CCT	2700K	3000K	3500K	4000K	3000K
CRI	98	98	98	98	98
Power	41W	41W	41W	41W	41W
Delivered lms	2262	2262	2262	2262	2262
LPW	55	55	55	55	55
CBCP	6201	6201	6201	6201	6201

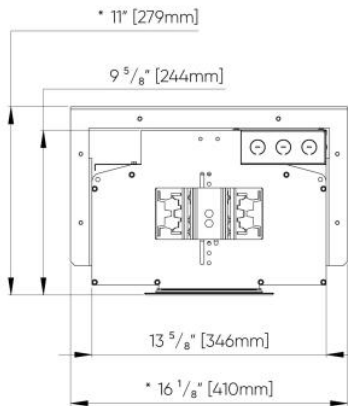
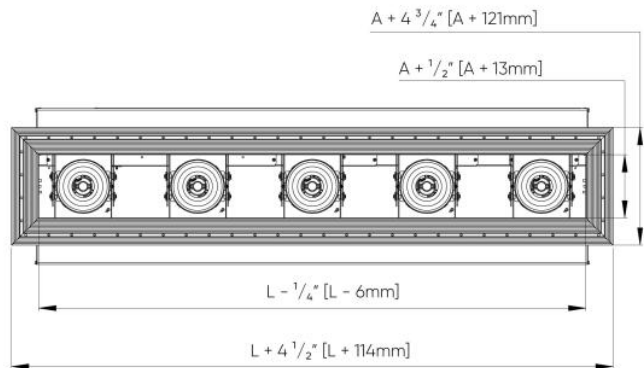
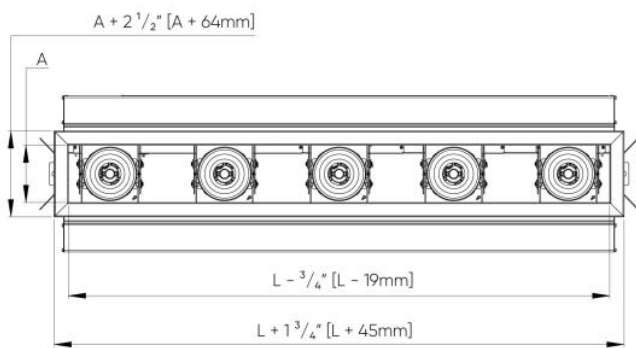
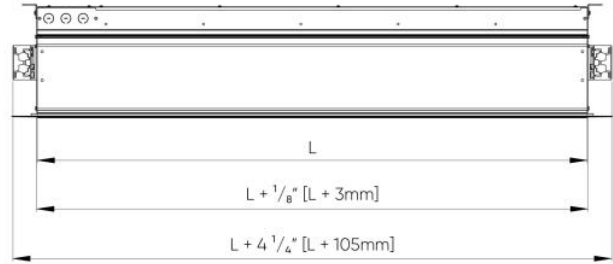
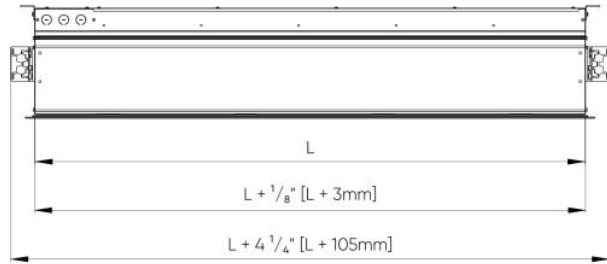
**PROFILE APERTURE**

Code	<b>5W</b>	<b>6W</b>	<b>9W</b>
Aperture	Narrow	Medium	Wide
A	5"	6.5"	9"

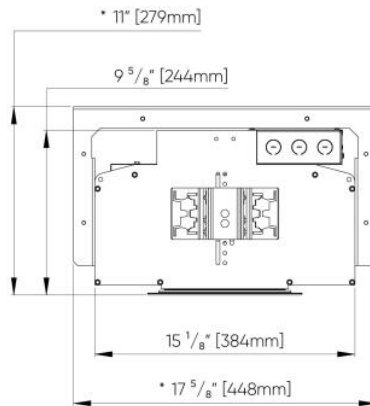
**8** DIMENSIONAL DIAGRAMS

**Bezel Trim**

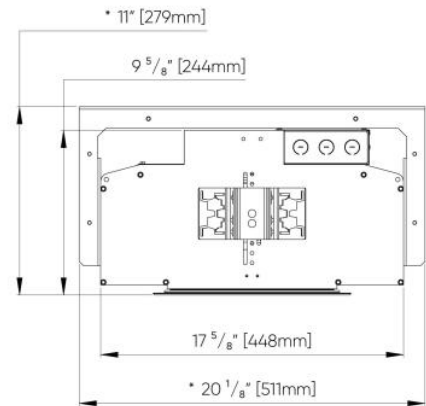
**Trimless**



**5W**



**6W**



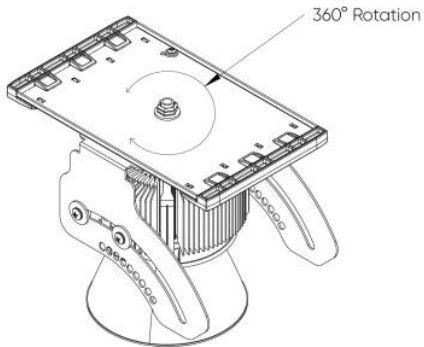
**9W**

FIXTURE LENGTH (L)							
12" [305mm]	18" [457mm]	24" [610mm]	36" [914mm]	48" [1219mm]	60" [1524mm]	72" [1829mm]	96" [2438mm]
144" [3658mm]							

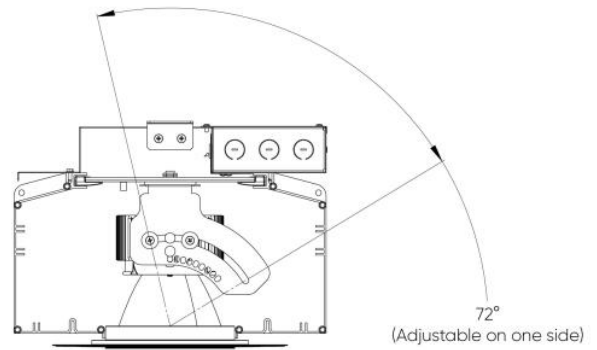
PROFILE APERTURE (A)		
5W	6W	9W
5"	6 1/2"	9"

\* Applies to length >72

### Adjustability of Heads

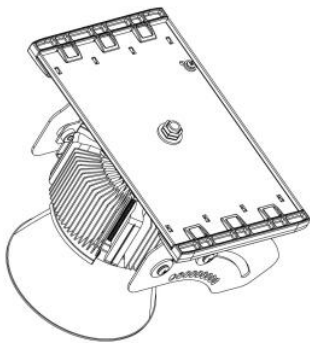


Rotation on Major Axis

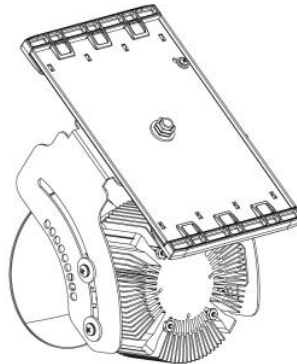


Tilt on Minor Axis

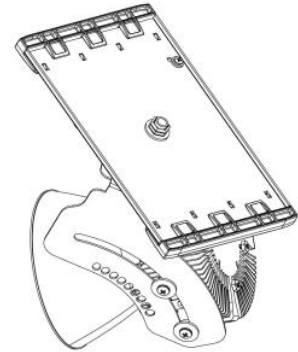
### ISO VIEW



90° Rotation



45° Tilt



45° Tilt +45° Rotation