

RAIL-LITE™ - CONTINUOUS RUN BEZEL TRIM



Project Name:

Fixture Type:

Fixture Code:

Quantities:

A. LUMINAIRE

525148 48" - 3 to 5 LED Heads

525196 96" - 3 to 7 LED Heads

525144 144" - 4 to 10 LED Heads

We highly recommend you supply a drawing to allow us to verify you have quoted correctly.

A drawing will be required at the time of order placement.

This fixture is continuous run only if you require individual fixtures please order the non-continuous run version.

B. NUMBER OF HEADS

H03 3 LED Heads

H04 4 LED Heads

H05 5 LED Heads

H06 6 LED Heads

H07 7 LED Heads

H08 8 LED Heads

H09 9 LED Heads

H10 10 LED Heads

C. LED TYPE

B27A Bridgelux V18, 2700K, 80 CRI, 3069 lms

B27B Bridgelux V18, 2700K, 90 CRI, 2397 lms

B30A Bridgelux V18, 3000K, 80 CRI, 3218 lms

B30B Bridgelux V18, 3000K, 90 CRI, 2498 lms

B35A Bridgelux V18, 3500K, 80 CRI, 3313 lms

B40A Bridgelux V18, 4000K, 80 CRI, 3333 lms

B40B Bridgelux V18, 4000K, 90 CRI, 2840 lms

X27A Xicato Standard, 2700K, 83 CRI, 2262 lms

X30A Xicato Standard, 3000K, 83 CRI, 2262 lms

X35A Xicato Standard, 3500K, 83 CRI, 2262 lms

X40A Xicato Standard, 4000K, 83 CRI, 2262 lms

X30B Xicato Vibrant V80, 3000K, 83 CRI, 2262 lms

X27C Xicato Artist, 2700K, 98 CRI, 2262 lms

X30C Xicato Artist, 3000K, 98 CRI, 2262 lms

X35C Xicato Artist, 3500K, 98 CRI, 2262 lms

X40C Xicato Artist, 4000K, 98 CRI, 2262 lms

X30D Xicato Vibrant V95, 3000K, 98 CRI, 2262 lms

D. PROFILE APERTURE

5W Narrow

6W Medium

9W Wide

E. BEZEL TRIM FINISH

WH White

BL Black Metallic Textured

SL Silver Metallic Textured

F. BRIDGELUX REFLECTORS

529001 Narrow Beam 14° (5" dia)

529002 Medium Beam 22° (5" dia)

529003 Medium Beam 38° (3" dia)

529004 Narrow Beam 28° (3" dia)

529005 Wide Beam 47° (3" dia)

G. XICATO REFLECTORS

529011 Narrow Beam 13° (5" dia)

529012 Wide Beam 41° (5" dia)

529013 Narrow Beam 18° (3" dia)

529014 Medium Beam 28° (3" dia)

H. END CAPS (MINIMUM OF 2/CONFIGURATION REQUIRED)

529051 Narrow Aperture (5W) End Cap

529061 Medium Aperture (6W) End Cap

529091 Wide Aperture (9W) End Cap

I. DIMMING OPTIONS

D1 0-10V Dimming (1%)

D2 0-10V Dimming (0.1%)

DA DALI dimming (0.1%)

DL DALI dimming (1%)

L1 Lutron L3DA3W Hi-Lume 1% 3-wire

L2 Lutron LDE1 Hi-Lume 1% EcoSystem

DE PoE

DE must be used with EV only.



RAIL-LITE™ - CONTINUOUS RUN BEZEL TRIM

J. CORNER - WIDTH & LENGTH (419MM/16.5")

529052 Narrow Aperture (5W) Corner **529062** Medium Aperture (6W) Corner **529092** Wide Aperture (9W) Corner

K. T JUNCTION - WIDTH (439MM/17.3"), LENGTH (419MM/16.5")

529053 Narrow Aperture (5W) T Junction **529063** Medium Aperture (6W) T Junction **529093** Wide Aperture (9W) T Junction

L. X JUNCTION - WIDTH & LENGTH (439MM/17.3")

529054 Narrow Aperture (5W) X Junction **529064** Medium Aperture (6W) X Junction **529094** Wide Aperture (9W) X Junction

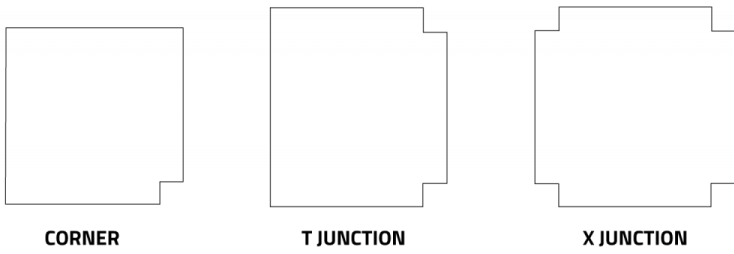
M. OPTIONAL LOW VOLTAGE

EV Low Voltage

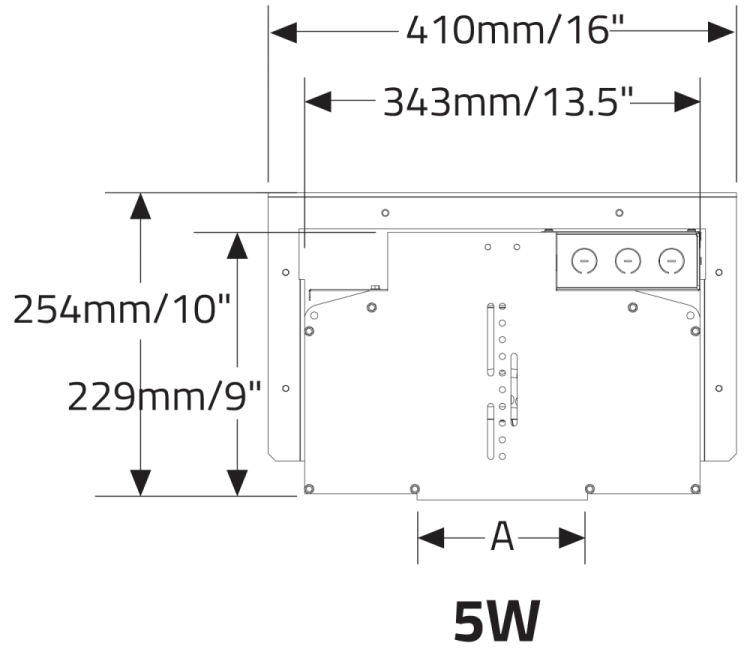
To be used with DE only.

RAIL-LITE™ - CONTINUOUS RUN BEZEL TRIM

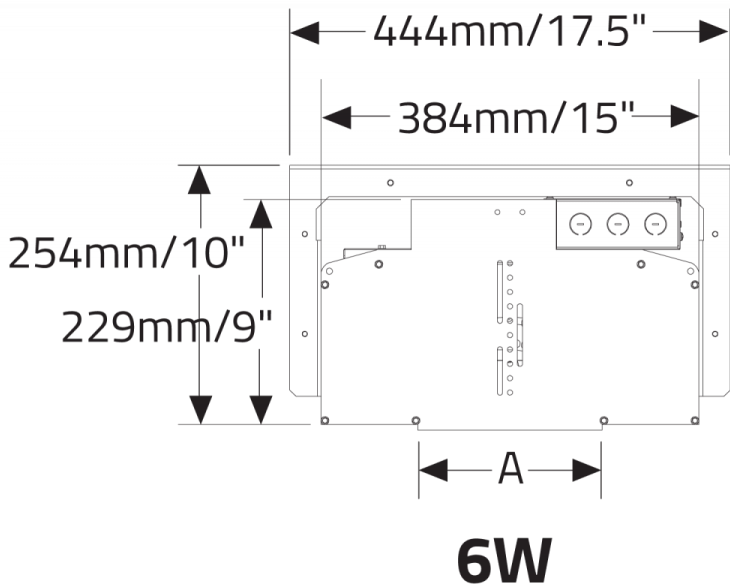
DIMENSIONAL DIAGRAMS



Narrow Aperture



Medium Aperture



Wide Aperture

