

# RAIL-LITE™ - BEZEL TRIM (NON-CONTINUOUS)

Project Name:

Fixture Type:

Fixture Code:

Quantities:



RAIL-LITE™ - BEZEL TRIM (NON-CONTINUOUS)



# RAIL-LITE™ - BEZEL TRIM (NON-CONTINUOUS)

The multiple spot system blends into architecture and conceals the light sources for a discreet look. **RAIL-LITE** is ideal as a retail solution with ultimate beam control and high color rendering. The spots can be adjusted laterally within the channel to target more accurately and the angling of the beam adjusts in 5° increments up to 45°. A CRI of 90 displays the true color of objects making merchandise more distinguishable.

## GENERAL SPECIFICATION

### Housing

Steel and aluminum, black finish internal and external.

### Rotating

360° limit.

### Reflectors

Narrow, medium and wide beam, highly reflective, specular finish, vacuum plated. Twist'N'Lock reflectors for on-site switching.

### Bezel trim version

Extruded aluminum. For installation into ceilings with a thickness range of 1/2" to 3/4" (12mm-19mm).

### PoE

Rail-Lite can integrate into your data network via Power over Ethernet (PoE) connectivity.

### LEDs

High power, LEDs can be replaced from below.

### Links

<http://www.bridgelux.com/products/v-series#specifications>

<http://www.xicato.com/xtm-led-module/overview>

### Reported L70 @25°C (77°F)

> 60,000 hrs.

### Notes

Photometric testing performed using LM79 procedures.

For all other reflectors types please consult photometric files.

Due to constant change in LEDs, please check our website for current product specifications.

Rail-Lite™ | Patent Pending (United States, Canada and European Patent Convention)

### Angling

0° to 45° in 5° intervals.

### LED Heat sink

Extruded aluminum.

### Drivers

Constant Current driver for 120-277V (EU-240V). Drivers can be replaced from below. The driver is integral to the fixture housing.

### Sliding

Individual heads can slide a maximum of 2/610mm left or right of its centre point.

### Electrical

Integral junction box for branch circuit through wiring.

### Delivered Lumens

Delivered lumens & LPW based on 3000K (min 80 CRI).

### Sensors

Consult factory regarding sensor compatibility.

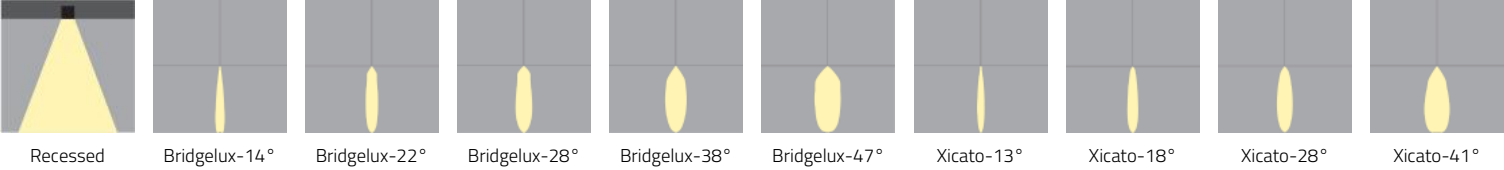
### Approvals

Damp Rated.



# RAIL-LITE™ - BEZEL TRIM (NON-CONTINUOUS)

## MOUNTING & OPTICS



Declare

# RAIL-LITE™ - BEZEL TRIM (NON-CONTINUOUS)

## HOW TO ORDER

### A. LUMINAIRE

**520112** 12" - 1 LED Head

**520148** 48" - 2 to 5 LED Heads

**520118** 18" - 1 or 2 LED Heads

**520160** 60" - 2 to 5 LED Heads

**520124** 24" - 2 or 3 LED Heads

**520172** 72" - 2 to 6 LED Heads

**520136** 36" - 2 to 4 LED Heads

**520196** 96" - 2 to 7 LED Heads

### B. NUMBER OF HEADS

**H01** 1 LED Head

**H05** 5 LED Heads

**H02** 2 LED Heads

**H06** 6 LED Heads

**H03** 3 LED Heads

**H07** 7 LED Heads

**H04** 4 LED Heads

### C. LEDS

**B27A** Bridgelux V18, 2700K, 80 CRI, 3069 lms

**B35A** Bridgelux V18, 3500K, 80 CRI, 3313 lms

**X30A** Xicato Standard, 3000K, 83 CRI, 2262 lms

**X27C** Xicato Artist, 2700K, 98 CRI, 2262 lms

**X30D** Xicato Vibrant V95, 3000K, 98 CRI, 2262 lms

**B27B** Bridgelux V18, 2700K, 90 CRI, 2397 lms

**B40A** Bridgelux V18, 4000K, 80 CRI, 3333 lms

**X35A** Xicato Standard, 3500K, 83 CRI, 2262 lms

**X30C** Xicato Artist, 3000K, 98 CRI, 2262 lms

**B30A** Bridgelux V18, 2700K, 80 CRI, 3218 lms

**B40B** Bridgelux V18, 4000K, 90 CRI, 2840 lms

**X40A** Xicato Standard, 4000K, 83 CRI, 2262 lms

**X35C** Xicato Artist, 3500K, 98 CRI, 2262 lms

**B30B** Bridgelux V18, 3000K, 90 CRI, 2498 lms

**X27A** Xicato Standard, 2700K, 83 CRI, 2262 lms

**X30B** Xicato Vibrant V80, 3000K, 83 CRI, 2262 lms

**X40C** Xicato Artist, 4000K, 98 CRI, 2262 lms

### D. APERTURE

**5W** Narrow

**6W** Medium

**9W** Wide

### E. BEZEL FINISH

**WH** White

**BL** Black Metallic Textured

**SL** Silver Metallic Textured

### F. BRIDGELUX REFLECTORS

**529001** Narrow Beam 14° (5" dia)

**529005** Wide Beam 47° (3" dia)

**529002** Medium Beam 22° (5" dia)

**529003** Medium Beam 38° (3" dia)

**529004** Narrow Beam 28° (3" dia)

### G. XICATO REFLECTORS

**529011** Narrow Beam 13° (5" dia)

**529012** Wide Beam 41° (5" dia)

**529013** Narrow Beam 18° (3" dia)

**529014** Medium Beam 28° (3" dia)

### H. DIMMING

**D1** 0-10V Dimming (1%)

**L1** Lutron L3DA3W Hi-Lume 1% 3 wire

**D2** 0-10V Dimming (0.1%)

**L2** Lutron LDE1 Hi-Lume 1% H EcoSystem

**DA** DALI Dimming (0.1%)

**DE** PoE

**DL** DALI Dimming (1%)

DE must be used with EV only.

### I. OPTIONAL LOW VOLTAGE

**EV** Low Voltage

To be used with DE only.



# RAIL-LITE™ - BEZEL TRIM (NON-CONTINUOUS)

## TECHNICAL DATA

### LUMINAIRE

|                       |                        |                        |                        |                        |                        |                        |
|-----------------------|------------------------|------------------------|------------------------|------------------------|------------------------|------------------------|
| <b>Code</b>           | <b>520112</b>          | <b>520118</b>          | <b>520124</b>          | <b>520136</b>          | <b>520148</b>          | <b>520160</b>          |
| <b>Fixture Length</b> | 12" - 1 LED Head       | 18" - 1 or 2 LED Heads | 24" - 2 or 3 LED Heads | 36" - 2 to 4 LED Heads | 48" - 2 to 5 LED Heads | 60" - 2 to 5 LED Heads |
| <b>Code</b>           | <b>520172</b>          | <b>520196</b>          |                        |                        |                        |                        |
| <b>Fixture Length</b> | 72" - 2 to 6 LED Heads | 96" - 2 to 7 LED Heads |                        |                        |                        |                        |

### LED TYPE

|                      |               |                 |                 |                 |                    |                    |
|----------------------|---------------|-----------------|-----------------|-----------------|--------------------|--------------------|
| <b>Code</b>          | <b>B27A</b>   | <b>B27B</b>     | <b>B30A</b>     | <b>B30B</b>     | <b>B35A</b>        | <b>B40A</b>        |
| <b>Type</b>          | Bridgelux V18 | Bridgelux V18   | Bridgelux V18   | Bridgelux V18   | Bridgelux V18      | Bridgelux V18      |
| <b>CCT</b>           | 2700K         | 2700K           | 2700K           | 3000K           | 3500K              | 4000K              |
| <b>CRI</b>           | 80            | 90              | 80              | 90              | 80                 | 80                 |
| <b>Power</b>         | 38W           | 38W             | 38W             | 38W             | 38W                | 38W                |
| <b>Delivered lms</b> | 3069          | 2397            | 3218            | 2498            | 3313               | 3333               |
| <b>LPW</b>           | 80            | 63              | 84              | 65              | 87                 | 87                 |
| <b>CBCP</b>          | 29964         | 23408           | 31423           | 24391           | 32349              | 32541              |
| <b>Code</b>          | <b>B40B</b>   | <b>X27A</b>     | <b>X30A</b>     | <b>X35A</b>     | <b>X40A</b>        | <b>X30B</b>        |
| <b>Type</b>          | Bridgelux V18 | Xicato Standard | Xicato Standard | Xicato Standard | Xicato Standard    | Xicato Vibrant V80 |
| <b>CCT</b>           | 4000K         | 2700K           | 3000K           | 3500K           | 4000K              | 3000K              |
| <b>CRI</b>           | 90            | 83              | 83              | 83              | 83                 | 83                 |
| <b>Power</b>         | 38W           | 36W             | 36W             | 36W             | 36W                | 36W                |
| <b>Delivered lms</b> | 2840          | 2262            | 2262            | 2262            | 2262               | 2262               |
| <b>LPW</b>           | 74            | 62              | 62              | 62              | 62                 | 62                 |
| <b>CBCP</b>          | 27732         | 6201            | 6201            | 6201            | 6201               | 6201               |
| <b>Code</b>          | <b>X27C</b>   | <b>X30C</b>     | <b>X35C</b>     | <b>X40C</b>     | <b>X30D</b>        |                    |
| <b>Type</b>          | Xicato Artist | Xicato Artist   | Xicato Artist   | Xicato Artist   | Xicato Vibrant V95 |                    |
| <b>CCT</b>           | 2700K         | 3000K           | 3500K           | 4000K           | 3000K              |                    |
| <b>CRI</b>           | 98            | 98              | 98              | 98              | 98                 |                    |
| <b>Power</b>         | 41W           | 41W             | 41W             | 41W             | 41W                |                    |
| <b>Delivered lms</b> | 2262          | 2262            | 2262            | 2262            | 2262               |                    |
| <b>LPW</b>           | 55            | 55              | 55              | 55              | 55                 |                    |
| <b>CBCP</b>          | 6201          | 6201            | 6201            | 6201            | 6201               |                    |

### APERTURE

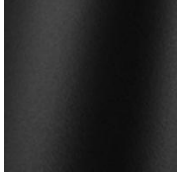
|                 |           |           |           |
|-----------------|-----------|-----------|-----------|
| <b>Code</b>     | <b>5W</b> | <b>6W</b> | <b>9W</b> |
| <b>Aperture</b> | Narrow    | Medium    | Wide      |
| <b>A</b>        | 5"        | 6.5"      | 9"        |

# RAIL-LITE™ - BEZEL TRIM (NON-CONTINUOUS)

## BEZEL FINISH



White



Black Metallic Textured



Silver Metallic Textured

## APPROVALS



DAMP  
LOCATION

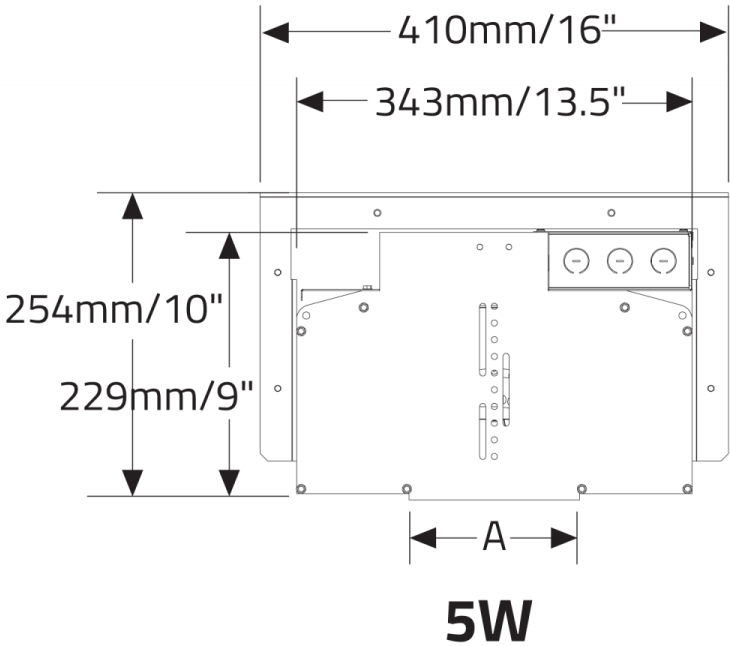
IP20



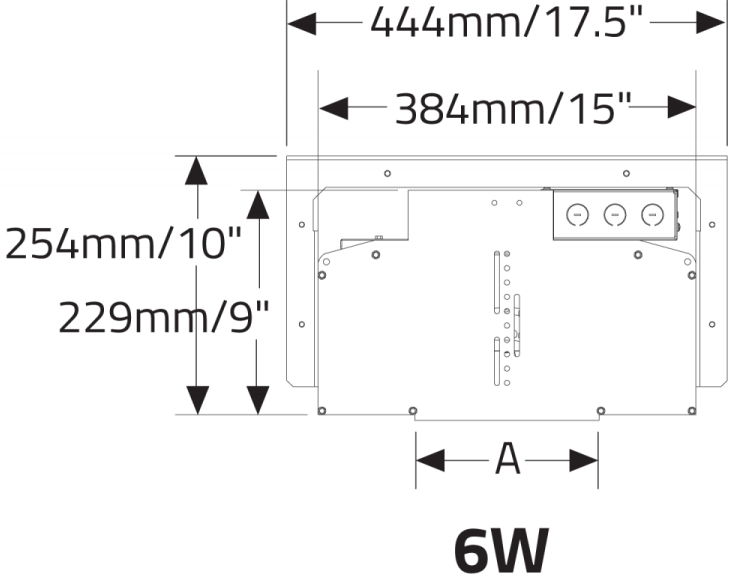
# RAIL-LITE™ - BEZEL TRIM (NON-CONTINUOUS)

## DIMENSIONAL DIAGRAMS

Narrow Aperture



Medium Aperture



Wide Aperture

