

RAIL-LITE™ - BEZEL TRIM (NON-CONTINUOUS)



Project Name:

Fixture Type:

Fixture Code:

Quantities:

A. LUMINAIRE

520112 12" - 1 LED Head

520118 18" - 1 or 2 LED Heads

520124 24" - 2 or 3 LED Heads

520136 36" - 2 to 4 LED Heads

520148 48" - 2 to 5 LED Heads

520160 60" - 2 to 5 LED Heads

520172 72" - 2 to 6 LED Heads

520196 96" - 2 to 7 LED Heads

B. NUMBER OF HEADS

H01 1 LED Head

H02 2 LED Heads

H03 3 LED Heads

H04 4 LED Heads

H05 5 LED Heads

H06 6 LED Heads

H07 7 LED Heads

C. LEDS

B27A Bridgelux V18, 2700K, 80 CRI, 3069 lms

B27B Bridgelux V18, 2700K, 90 CRI, 2397 lms

B30A Bridgelux V18, 2700K, 80 CRI, 3218 lms

B30B Bridgelux V18, 3000K, 90 CRI, 2498 lms

B35A Bridgelux V18, 3500K, 80 CRI, 3313 lms

B40A Bridgelux V18, 4000K, 80 CRI, 3333 lms

B40B Bridgelux V18, 4000K, 90 CRI, 2840 lms

X27A Xicato Standard, 2700K, 83 CRI, 2262 lms

X30A Xicato Standard, 3000K, 83 CRI, 2262 lms

X35A Xicato Standard, 3500K, 83 CRI, 2262 lms

X40A Xicato Standard, 4000K, 83 CRI, 2262 lms

X30B Xicato Vibrant V80, 3000K, 83 CRI, 2262 lms

X27C Xicato Artist, 2700K, 98 CRI, 2262 lms

X30C Xicato Artist, 3000K, 98 CRI, 2262 lms

X35C Xicato Artist, 3500K, 98 CRI, 2262 lms

X40C Xicato Artist, 4000K, 98 CRI, 2262 lms

X30D Xicato Vibrant V95, 3000K, 98 CRI, 2262 lms

D. APERTURE

5W Narrow

6W Medium

9W Wide

E. BEZEL FINISH

WH White

BL Black Metallic Textured

SL Silver Metallic Textured

F. BRIDGELUX REFLECTORS

529001 Narrow Beam 14° (5" dia)

529002 Medium Beam 22° (5" dia)

529003 Medium Beam 38° (3" dia)

529004 Narrow Beam 28° (3" dia)

529005 Wide Beam 47° (3" dia)

G. XICATO REFLECTORS

529011 Narrow Beam 13° (5" dia)

529012 Wide Beam 41° (5" dia)

529013 Narrow Beam 18° (3" dia)

529014 Medium Beam 28° (3" dia)

H. DIMMING

D1 0-10V Dimming (1%)

D2 0-10V Dimming (0.1%)

DA DALI Dimming (0.1%)

DL DALI Dimming (1%)

L1 Lutron L3DA3W Hi-Lume 1% 3 wire

L2 Lutron LDE1 Hi-Lume 1% H EcoSystem

DE PoE

DE must be used with EV only.

I. OPTIONAL LOW VOLTAGE

EV Low Voltage

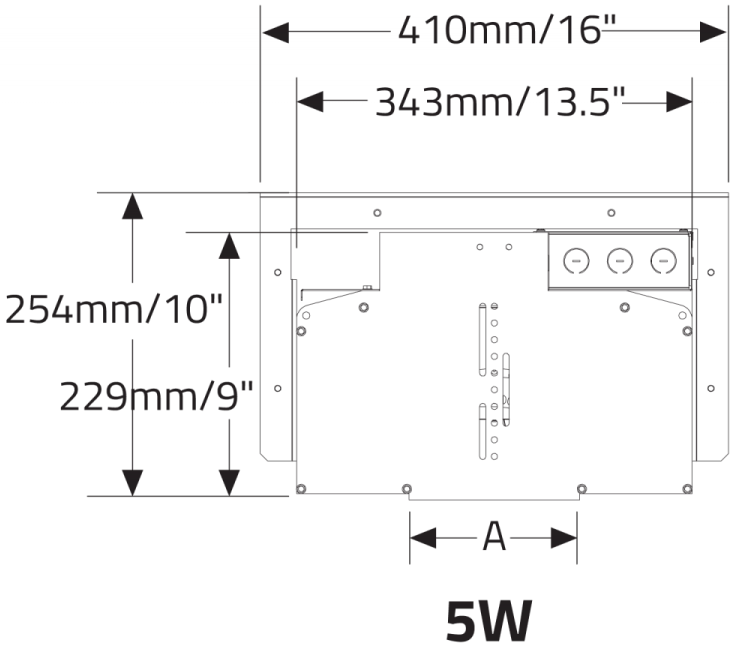
To be used with DE only.



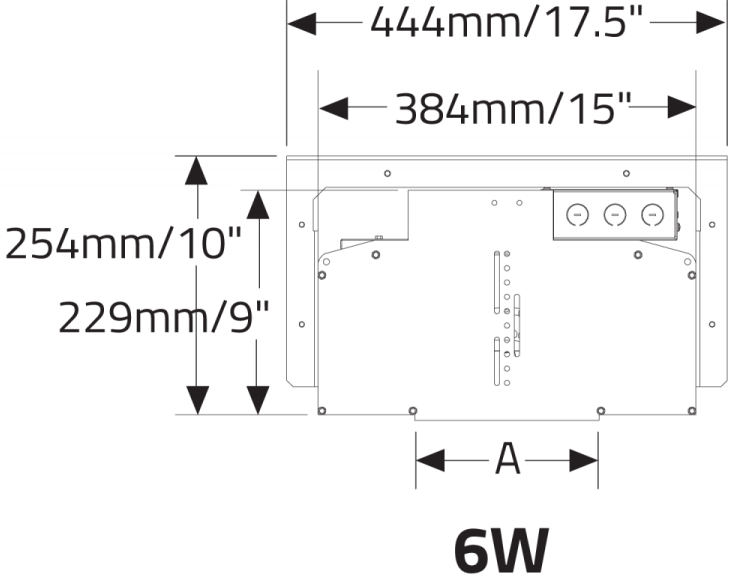
RAIL-LITE™ - BEZEL TRIM (NON-CONTINUOUS)

DIMENSIONAL DIAGRAMS

Narrow Aperture



Medium Aperture



Wide Aperture

