

# RAIL-LITE II™ - SUSPENDED

Project Name:

Fixture Type:

Fixture Code:

Quantities:



RAIL-LITE II™ - SUSPENDED



# RAIL-LITE II™ - SUSPENDED

The multiple spot system complements architectural elements and conceals the light sources for a discreet look. **RAIL-LITE II** sections connect solely mechanically and can run distances as required for the space with L, T, and X connections to feed light where it is needed. RAIL-LITE is ideal as a retail solution with ultimate beam control and high color rendering. The spots can be adjusted laterally within the channel to target merchandise more accurately; glare and light spill can be controlled with Hex Louver, Snoot, and Cross Baffle accessories. A CRI of 90 displays the true color of merchandise and makes them more distinguishable.

## GENERAL SPECIFICATION

### Housing

Steel and aluminum.

### Suspension

Stainless steel cables.

### Reflectors

Highly reflective, specular finish.

### LEDs

High power, LEDs can be replaced from below.

### Sliding

Individual heads can slide a maximum of 305mm/12" left or right of its centre point.

### PoE

Rail-Lite II can integrate into your data network via Power over Ethernet (PoE) connectivity.

### Sensors

Consult factory regarding sensor compatibility.

### Approvals

Damp Rated.

### Finish

Powder coated.

### Power cable

Silver braided.

### LED heat sink

Extruded aluminum.

### Aperture

133.35mm/5.25"

### Drivers

Constant Current driver for 120-277V (EU-240V). The driver is integral to the fixture housing.

### Mechanical

Luminaires mount directly over J box (by others - North America only).

### Reported L70 @25°C (77°F)

> 60,000 hrs.

### Links

<http://www.bridgelux.com/products/v-series#specifications>

## MOUNTING & OPTICS



Suspended Direct

21°

40°

64°

Declare



# RAIL-LITE II™ - SUSPENDED

## HOW TO ORDER

### A. LUMINAIRE

<b>AJ0</b> 12", 1 head	<b>AJ1</b> 18", 1 head	<b>AJ2</b> 24", 1 head	<b>AJ3</b> 24", 2 head
<b>AJ4</b> 36", 2 head	<b>AJ5</b> 36", 3 head	<b>AJ6</b> 48", 2 head	<b>AJ7</b> 48", 3 head
<b>AJ8</b> 48", 4 head	<b>AJ9</b> 60", 2 head	<b>AJ10</b> 60", 3 head	<b>AJ11</b> 60", 4 head
<b>AJ12</b> 60", 5 head	<b>AJ13</b> 72", 2 head	<b>AJ14</b> 72", 3 head	<b>AJ15</b> 72", 4 head
<b>AJ16</b> 72", 5 head	<b>AJ17</b> 72", 6 head	<b>AJ18</b> 84", 2 head	<b>AJ19</b> 84", 3 head
<b>AJ20</b> 84", 4 head	<b>AJ21</b> 84", 5 head	<b>AJ22</b> 84", 6 head	<b>AJ23</b> 84", 7 head

All heads are spaced equally, for custom spacing consult factory. Individual heads can slide a maximum of 305mm/12" left or right of its centre point.

### B. LEDS

<b>BA1</b> Bridgelux, 2700K, 80 CRI, 2914 lms	<b>BA2</b> Bridgelux, 3000K, 80 CRI, 3028 lms	<b>BA3</b> Bridgelux, 3500K, 80 CRI, 3125 lms	<b>BA4</b> Bridgelux, 4000K, 80 CRI, 3133 lms
<b>BA5</b> Bridgelux, 2700K, 90 CRI, 2431 lms	<b>BA6</b> Bridgelux, 3000K, 90 CRI, 2527 lms	<b>BA7</b> Bridgelux, 3500K, 90 CRI, 2605 lms	<b>BA8</b> Bridgelux, 4000K, 90 CRI, 2692 lms

### C. REFLECTOR

<b>R1</b> Narrow 21°	<b>R2</b> Medium 40°	<b>R3</b> Wide 64°
----------------------	----------------------	--------------------

### D. HOUSING FINISH

<b>F1</b> White	<b>F2</b> Black Metallic Textured	<b>F20</b> Silver Metallic Textured
-----------------	-----------------------------------	-------------------------------------

### E. GIMBAL FINISH

<b>N1</b> White	<b>N24</b> Black Anodized	<b>N26</b> Silver Anodized
-----------------	---------------------------	----------------------------

### F. DIMMING

<b>D1</b> Dimming 0-10V (1.0%)	<b>D2</b> Dimming 0-10V (0.1%)	<b>D4</b> DALI Dimming (0.1%)	<b>D5</b> DALI Dimming (1.0%)
<b>D8</b> Lutron L3DA3W Hi-Lume 1% 3Wire	<b>D9</b> Lutron LDE1 Hi-Lume 1% H EcoSystem	<b>DA45</b> PoE	

DA45 must be used with EV only.

### G. OPTIONS

<b>V1</b> Snoot - Black	<b>V2</b> Hex Cell Louver - Black	<b>V3</b> Cross Baffle - Black
-------------------------	-----------------------------------	--------------------------------

### H. OPTIONAL LOW VOLTAGE

**EV** Low Voltage

To be used with DA45 only.

# RAIL-LITE II™ - SUSPENDED

## TECHNICAL DATA

### LUMINAIRE

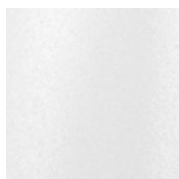
All heads are spaced equally, for custom spacing consult factory. Individual heads can slide a maximum of 305mm/12" left or right of its centre point.

<b>Code</b>	<b>AJ0</b>	<b>AJ1</b>	<b>AJ2</b>	<b>AJ3</b>	<b>AJ4</b>	<b>AJ5</b>
<b>Length (L)</b>	12"	18"	24"	24"	36"	36"
<b># of Heads</b>	1	1	1	2	2	3
<b>Code</b>	<b>AJ6</b>	<b>AJ7</b>	<b>AJ8</b>	<b>AJ9</b>	<b>AJ10</b>	<b>AJ11</b>
<b>Length (L)</b>	48"	48"	48"	60"	60"	60"
<b># of Heads</b>	2	3	4	2	3	4
<b>Code</b>	<b>AJ12</b>	<b>AJ13</b>	<b>AJ14</b>	<b>AJ15</b>	<b>AJ16</b>	<b>AJ17</b>
<b>Length (L)</b>	60"	72"	72"	72"	72"	72"
<b># of Heads</b>	5	2	3	4	5	6
<b>Code</b>	<b>AJ18</b>	<b>AJ19</b>	<b>AJ20</b>	<b>AJ21</b>	<b>AJ22</b>	<b>AJ23</b>
<b>Length (L)</b>	84"	84"	84"	84"	84"	84"
<b># of Heads</b>	2	3	4	5	6	7

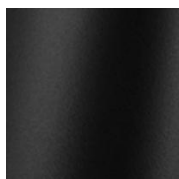
### LEDS

<b>Code</b>	<b>BA1</b>	<b>BA2</b>	<b>BA3</b>	<b>BA4</b>	<b>BA5</b>	<b>BA6</b>
<b>Manufacturer</b>	Bridgelux	Bridgelux	Bridgelux	Bridgelux	Bridgelux	Bridgelux
<b>CCT</b>	2700K	3000K	3500K	4000K	2700K	3000K
<b>CRI</b>	80	80	80	80	90	90
<b>Wattage</b>	28W	28W	28W	28W	28W	28W
<b>Delivered lms</b>	2914	3028	3125	3133	2431	2527
<b>LPW</b>	104	108	112	112	87	90
<b>Code</b>	<b>BA7</b>	<b>BA8</b>				
<b>Manufacturer</b>	Bridgelux	Bridgelux				
<b>CCT</b>	3500K	4000K				
<b>CRI</b>	90	90				
<b>Wattage</b>	28W	28W				
<b>Delivered lms</b>	2605	2692				
<b>LPW</b>	93	96				

### HOUSING FINISH



White



Black Metallic Textured



Silver Metallic Textured



# RAIL-LITE II™ - SUSPENDED

## GIMBAL FINISH



White

Black Anodized

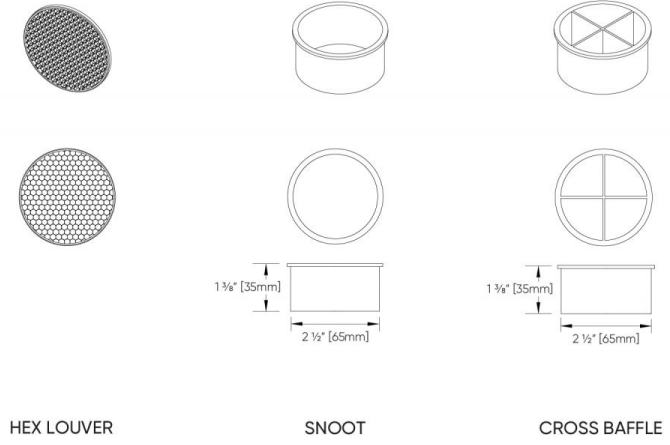
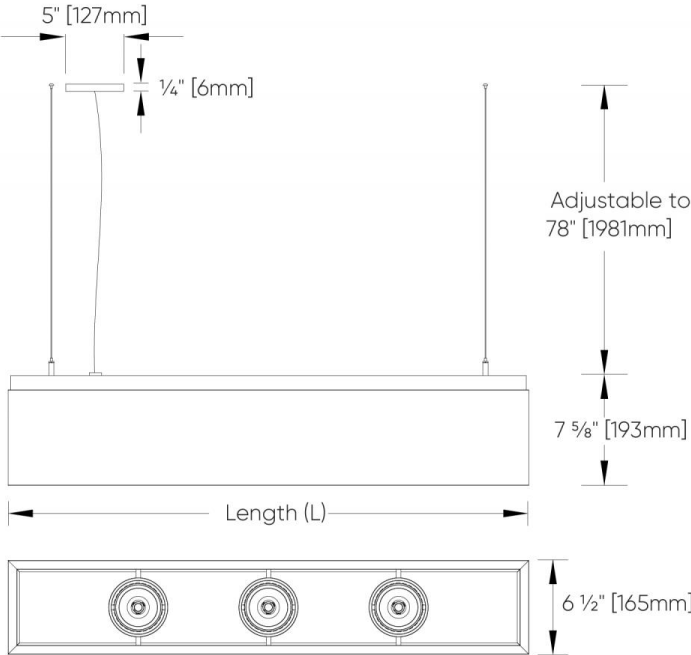
Silver Anodized

## APPROVALS



# RAIL-LITE II™ - SUSPENDED

## DIMENSIONAL DIAGRAMS



### Adjustability of Heads

