

RAIL-LITE II™ - SUSPENDED



Project Name:

Fixture Type:

Fixture Code:

Quantities:

A. LUMINAIRE

AJ0 12", 1 head	AJ1 18", 1 head	AJ2 24", 1 head	AJ3 24", 2 head
AJ4 36", 2 head	AJ5 36", 3 head	AJ6 48", 2 head	AJ7 48", 3 head
AJ8 48", 4 head	AJ9 60", 2 head	AJ10 60", 3 head	AJ11 60", 4 head
AJ12 60", 5 head	AJ13 72", 2 head	AJ14 72", 3 head	AJ15 72", 4 head
AJ16 72", 5 head	AJ17 72", 6 head	AJ18 84", 2 head	AJ19 84", 3 head
AJ20 84", 4 head	AJ21 84", 5 head	AJ22 84", 6 head	AJ23 84", 7 head

All heads are spaced equally, for custom spacing consult factory. Individual heads can slide a maximum of 305mm/12" left or right of its centre point.

B. LEDS

BA1 Bridgelux, 2700K, 80 CRI, 2914 lms	BA2 Bridgelux, 3000K, 80 CRI, 3028 lms	BA3 Bridgelux, 3500K, 80 CRI, 3125 lms	BA4 Bridgelux, 4000K, 80 CRI, 3133 lms
BA5 Bridgelux, 2700K, 90 CRI, 2431 lms	BA6 Bridgelux, 3000K, 90 CRI, 2527 lms	BA7 Bridgelux, 3500K, 90 CRI, 2605 lms	BA8 Bridgelux, 4000K, 90 CRI, 2692 lms

C. REFLECTOR

R1 Narrow 21°	R2 Medium 40°	R3 Wide 64°
----------------------	----------------------	--------------------

D. HOUSING FINISH

F1 White	F2 Black Metallic Textured	F20 Silver Metallic Textured
-----------------	-----------------------------------	-------------------------------------

E. GIMBAL FINISH

N1 White	N24 Black Anodized	N26 Silver Anodized
-----------------	---------------------------	----------------------------

F. DIMMING

D1 Dimming 0-10V (1.0%)	D2 Dimming 0-10V (0.1%)	D4 DALI Dimming (0.1%)	D5 DALI Dimming (1.0%)
D8 Lutron L3DA3W Hi-Lume 1% 3Wire	D9 Lutron LDE1 Hi-Lume 1% H EcoSystem	DA45 PoE	

DA45 must be used with EV only.

G. OPTIONS

V1 Snoot - Black	V2 Hex Cell Louver - Black	V3 Cross Baffle - Black
-------------------------	-----------------------------------	--------------------------------

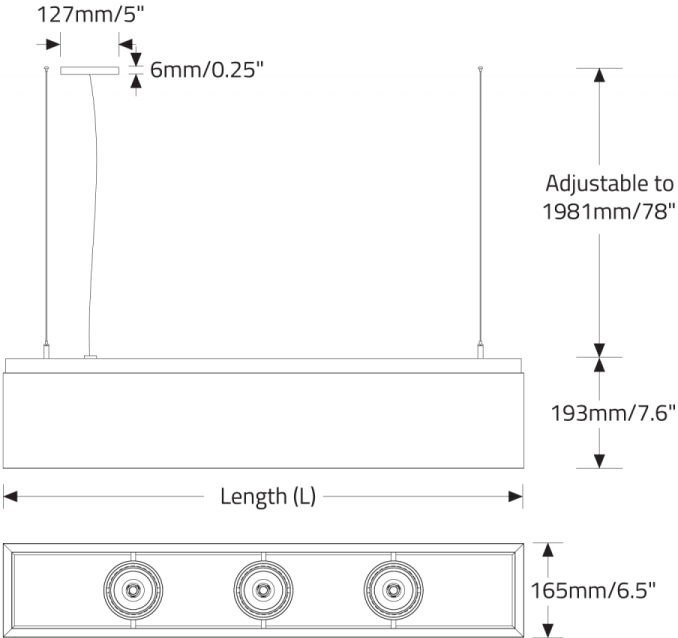
H. OPTIONAL LOW VOLTAGE

EV Low Voltage

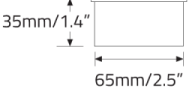
To be used with DA45 only.

RAIL-LITE II™ - SUSPENDED

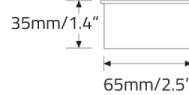
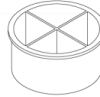
DIMENSIONAL DIAGRAMS



HEX LOUVER



SNOOT



CROSS BAFFLE