

# RAIL-LITE II™ - RECESSED



Project Name:

Fixture Type:

Fixture Code:

Quantities:

## A. LUMINAIRE

<b>AK0</b> 12", 1 head	<b>AK1</b> 18", 1 head	<b>AK2</b> 24", 1 head	<b>AK3</b> 24", 2 head
<b>AK4</b> 36", 2 head	<b>AK5</b> 36", 3 head	<b>AK6</b> 48", 2 head	<b>AK7</b> 48", 3 head
<b>AK8</b> 48", 4 head	<b>AK9</b> 60", 2 head	<b>AK10</b> 60", 3 head	<b>AK11</b> 60", 4 head
<b>AK12</b> 60", 5 head	<b>AK13</b> 72", 2 head	<b>AK14</b> 72", 3 head	<b>AK15</b> 72", 4 head
<b>AK16</b> 72", 5 head	<b>AK17</b> 72", 6 head	<b>AK18</b> 84", 2 head	<b>AK19</b> 84", 3 head
<b>AK20</b> 84", 4 head	<b>AK21</b> 84", 5 head	<b>AK22</b> 84", 6 head	<b>AK23</b> 84", 7 head

All heads are spaced equally, for custom spacing consult factory. Individual heads can slide a maximum of 305mm/12" left or right of its centre point.

## B. LEDS

<b>BA1</b> Bridgelux, 2700K, 80 CRI, 2914 lms	<b>BA2</b> Bridgelux, 3000K, 80 CRI, 3028 lms	<b>BA3</b> Bridgelux, 3500K, 80 CRI, 3125 lms	<b>BA4</b> Bridgelux, 4000K, 80 CRI, 3133 lms
<b>BA5</b> Bridgelux, 2700K, 90 CRI, 2431 lms	<b>BA6</b> Bridgelux, 3000K, 90 CRI, 2527 lms	<b>BA7</b> Bridgelux, 3500K, 90 CRI, 2605 lms	<b>BA8</b> Bridgelux, 4000K, 90 CRI, 2692 lms

## C. REFLECTOR

<b>R1</b> Narrow 21°	<b>R2</b> Medium 40°	<b>R3</b> Wide 64°
----------------------	----------------------	--------------------

## D. HOUSING

<b>F1</b> White	<b>F2</b> Black Metallic Textured	<b>F20</b> Silver Metallic Textured
-----------------	-----------------------------------	-------------------------------------

## E. GIMBAL FINISH

<b>N1</b> White	<b>N24</b> Black Anodized	<b>N26</b> Silver Anodized
-----------------	---------------------------	----------------------------

## F. TRIM

<b>B0</b> Trimless - no trim required	<b>B1</b> Bezel trim - White	<b>B2</b> Bezel trim - Black	<b>B20</b> Bezel trim - Metallic Silver
---------------------------------------	------------------------------	------------------------------	---

## G. DIMMING

<b>D1</b> Dimming 0-10V (1.0%)	<b>D2</b> Dimming 0-10V (0.1%)	<b>D4</b> DALI Dimming (0.1%)	<b>D5</b> DALI Dimming (1.0%)
<b>D8</b> Lutron L3DA3W Hi-Lume 1% 3 Wire	<b>D9</b> Lutron LDE1 Hi-Lume 1% H EcoSystem	<b>DA45</b> PoE	

DA45 must be used with EV only.

## H. OPTIONS

<b>V1</b> Snoot - Black	<b>V2</b> Hex Cell Louver - Black	<b>V3</b> Cross Baffle - Black
-------------------------	-----------------------------------	--------------------------------

## I. OPTIONAL LOW VOLTAGE

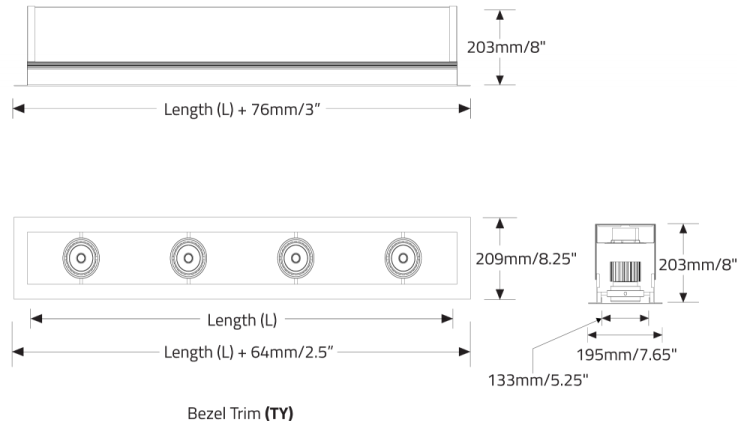
**EV** Low Voltage

To be used with DA45 only.

# RAIL-LITE II™ - RECESSED

## DIMENSIONAL DIAGRAMS

Bezel Trim (TY)



Trimless (TN)

