

RAIL-LITE™ - CONTINUOUS RUN TRIMLESS

Project Name:

Fixture Type:

Fixture Code:

Quantities:



RAIL-LITE™ - CONTINUOUS RUN TRIMLESS



RAIL-LITE™ - CONTINUOUS RUN TRIMLESS

The trimless channel system blends into architecture and conceals the light sources for a seamless look. **RAIL-LITE** sections connect solely mechanically and can run distances as required for the space with L, T, and X connections to feed light where it is needed. RAIL-LITE is ideal as a retail solution with ultimate beam control and high color rendering. The spots can be adjusted laterally within the channel to target more accurately and the angling of the beam adjusts in 5° increments up to 45°. A CRI of 90 displays the true color of objects making merchandise more distinguishable.

GENERAL SPECIFICATION

Housing

Steel and aluminum, black finish internal and external.

Rotating

360° limit.

Trimless version

For installation into drywall (plasterboard) ceilings with a thickness range of 1/2" to 3/4" (12mm-19mm). Trimless flange supplied in raw aluminum.

Drivers

Constant Current driver for 120-277V (EU-240V). Drivers can be replaced from below. The driver is integral to the fixture housing.

PoE

Rail-Lite can integrate into your data network via Power over Ethernet (PoE) connectivity.

LEDs

High power, LEDs can be replaced from below.

Links

<https://www.bridgelux.com/products/v-series#specifications>

<https://www.xicato.com/products/light-sources/xtm/>

Reported L70 @25°C (77°F)

> 60,000 hrs.

Note

Continuous runs connect mechanically but do not connect electrically. Each module requires a power supply. Power can be daisy chained from one module to another. LED heads slide as far as the inside corner of Corner, T Junction and X Junction accessories.

Rail-Lite™ | Patent Pending (United States, Canada and European Patent Convention)

Angling

0° to 45° in 5° intervals.

Electrical

Integral junction box for branch circuit through wiring.

Reflectors

Narrow, medium and wide beam, highly reflective, specular finish, vacuum plated. Twist'N'Lock reflectors for on-site switching.

Sliding

Individual heads can slide a maximum of 2'/610mm left or right of its centre point.

Sensors

Consult factory regarding sensor compatibility.

LED Heat sink

Extruded aluminum.

Delivered Lumens

Delivered lumens & LPW based on 3000K (min 80 CRI).

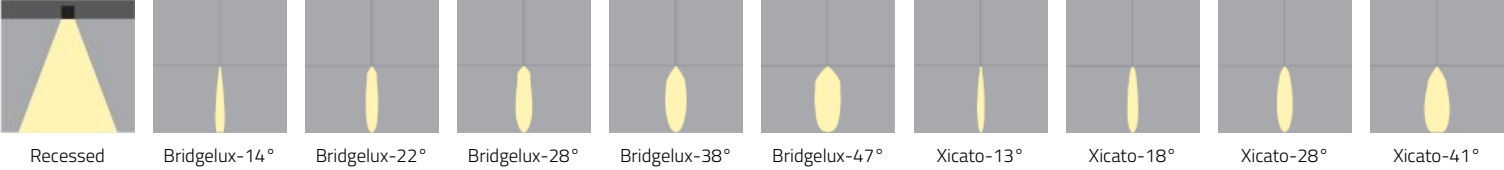
Approvals

Damp Rated.



RAIL-LITE™ - CONTINUOUS RUN TRIMLESS

MOUNTING & OPTICS



Declare

RAIL-LITE™ - CONTINUOUS RUN TRIMLESS

HOW TO ORDER

A. LUMINAIRE

527148 48" - 3 to 5 LED Heads

527196 96" - 3 to 7 LED Heads

527144 144" - 4 to 10 LED Heads

We highly recommend you supply a drawing to allow us to verify you have quoted correctly.

A drawing will be required at the time of order placement.

This fixture is continuous run only if you require individual fixtures please order the non-continuous run version.

B. NUMBER OF HEADS

H03 3 LED Heads

H04 4 LED Heads

H05 5 LED Heads

H06 6 LED Heads

H07 7 LED Heads

H08 8 LED Heads

H09 9 LED Heads

H10 10 LED Heads

C. LED TYPE

B27A Bridgelux V18, 2700K, 80 CRI, 3069 lms

B27B Bridgelux V18, 2700K, 90 CRI, 2397 lms

B30A Bridgelux V18, 3000K, 80 CRI, 3218 lms

B30B Bridgelux V18, 3000K, 90 CRI, 2498 lms

B35A Bridgelux V18, 3500K, 80 CRI, 3313 lms

B40A Bridgelux V18, 4000K, 80 CRI, 3333 lms

B40B Bridgelux V18, 4000K, 90 CRI, 2840 lms

X27A Xicato Standard, 2700K, 83 CRI, 2262 lms

X30A Xicato Standard, 3000K, 83 CRI, 2262 lms

X35A Xicato Standard, 3500K, 83 CRI, 2262 lms

X40A Xicato Standard, 4000K, 83 CRI, 2262 lms

X30B Xicato Vib V80, 3000K, 83 CRI, 2262 lms

X27C Xicato Artist, 2700K, 98 CRI, 2262 lms

X30C Xicato Artist, 3000K, 98 CRI, 2262 lms

X35C Xicato Artist, 3500K, 98 CRI, 2262 lms

X40C Xicato Artist, 4000K, 98 CRI, 2262 lms

X30D Xicato Vib V95, 3000K, 98 CRI, 2262 lms

D. PROFILE APERTURE

5W Narrow

6W Medium

9W Wide

E. BRIDGELUX REFLECTORS

529001 Narrow Beam 14° (5" dia)

529002 Medium Beam 22° (5" dia)

529003 Medium Beam 38° (3" dia)

529004 Narrow Beam 28° (3" dia)

529005 Wide Beam 47° (3" dia)

F. XICATO REFLECTORS

529011 Narrow Beam 13° (5" dia)

529012 Wide Beam 41° (5" dia)

529013 Narrow Beam 18° (3" dia)

529014 Medium Beam 28° (3" dia)

G. END CAPS (MINIMUM OF 2/CONFIGURATION REQUIRED)

529151 Narrow Aperture (5W) End Caps

529161 Medium Aperture (6W) End Caps

529191 Wide Aperture (9W) End Caps

H. DIMMING OPTIONS

D1 0-10V Dimming (1%)

D2 0-10V Dimming (0.1%)

DA DALI dimming (0.1%)

DL DALI dimming (1%)

L1 Lutron L3DA3W Hi-Lume 1%, 3 Wire

L2 Lutron LDE1 Hi-Lume 1% H Eco System

DE PoE

DE must be used with EV only.

I. CORNER - WIDTH & LENGTH (419MM/16.5")

529152 Narrow Aperture (5W) Corner

529162 Medium Aperture (6W) Corner

529192 Wide Aperture (9W) Corner

J. T JUNCTION - WIDTH (439MM/17.3"), LENGTH (419MM/16.5")

529153 Narrow Aperture (5W) T Junction

529163 Medium Aperture (6W) T Junction

529193 Wide Aperture (9W) T Junction



RAIL-LITE™ - CONTINUOUS RUN TRIMLESS

K. X JUNCTION - WIDTH & LENGTH (439MM/17.3")

529154 Narrow Aperture (5W) X
Junction

529164 Medium Aperture (6W) X
Junction

529194 Wide Aperture (9W) X Junction

L. OPTIONAL LOW VOLTAGE

EV Low Voltage

To be used with DE only.



RAIL-LITE™ - CONTINUOUS RUN TRIMLESS

TECHNICAL DATA

LUMINAIRE

We highly recommend you supply a drawing to allow us to verify you have quoted correctly.

A drawing will be required at the time of order placement.

This fixture is continuous run only if you require individual fixtures please order the non-continuous run version.

Code	527148	527196	527144
Fixture Length	48" - 3 to 5 LED	96" - 3 to 7 LED	144" - 4 to 10 LED
	Heads	Heads	Heads

LED TYPE

Code	B27A	B27B	B30A	B30B	B35A	B40A
Manufacturer/Type	Bridgelux V18	Bridgelux V18	Bridgelux V18	Bridgelux V18	Bridgelux V18	Bridgelux V18
CCT	2700K	2700K	3000K	3000K	3500K	4000K
CRI	80	90	80	90	80	80
Power	38W	38W	38W	38W	38W	38W
Delivered lms	3069	2397	3218	2498	3313	3333
LPW	80	63	84	65	87	87
CBCP	29964	23408	31423	24391	32349	32541

Code	B40B	X27A	X30A	X35A	X40A	X30B
Manufacturer/Type	Bridgelux V18	Xicato Standard	Xicato Standard	Xicato Standard	Xicato Standard	Xicato Vib V80
CCT	4000K	2700K	3000K	3500K	4000K	3000K
CRI	90	83	83	83	83	83
Power	38W	36W	36W	36W	36W	36W
Delivered lms	2840	2262	2262	2262	2262	2262
LPW	74	62	62	62	62	62
CBCP	27732	6201	6201	6201	6201	6201

Code	X27C	X30C	X35C	X40C	X30D
Manufacturer/Type	Xicato Artist	Xicato Artist	Xicato Artist	Xicato Artist	Xicato Vib V95
CCT	2700K	3000K	3500K	4000K	3000K
CRI	98	98	98	98	98
Power	41W	41W	41W	41W	41W
Delivered lms	2262	2262	2262	2262	2262
LPW	55	55	55	55	55
CBCP	6201	6201	6201	6201	6201

PROFILE APERTURE

Code	5W	6W	9W
Aperture	Narrow	Medium	Wide
A	5"	6.5"	9"

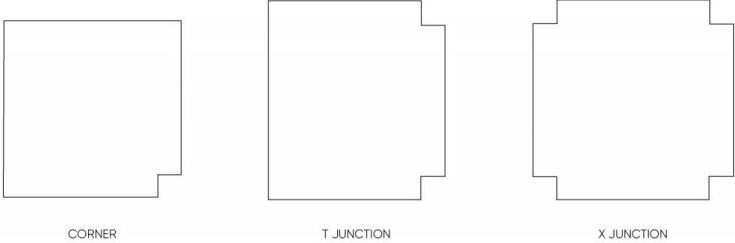
RAIL-LITE™ - CONTINUOUS RUN TRIMLESS

APPROVALS

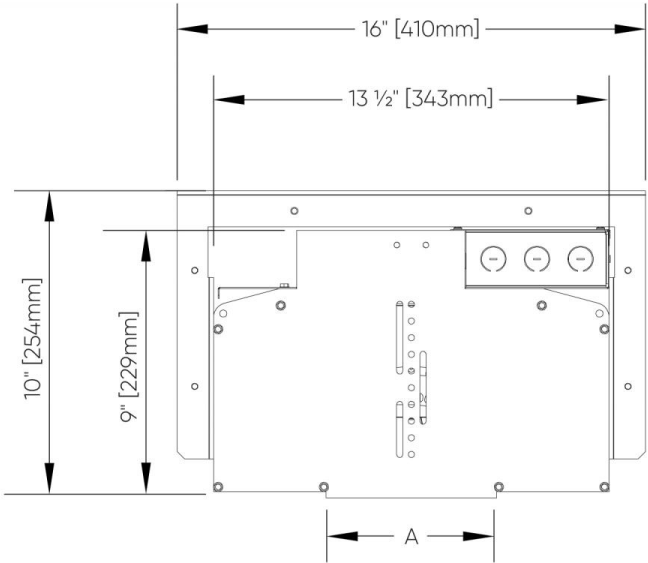


RAIL-LITE™ - CONTINUOUS RUN TRIMLESS

DIMENSIONAL DIAGRAMS

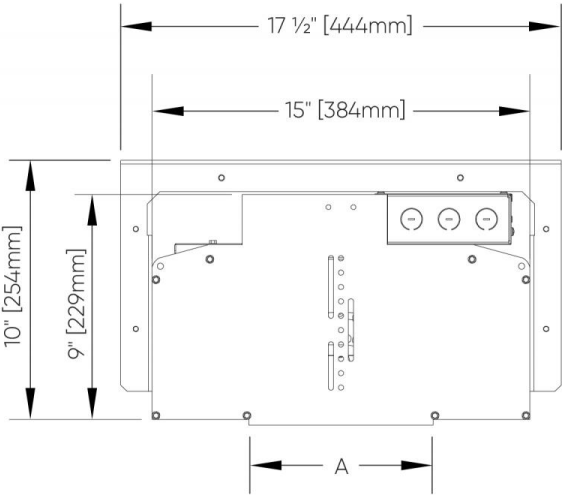


Narrow Aperture



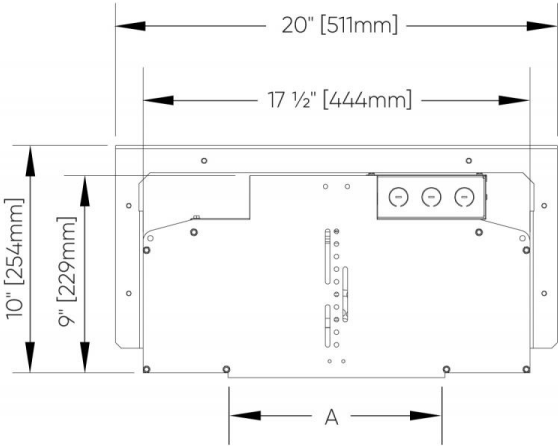
5W

Medium Aperture



6W

Wide Aperture



9W